

# INSTALLATION MANUAL

# TRAILER HITCH

## Level of Difficulty

Easy

## Parts List - Starter Kit

Item	Qty	Description
1	1	Base
2	1	Top frame
3	2	Upright post
4	2	Extension tube
5	2	Floor brace beam
6	6	Leveler, 5/16"-18 x 1"
7	8	Short screw, 5/16"-18 x 1/2"
8	10	Long screw, 5/16"-18 x 2"
9	1	Allen wrench, 3/16"

## Parts List - Trailer Hitch Components

Item	Qty	Description
10	2	Crossbar with receiver
11	16	Medium screw, 5/16"-18 x 1-1/2" (four per upright frame)
12	2	Hitch adapter post
13	2	Standard crossbar
14	8	Peg hook

## Parts List - Banner Kit

Item	Qty	Description
15	2	Rod
16	1	Vinyl banner
17	4	Medium screw, 5/16"-18 x 1-1/2"
18	1	Allen wrench, 3/16"

## NOTICE

Before you begin installation, read all instructions thoroughly.

Proper tools will improve the quality of installation and reduce the time required.

## Display Photo (product not included)



## ⚠ CAUTION

Care must be taken to avoid damage or injury. Do not overload display.

# ASSEMBLY

## Parts List - Starter Kit

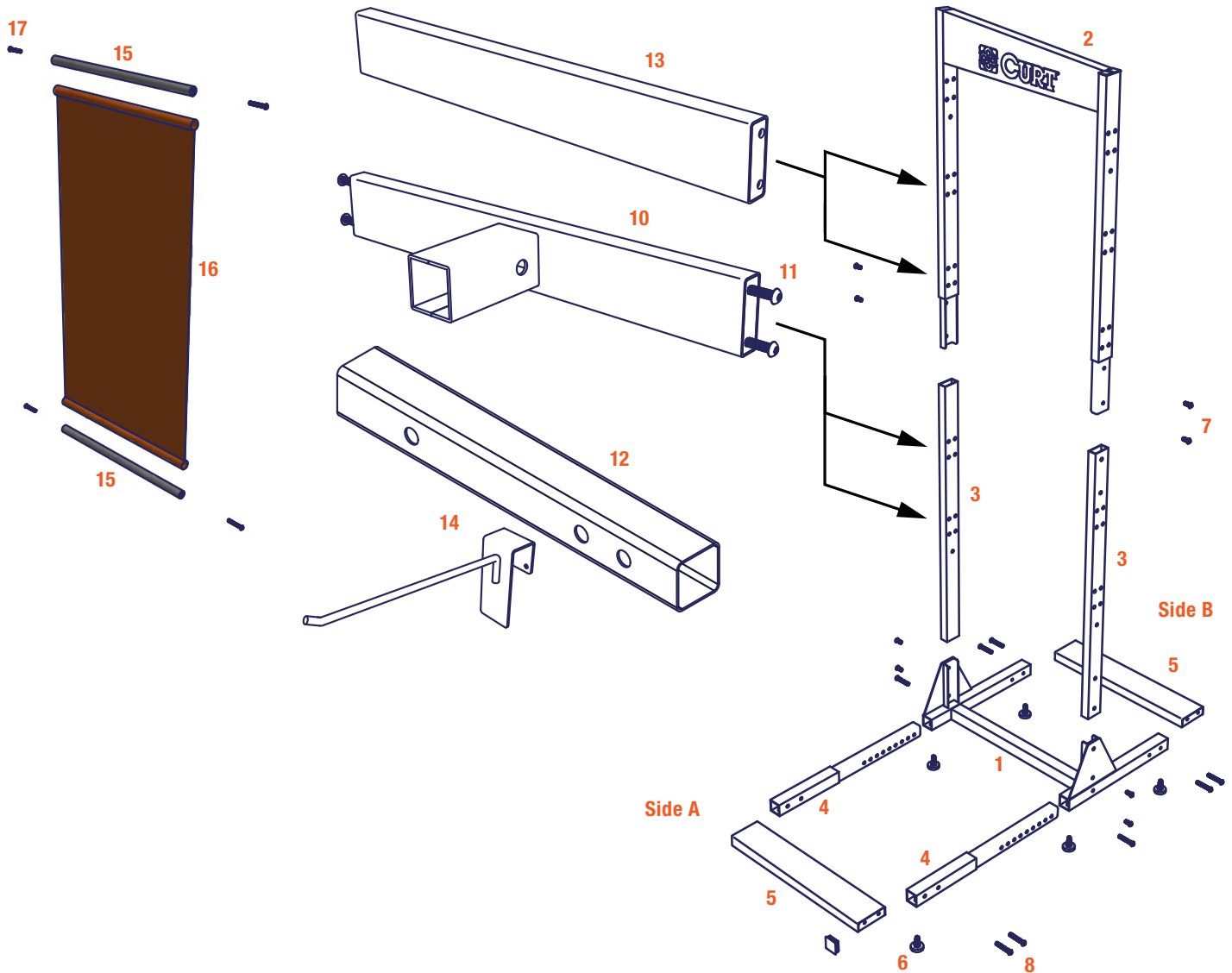
Item	Qty	Description
1	1	Base
2	1	Top frame
3	2	Upright post
4	2	Extension tube
5	2	Floor brace beam
6	6	Leveler, 5/16"-18 x 1"
7	8	Short screw, 5/16"-18 x 1/2"
8	10	Long screw, 5/16"-18 x 2"
9	1	Allen wrench, 3/16"

## Parts List - Trailer Hitch Components

Item	Qty	Description
10	2	Crossbar with receiver
11	16	Medium screw, 5/16"-18 x 1-1/2" (4 per upright frame)
12	2	Hitch adapter post
13	2	Standard crossbar
14	8	Peg hook, 7"

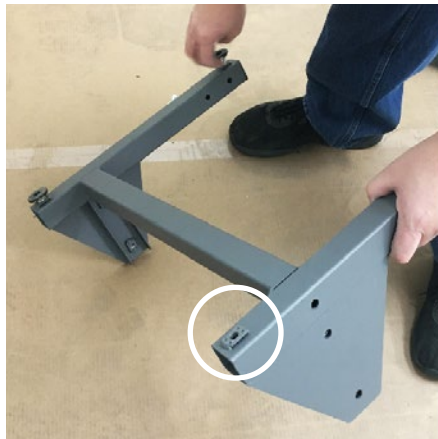
## Parts List - Banner Kit

Item	Qty	Description
15	2	Rod
16	1	Vinyl banner
17	4	Medium screw, 5/16"-18 x 1-1/2"
18	1	Allen wrench, 3/16"



### Step 1

Hold the base (#1) upside down and install four levelers (#6) to the outer corners.



### Step 2

Install the remaining levelers (#6) to the underside of the two extension tubes (#4).

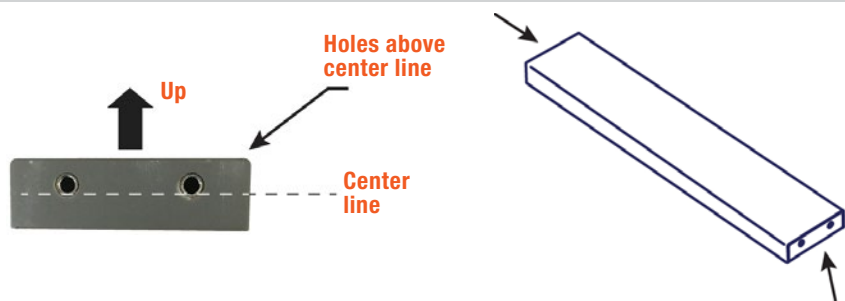
Set aside for step 6.



### Step 3

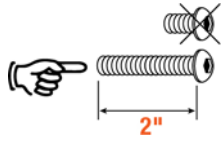
First, locate the floor brace beam (#5) with two threaded holes at each end.

Please note the threaded holes are not centered, as shown.

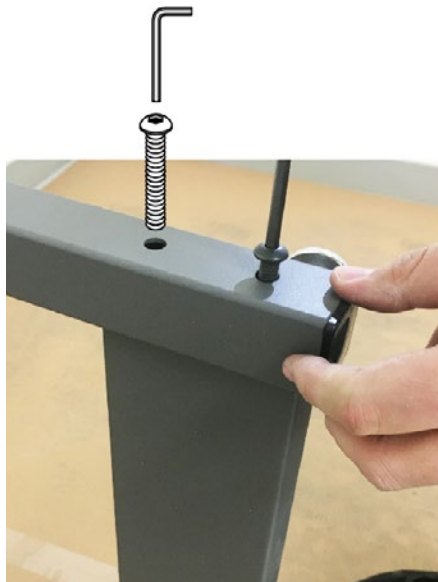


#### Step 4

Install the floor brace beam (#5) to the base (#1). Match the orientation of the threaded holes as shown. Secure at each end with two long screws (#8), using the included allen wrench (#9).



**Install tip:** Align the holes on the floor brace beam to the base. Look through to other side, and once light is visible through the holes, install one long screw on the left side then one on the opposite side. Insert the remaining two long screws.

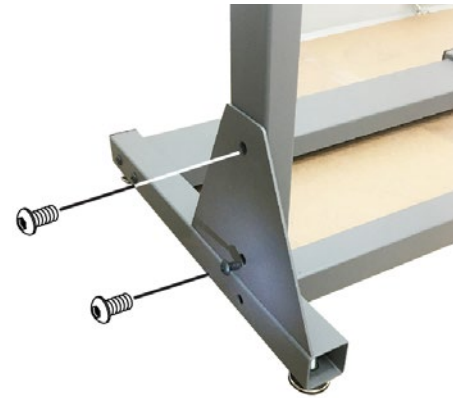
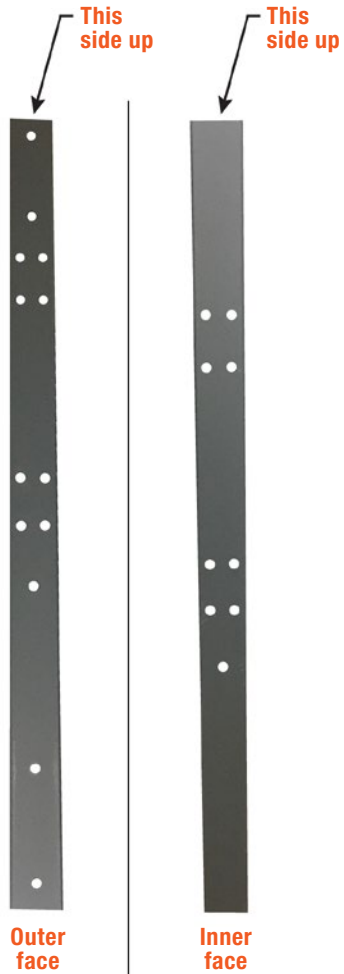


## Step 5

Locate the two upright posts (#3).  
The outer face will have more holes  
than the inner face.

Orient the tubes with the top edge facing  
up, matching the image shown to the right.

Install the upright posts to the  
base (#1). Secure from the sides of  
the base with two short screws (#7).



## Step 6

Install the extension tubes (#4) to the base (#1). These tubes are designed to extend out at various increments and add increased stability.

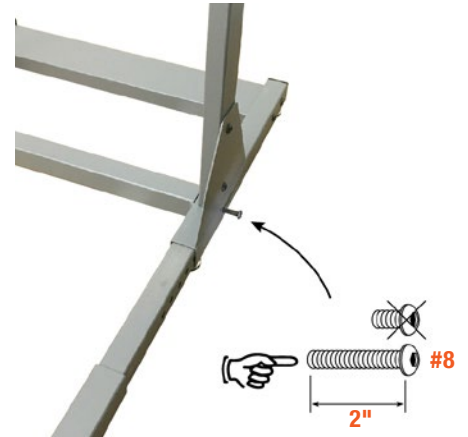
### NOTICE

For trailer hitch configuration, install extension tubes (#4) with 4-1/2 holes visible.

To lock the position of each tube, install one long screw (#8) at each location on the right and left side of the base.

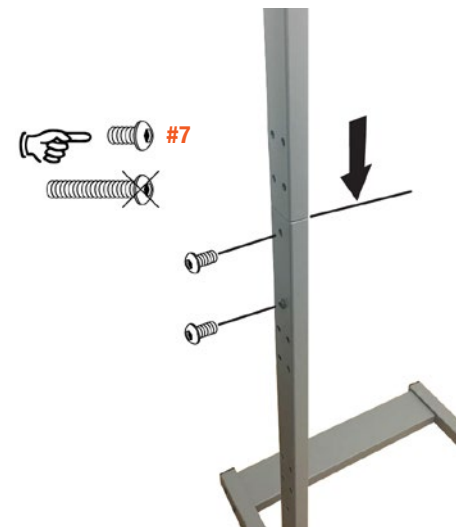


Hole spacing for adjustability



## Step 7

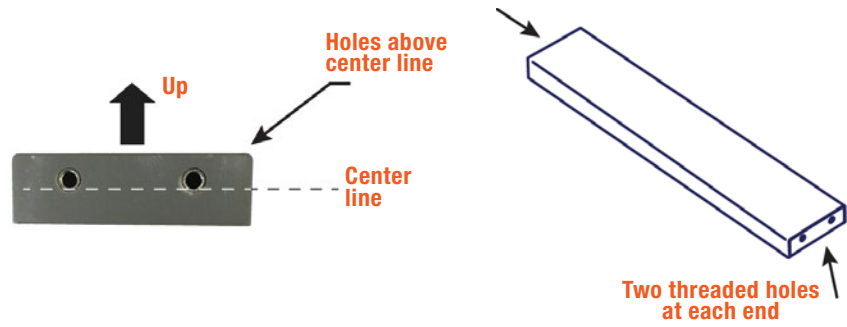
Carefully install the top frame (#2) over the upright posts (#3). Secure with two short screws (#7) at each of the upright posts on the right and left side.



### Step 8

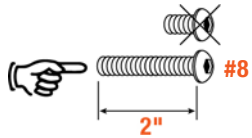
Locate the floor brace beam (#5) with two threaded holes at each end.

Please note the threaded holes are not centered, as shown.



### Step 9

Install the floor brace beam (#5) to the base (#1). Match the orientation of the threaded holes as shown. Secure at each end with two long screws (#8), using the included allen wrench (#9).



**Install tip:** Align the holes on the floor brace beam to the base. Look through to other side, and once light is visible through the holes, install one long screw on the left side then one on the opposite side. Insert the remaining two long screws.



### Step 10

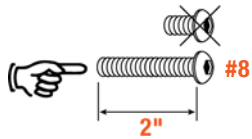
Install the rods (#15) to both sleeves of the vinyl banner (#16).



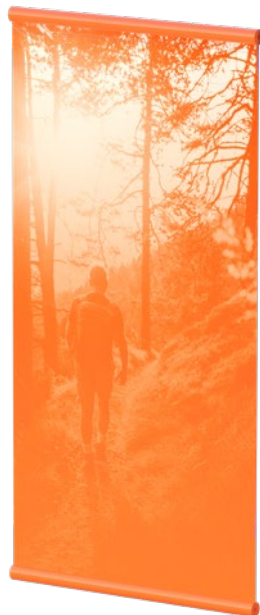
### Step 11

Attach the banner (#16) to the centered holes of the outer faces of the top frame (#2).

Secure the banner to the centered holes of the outer faces of the lower upright post (#3) using the long screws (#8).



Reference the bottom photo to the right for correct orientation of the banner graphic.



Front side graphic



## Step 12

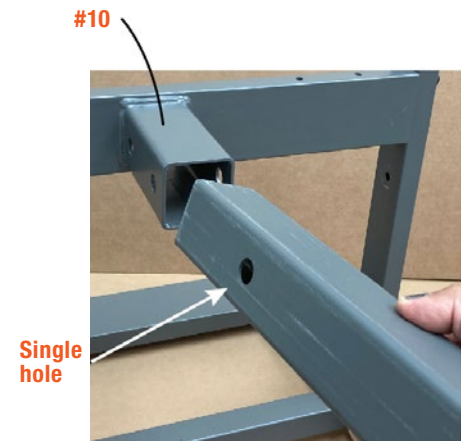
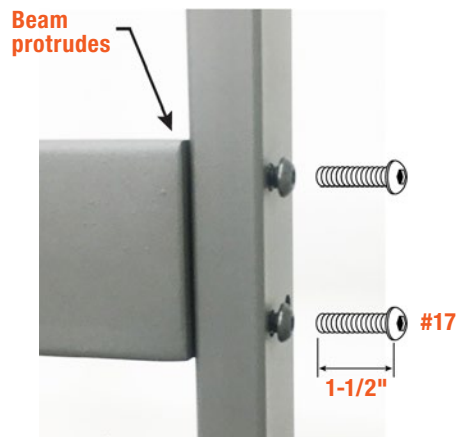
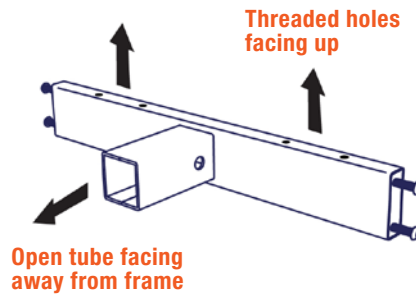
### NOTICE

Banner removed from photos.

Refer to the exploded view on page 1 to determine the location of the crossbar with receiver (#10) on the display. Next, install the crossbar with receiver to the inner face of the assembled display. Secure at each side with two medium screws (#11).

Do not fully tighten the screws until after all receiver beams are in place.

If assembled correctly, the crossbar with receiver will protrude slightly from main frame. If this is not the case, repeat this step and make sure to match the diagrams as shown.



### Step 13

Install the hitch adapter post (#12) to each receiver beam (#10). The end with the single hole will go inside the receiver tube.

Secure the hitch adapter posts to the receiver beam with heavy duty pin (hitch pin #21502 sold separately).

Install the two remaining crossbars (#13) to the top two attachment points. Secure with four medium screws (#11).

#### **CAUTION**

Trailer hitches vary and so do their weights and centers of gravity. Care must be taken in choosing how many hitches to display and heights to mount at. Generally, wider and heavier products should be mounted closest to the ground.



### Step 14

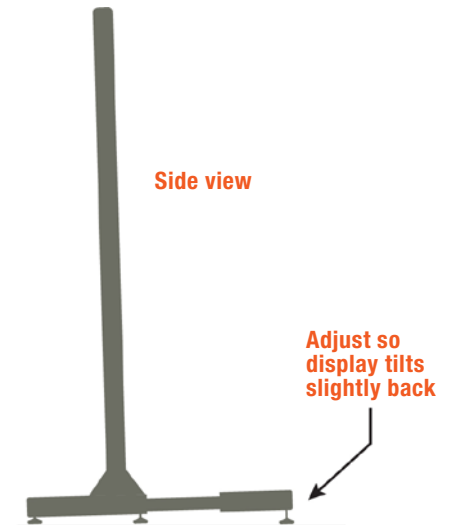
Carefully install the trailer hitches to the hitch adapter posts (#12), as shown in the final installed image on the last page of this instruction manual.

Secure with heavy duty pin (hitch pin #21502 sold separately).

#### **NOTICE**

Adjust the levelers (#6) to make sure the unit tilts slightly back.

Once all crossbars and screws are in place, fully tighten all hardware.



**Final Installed Image**



**Display product sold separately**