

INSTALLATION MANUAL

99295

Level of Difficulty

Easy

Parts List

Item	Qty	Description
1	1	Center tube
2	1	Right leg, rear
3	1	Left leg, rear
4	1	Right leg, front
5	1	Left leg, front
6	6	Carrige bolt, 1/4"-20, 1"
7	6	Flange nut, 1/4"-20

Tools Required

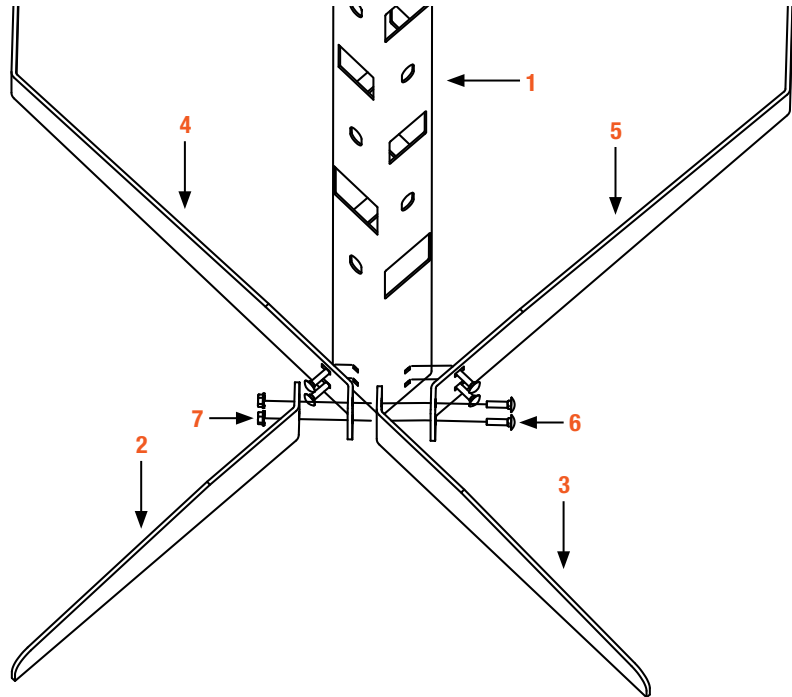
Wrench, 7/16"	--
---------------	----

NOTICE

Before you begin installation, read all instructions thoroughly.

Proper tools will improve the quality of installation and reduce the time required.

Assembly



Step 1

Bolt the front left leg (#5), rear left leg (#3), front right leg (#4), and rear right leg (#2) together with two carriage bolts (#6) and two flange nuts (#7). See Image 1.

Once the legs are bolted together, secure the leg assembly to the center tube (#1) with four carriage bolts (#6) and four flange nuts (#7) as shown.

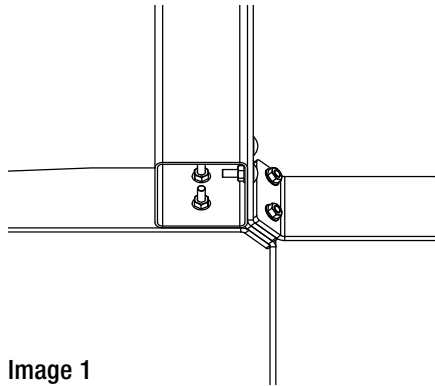


Image 1

Product Photo

