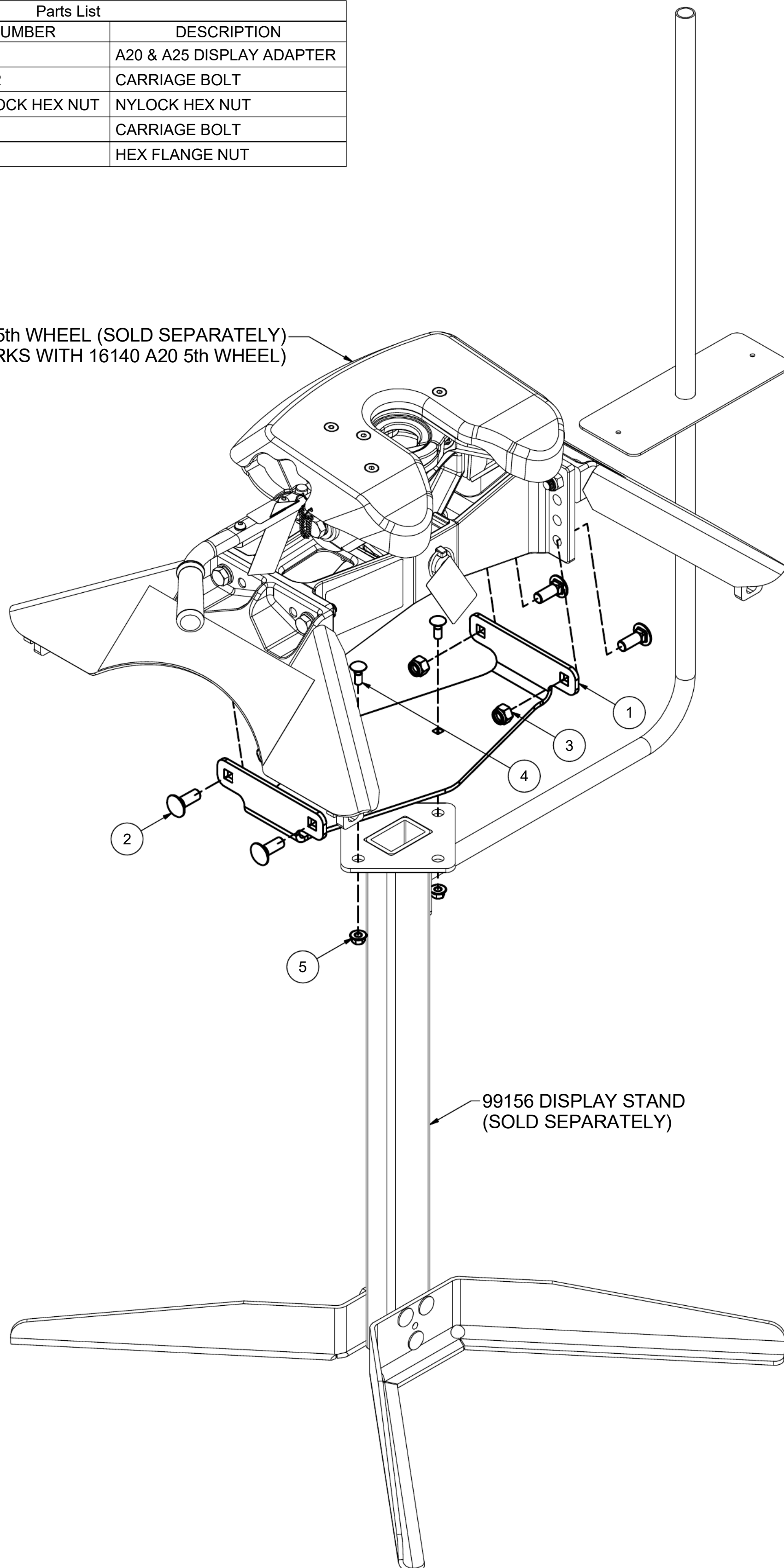


99257**A20 & A25 DISPLAY ADAPTER PLATE****8/02/2017**FOR MORE INFORMATION LOG ONTO WWW.CURTMFG.COM
HAVING INSTALLATION QUESTIONS? CALL TECHNICAL SUPPORT AT 1-877-287-8634

Parts List			
ITEM	QTY	PART NUMBER	DESCRIPTION
1	1	99257-001	A20 & A25 DISPLAY ADAPTER
2	4	9_16-12 x 1 1/2	CARRIAGE BOLT
3	4	9_16 - 12 NYLOCK HEX NUT	NYLOCK HEX NUT
4	2	3/8-16 x 1 LG.	CARRIAGE BOLT
5	2	HFN3816	HEX FLANGE NUT

16180 A25 5th WHEEL (SOLD SEPARATELY)
(ALSO WORKS WITH 16140 A20 5th WHEEL)99156 DISPLAY STAND
(SOLD SEPARATELY)

CURT Manufacturing LLC., warrants this product to be free of defects in material and/or workmanship at the time of retail purchase by the original purchaser. If the product is found to be defective, CURT Manufacturing LLC., may repair or replace the product, at their option, when the product is returned, prepaid, with proof of purchase. Alteration to, misuse of, or improper installation of this product voids the warranty. CURT Manufacturing LLC.'s liability is limited to repair or replacement of products found to be defective, and specifically excludes liability for incidental or consequential loss or damage.