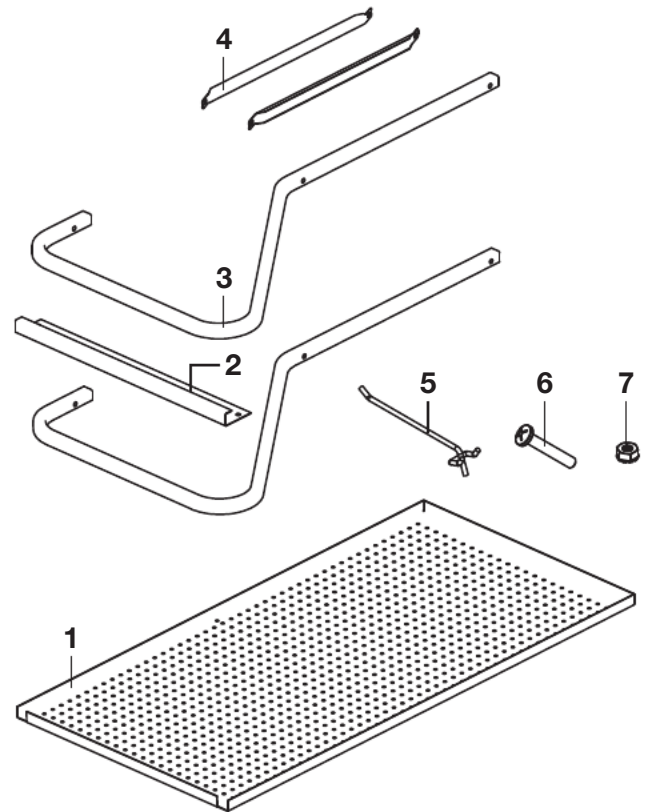
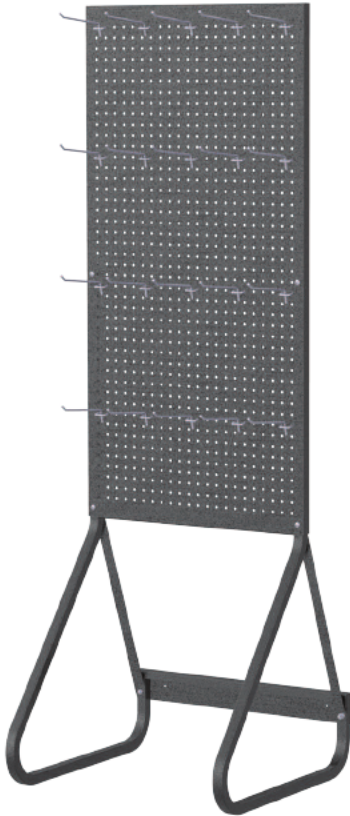


INSTALLATION INSTRUCTIONS

WARNING: NEVER EXCEED YOUR VEHICLE MANUFACTURER'S RECOMMENDED TOWING CAPACITY

PEGBOARD DISPLAY STAND



WARNINGS

Read manual carefully before installation or use of this product. The warnings, cautions and instructions discussed in this instruction manual cannot cover all possible conditions or situations that could occur. It must be understood by the operator that common sense and caution are factors which cannot be built into the product and are the responsibility of the end user.

Do not exceed the display stands designed capacity of 150 lbs. Overloading may effect stability and cause the display to tip, resulting in personal injury or property damage.

PARTS LIST

Item#	Qty	Description
1	1	Peg board panel
2	1	Base cross support
3	2	Support stand leg
4	2	Support channel
5	20	1/4" x 6" peg hook
6	6	Machine screw, 1/4" - 20 x 1 1/2"
7	6	Rev lock nut, 1/4"

ASSEMBLY

Step 1

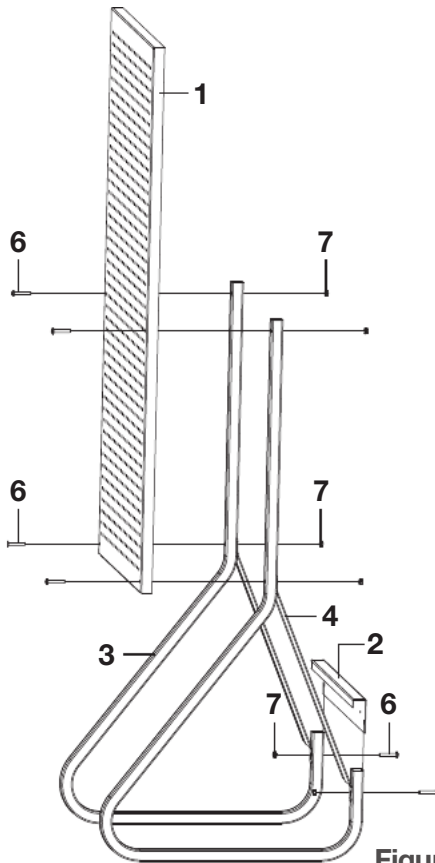
Attach the two support legs (#3) to the corresponding holes in the peg board panel (#1) with the 1/4 - 20 x 1 1/2" bolts and nuts (#6, #7). Only finger tighten the nuts.

Step 2

Loosely attach the base cross support (#2) with the remaining two bolts and lock nuts (#6, #7). Only finger tighten the nuts.

Step 3

Stand the display up and ensure both legs (#3) are sitting flat on the floor. Install the support channels (#4) by removing one nut at a time, placing the channel mount slot over the bolt, and re-installing the nut.



Step 4

With the support channels installed, tighten all six rev lock nuts (#7) until the washers are compressed.

Optional: The display stand may be secured to a wall with two 1/8" anchor screws (not provided) using the additional holes in the base cross support.

Step 5

Arrange the peg hooks (#5) to evenly distribute the product on the pegboard panel. Below is an example layout using cargo straps.

