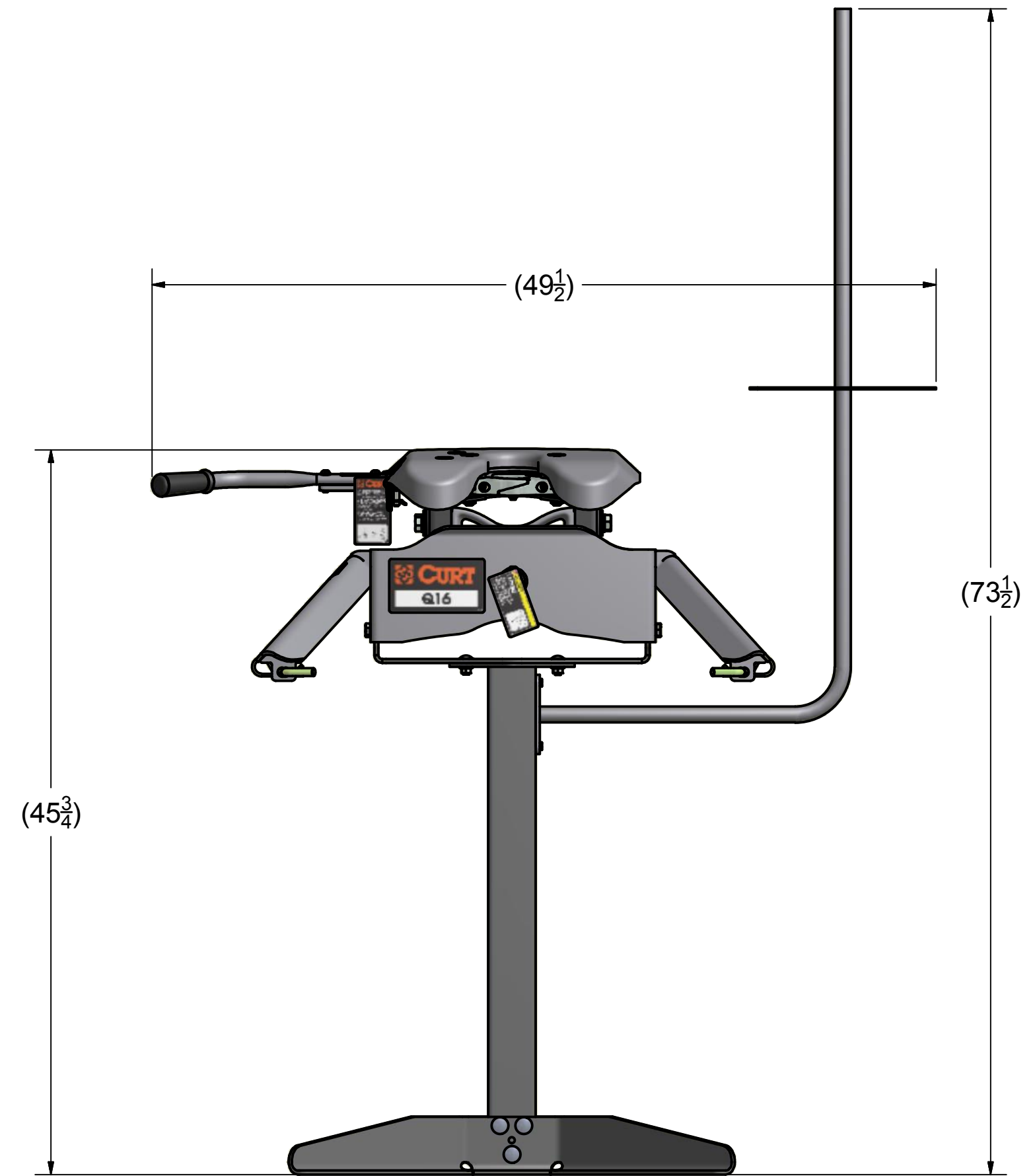
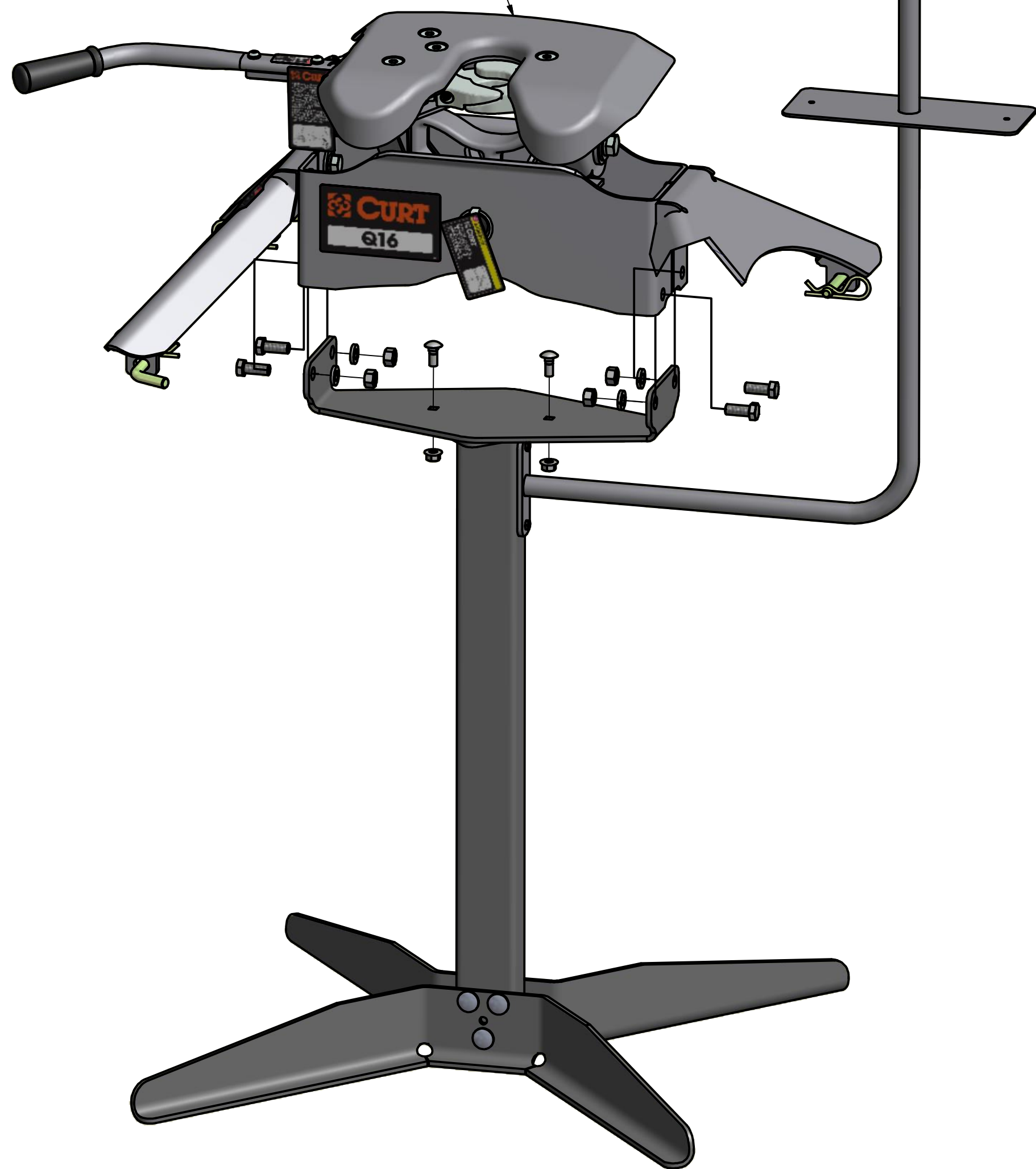



Parts List					
ITEM	QTY	PART NUMBER	DESCRIPTION	MASS	RAW MATERIAL
1	1	ZHS-127	Q-SERIES 5TH WHEEL DISPLAY STAND	31.493 kg	PER PART
2	1	99183-001	Q16 DISPLAY ADAPTER	3.657 kg	ASTM A36
3	1	16120	16120 16K 5TH WHEEL	48.148 kg	PER PART
8	1	99183-100	99183 HARDWARE PACK	0.223 kg	PER PART

16120 5TH WHEEL SOLD SEPERATLY



**Confidentiality Statement**

The information, data, and drawings embodied in this document are strictly confidential and are supplied with the understanding that they will not be disclosed to third parties without the prior written consent of Curt Manufacturing, LLC.

DRAWN JDILLER	8/5/2013	 <b>CURT</b> 6208 Industrial Drive Eau Claire, WI 54701
CHECKED		
STANDARD MFG. TOLERANCES		TITLE
0≤6	±0.1mm	Q16 5TH WHEEL DISPLAY
>6≤30	±0.2mm	SIZE DWG NO
>30≤120	±0.3mm	C 99183
>120≤400	±0.5mm	SCALE NTS
>400	±1mm	SHEET 1 OF 1
X°	±1°	REV