

99180

UNDER-BED GOOSENECK DISPLAY STAND

4/23/2014

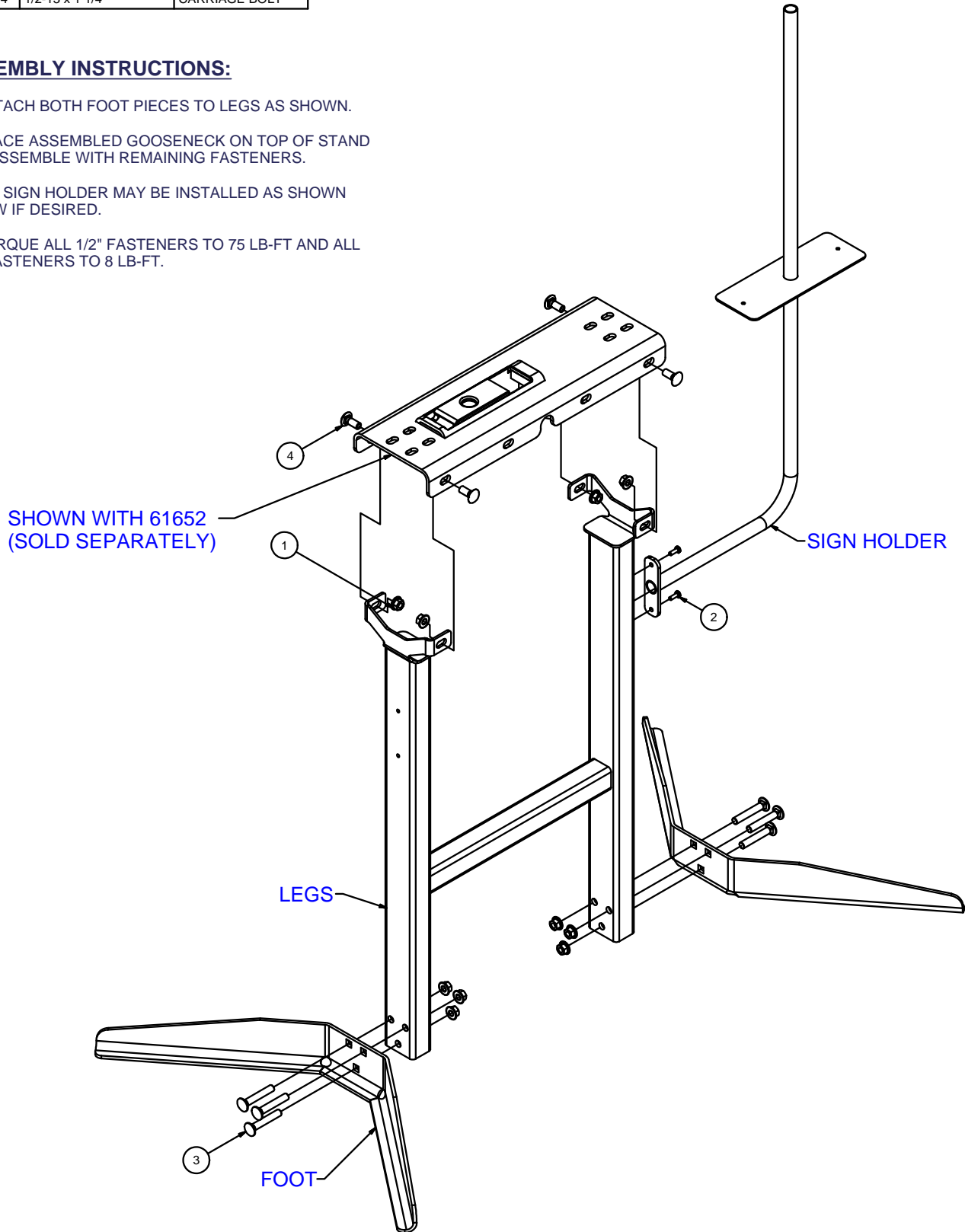
Parts List			
ITEM	QTY	PART NUMBER	DESCRIPTION
1	10	HFN 1213, GR8	HEX FLANGE NUT
2	2	1_4 - 20 x 3_4 HEX	HEX BOLT
3	6	1_2 - 13 x 3 CARRIAGE	CARRIAGE BOLT
4	4	1/2-13 x 1 1/4	CARRIAGE BOLT

ASSEMBLY INSTRUCTIONS:

- 1) ATTACH BOTH FOOT PIECES TO LEGS AS SHOWN.
- 2) PLACE ASSEMBLED GOOSENECK ON TOP OF STAND AND ASSEMBLE WITH REMAINING FASTENERS.

NOTE: SIGN HOLDER MAY BE INSTALLED AS SHOWN BELOW IF DESIRED.

- 3) TORQUE ALL 1/2" FASTENERS TO 75 LB-FT AND ALL 1/4" FASTENERS TO 8 LB-FT.



Curt Manufacturing LLC., warrants this product to be free of defects in material and/or workmanship at the time of retail purchase by the original purchaser. If the product is found to be defective, Curt Manufacturing LLC., may repair or replace the product, at their option, when the product is returned, prepaid, with proof of purchase. Alteration to, misuse of, or improper installation of this product voids the warranty. Curt Manufacturing LLC.'s liability is limited to repair or replacement of products found to be defective, and specifically excludes liability for incidental or consequential loss or damage.