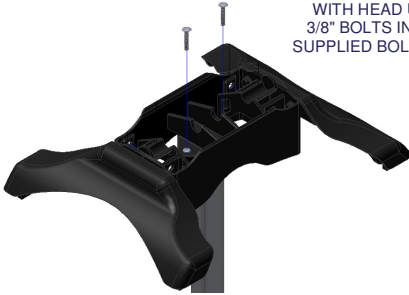


Parts List			
ITEM	QTY	PART NUMBER	DESCRIPTION
1	2	HFN3816	HEX FLANGE NUT
2	2	3/8-16 x 2.50	CARRIAGE BOLT
3	3	1_2 - 13 x 3 CARRIAGE	CARRIAGE BOLT
4	3	HFN 1213	HEX FLANGE NUT
5	2	1_4 - 20 x 3_4 HEX	HEX BOLT

Q5 5TH WHEEL INSTALLATION

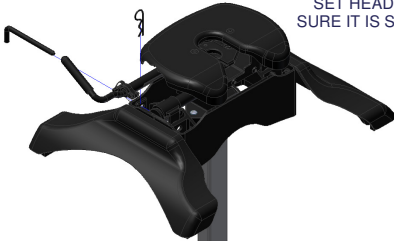
STEP 1

WITH HEAD UNIT REMOVED. REPLACE 3/8" BOLTS IN BASE UNIT WITH LONGER, SUPPLIED BOLTS. BOLT BASE UNIT TO TOP OF STAND.



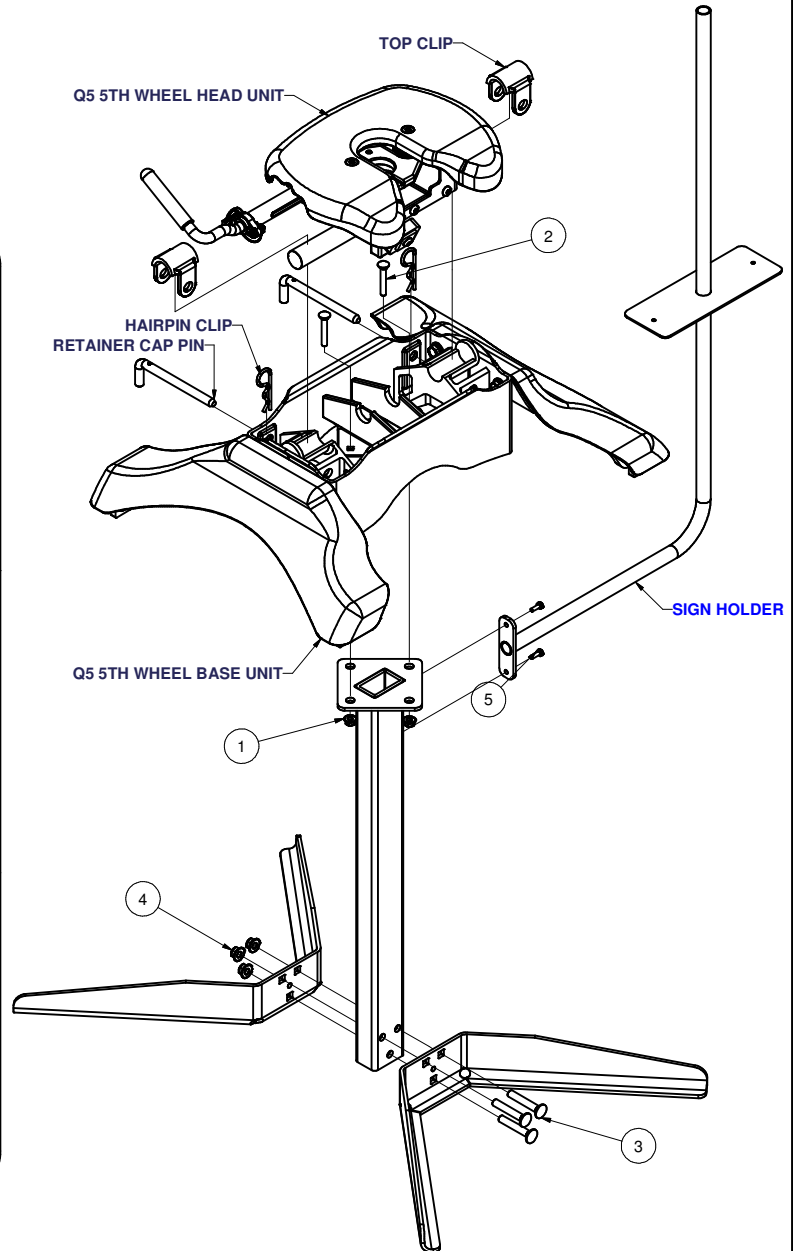
STEP 2

SET HEAD UNIT INTO POSITION, MAKING SURE IT IS SEATED PROPERLY. PLACE TOP CLIPS INTO SHAFT.



STEP 3

INSERT THE RETAINER CAP PIN FULLY, LOCKING THE TOP CLIP. INSERT HAIRPIN CLIPS AS SHOWN TO THE RIGHT.



INSTALLATION STEPS

- 1) Using the supplied hardware, assemble stand legs and sign holder to base.
- 2) Use a level to be sure the stand is straight, adjust if needed.
- 3) Torque all 1/2" fasteners to 75 lb-ft.
- 4) Install Q5 5th wheel to stand as described above.
- 5) Torque all 3/8" fasteners to 30 lb-ft.

PERIODICALLY CHECK THIS RECEIVER HITCH TO ENSURE THAT ALL FASTENERS ARE TIGHT AND THAT ALL STRUCTURAL COMPONENTS ARE SOUND.