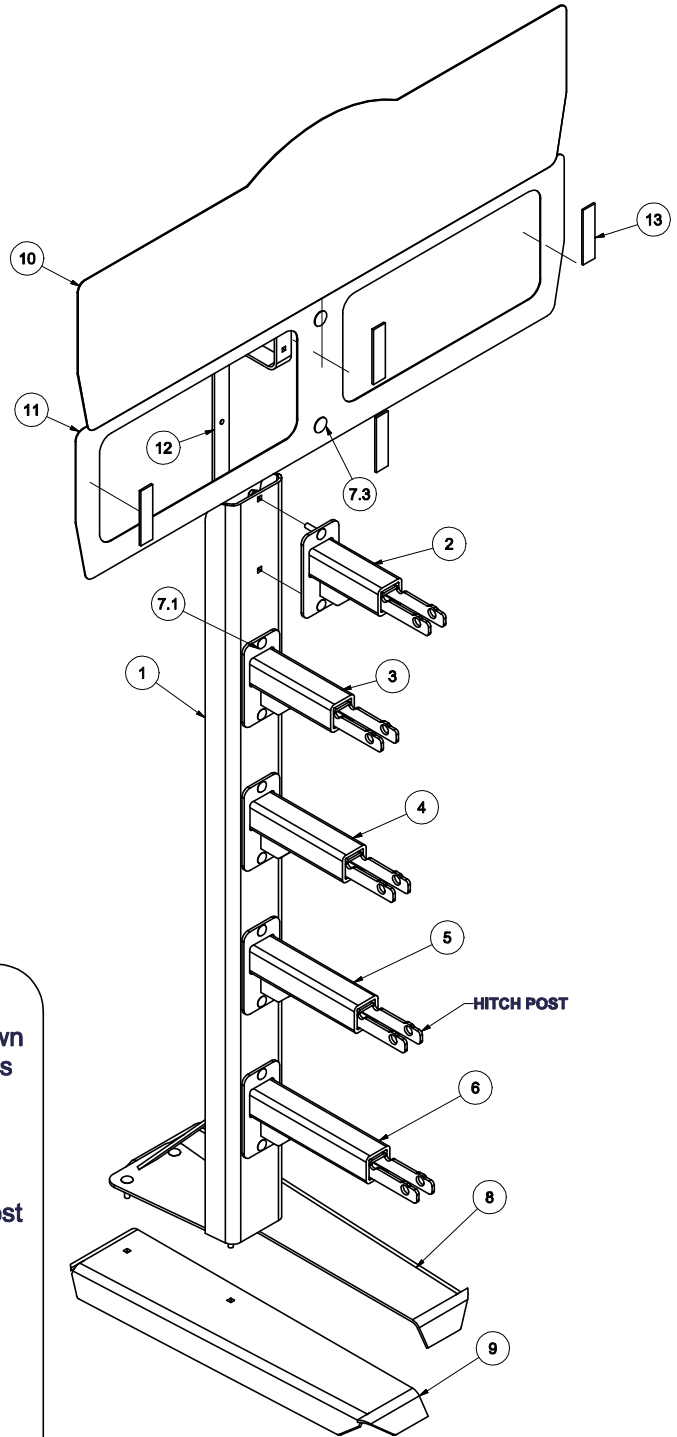


INSTALLATION INSTRUCTIONS

ZHS-102 Hitch Stand

10/2/2009

Parts List			
ITEM	QTY	PART NUMBER	DESCRIPTION
1	1	CM-ZHS102-WA	WELDMENT ASSEMBLY
2	1	CM-ZHS102-WA6	WELDMENT ASSEMBLY
3	1	CM-ZHS102-WA7	WELDMENT ASSEMBLY
4	1	CM-ZHS102-WA8	WELDMENT ASSEMBLY
5	1	CM-ZHS102-WA9	WELDMENT ASSEMBLY
6	1	CM-ZHS102-WA10	WELDMENT ASSEMBLY
7	1	CM-ZHS102-BK	HITCH BOLT KIT
7.1	14	5/16-18 x 1 1/4	CARRIAGE BOLT
7.2	14	5/16-18	HEX FLANGE NUT
7.3	2	1/4 - 20 x 3/4	ELEVATOR BOLT
7.4	2	1/4-20	HEX FLANGE NUT
8	1	CM-ZHS102-BP1	.188 x 6.74 x 27.000" RIGHT BASE PLATE
9	1	CM-ZHS102-BP2	.188 x 6.74 x 27.000" LEFT BASE PLATE
10	1	CM-ZHS102-HC	HEADER CARD
11	1	CM-ZHS-102-HP	16GA. HEADER PLATE
12	1	CM-ZHS102-HC11	.188 x 1.25 x 27.00" SIGN HANGER
13	4	CM-VEL-001	VELCRO, HOOK AND LOOP, 1" x 4"



STAND WEIGHT: 72 LBS.

INSTALL TIME: 20 MINUTES

INSTALL NOTES:
NO DRILLING REQUIRED

INSTALLATION STEPS

- 1) Attach base plates to upright piece with bends facing down as illustrated. Install four 5/16" carriage bolts and hex nuts as shown.
- 2) Attach five hitch posts to upright with gusset facing down as illustrated. Fasten each post with two 5/16 carriage bolts and hex nuts as shown. Attach the longest hitch post first, starting at the base, working your way up to the shortest one at the top.
- 3) Tighten all fasteners when fully assembled.
- 4) Display hitches should be placed over hitch post first, followed by inserting a ballmount. Position hitch, ballmount, and display stand post so that all 5/8" holes are in line. Install a hitch pin and clip to secure product to display stand.

Curt Manufacturing Inc., warrants this product to be free of defects in material and/or workmanship at the time of retail purchase by the original purchaser. If the product is found to be defective, Curt Manufacturing Inc., may repair or replace the product, at their option, when the product is returned, prepaid, with proof of purchase. Alteration to, misuse of, or improper installation of this product voids the warranty. Curt Manufacturing Inc.'s liability is limited to repair or replacement of products found to be defective, and specifically excludes liability for incidental or consequential loss or damage.