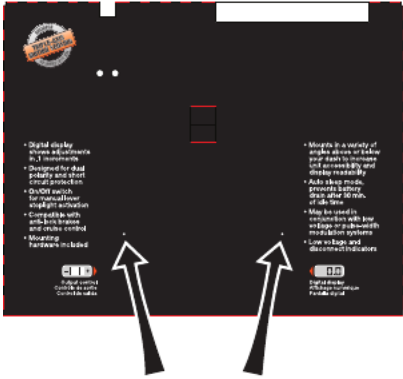


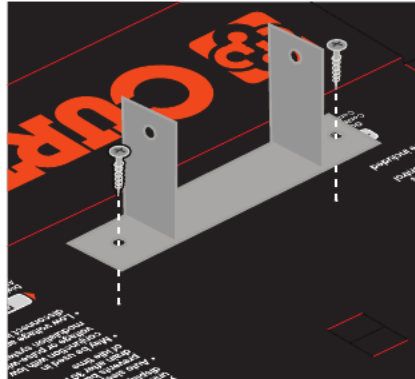
INSTALLATION INSTRUCTIONS

WARNING: NEVER EXCEED YOUR VEHICLE MANUFACTURER'S RECOMMENDED TOWING CAPACITY

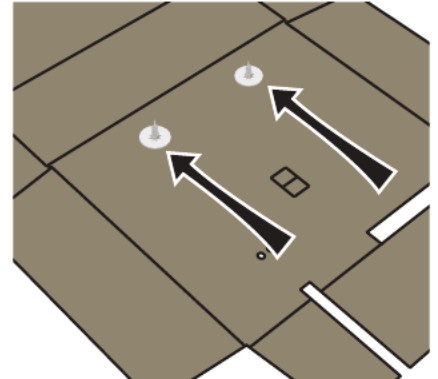
TRIFLEX COUNTER TOP DISPLAY



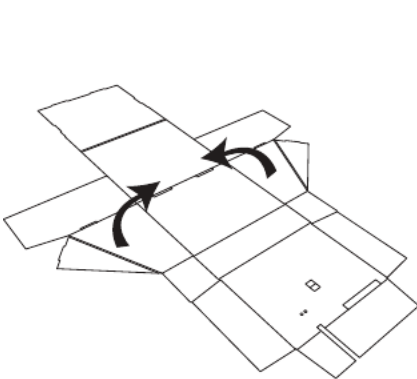
1. Lay display printed side up and find white screw locator markings



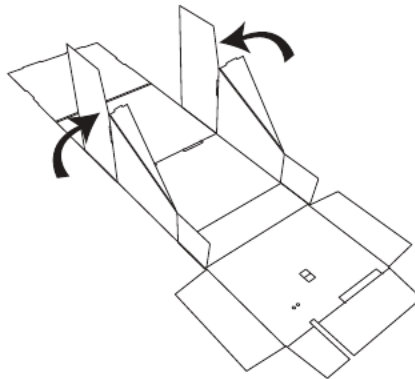
2. Align bracket holes with the white markings. Start screws (included with TriFlex) into the corrugated display



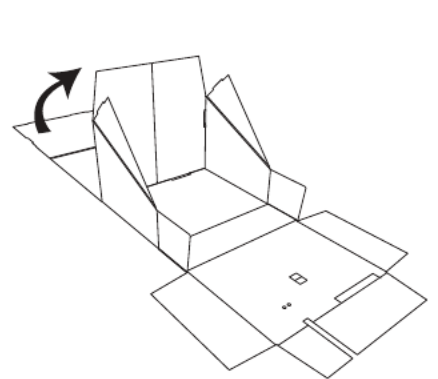
3. Place plastic retainers on the kraft side where the screws are coming through. Tighten the screws until firm



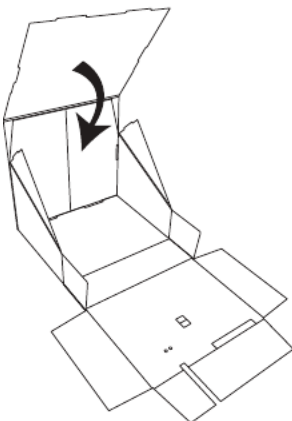
4. Fold up the side panels



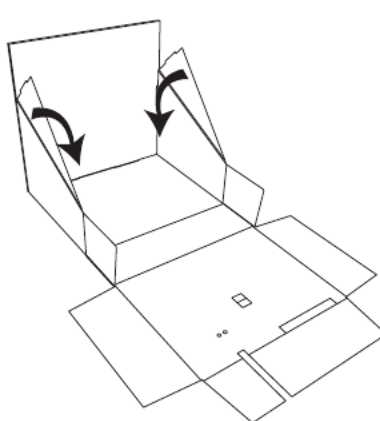
5. Fold in the back flaps



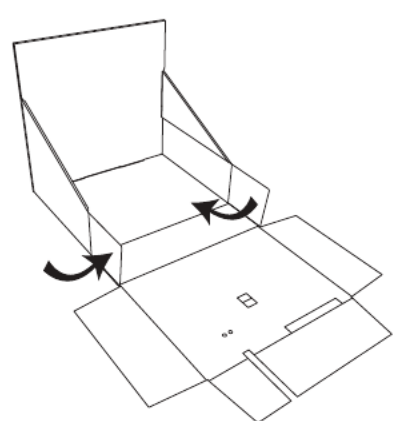
6. Fold the back panel up



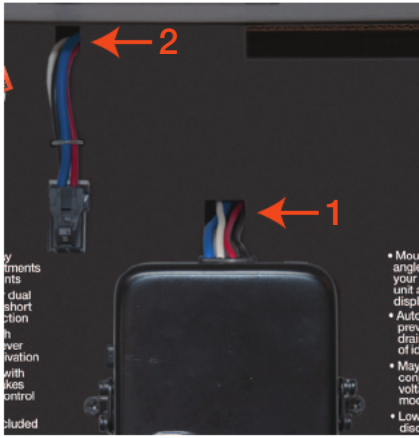
7. Fold the back panel over and lock in tabs



8. Fold angled side flaps over and lock in tabs



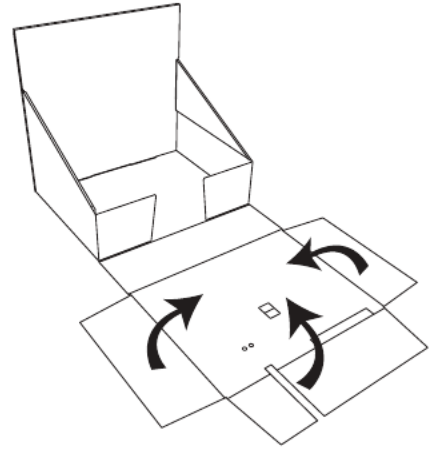
9. Fold the front flaps in 90°



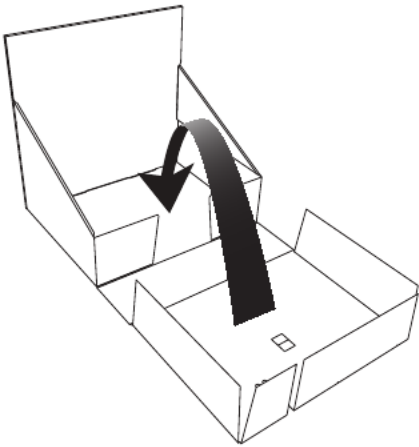
11. To install the brake controller, insert quick plug through hole #1 and up through hole #2



12. Secure the quick plug down with the twist tie provided



10. Once wires are secure, fold the base flaps up



13. Fold the base panel over the front flaps



14. You can now attach the TriFlex to the mounting bracket



15. Insert the 99074 brochures and you are ready to go

NEED MORE BROCHURES FOR YOUR *TRIFLEX*™ DISPLAY?

Contact your sales representative or call customer service at 800.287.8634 to place an order for part number 99074

The original shipment of TriFlex displays (99073) shipped with 12 customer-focused brochures (99074). These no-cost marketing materials are provided to you to help grow the customer's interest and understanding of the TriFlex.

