

INSTALLATION MANUAL

Level of Difficulty

Easy

Installation difficulty levels are based on time and effort involved and may vary depending on the installer level of expertise, condition of the vehicle and proper tools and equipment.

Tools Required

Ratchet	Panel trim removal tool
Sockets	Cutting tool
Socket extension	Wire crimper
Drill	Wire stripper
Electrical tape	--

⚠ WARNING

Do not exceed product rating or tow vehicle lamp load rating, whichever is lower.

The battery connection must be fuse-protected, 15-amp max. Exceeding the product rating can cause loss of warranty, overheating and potential fire.

Product Photo



NOTICE

Before you begin installation, read all instructions thoroughly.

Proper tools will improve the quality of installation and reduce the time required.

All steps must be followed to ensure the product will function properly. Once installed, test for proper function by using a test light or connecting a properly wired trailer.

Maintenance

Periodic inspection of all wires and connections should be performed to ensure there is no visible damage or loose connections.

Step 1

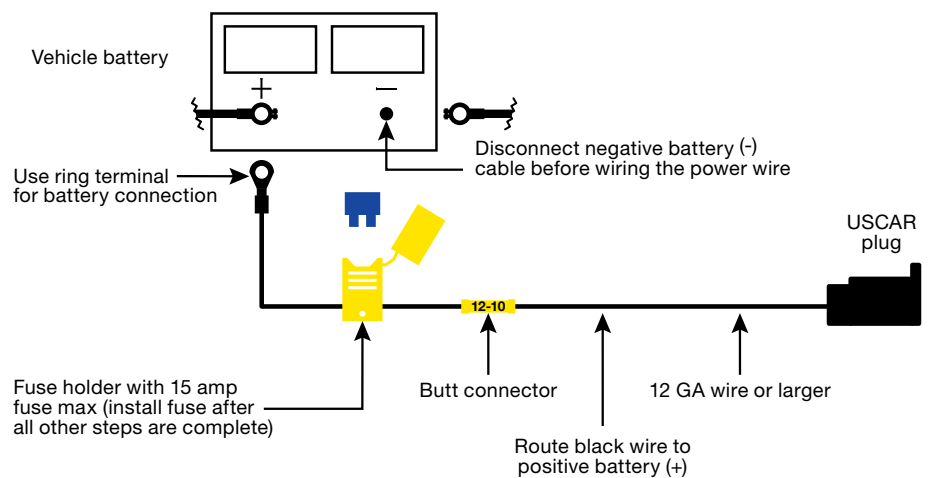
Locate the vehicle 4-flat harness and attach it to the 7-way harness. If the harness is in the hatch or in the trunk of the vehicle you will need to route the 4-flat to the outside of the vehicle. This could be done by routing through a grommet in the trunk or hatch area, potentially under the spare tire.



Step 2

Run a power wire from the battery to the black wire on the harness and splice it together. See the diagram to the right for reference.

Be sure to add the provided in-line fuse holder in this power wire.

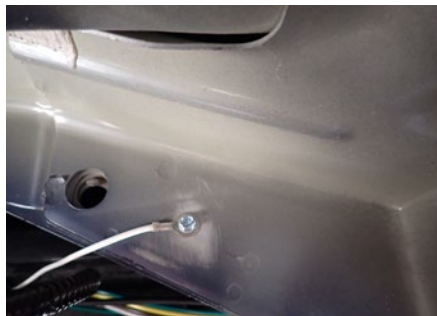


Step 3

Locate a grounding point such as an existing screw or bolt in the frame of the vehicle or use a self-tapping screw. The area should be free from rust, dirt, and paint

The blue wire is for a hard-wired brake control.
The red wire is for reverse trailer lights.

Note: If needed, you can splice this in also.



Step 4

Zip tie any loose wires and attach the USCAR 7-way and mount in the bumper or mounting bracket. Test all functions.

Note: If you are using the Echo mobile or Echo In-Line brake controller, the brake control wire is only active when applying brakes on a bluetooth device (used to set up the brake control).

