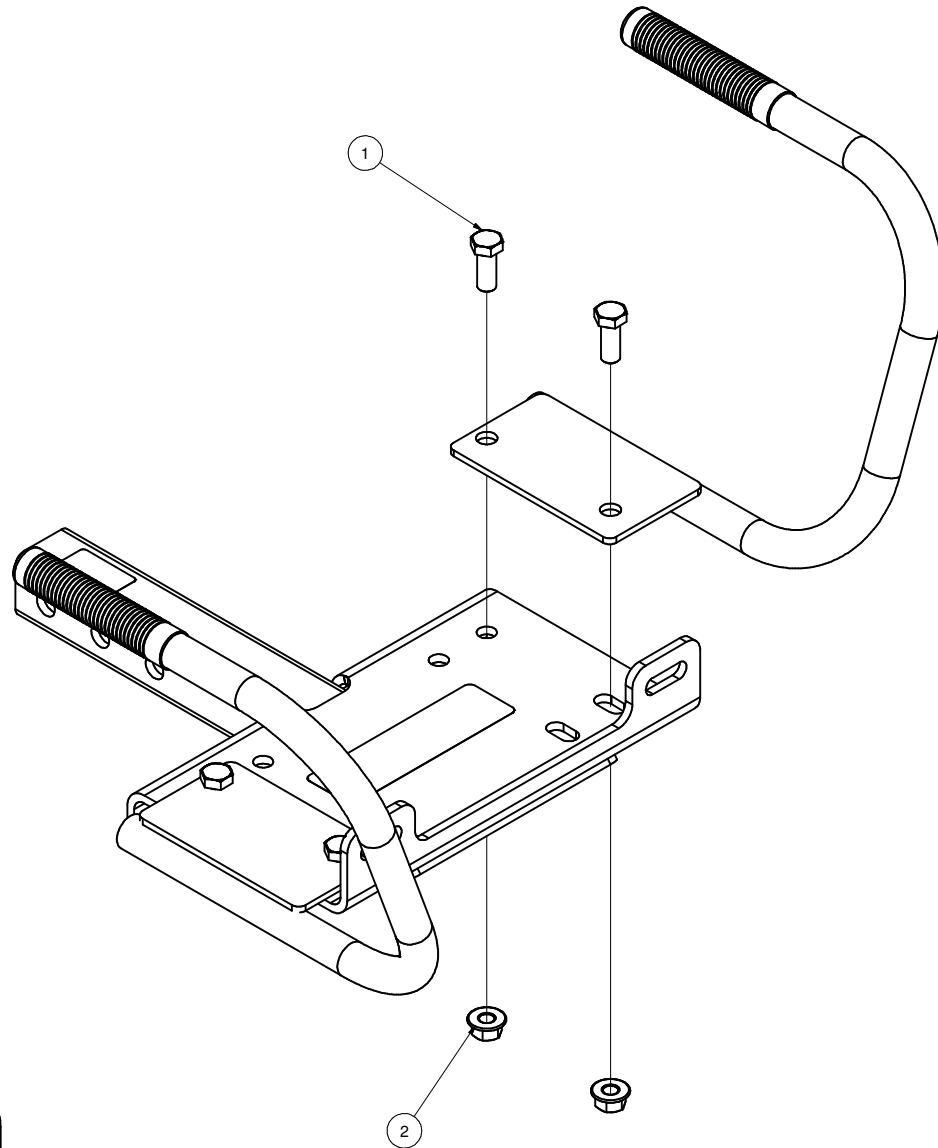


31009**WINCH PLATE AND HANDLE ASSEMBLY****3/18/08**

Parts List			
ITEM	QTY	PART NUMBER	DESCRIPTION
1	4	1/2-13 x 1 1/4	HEX BOLT
2	4	HFN 1213	HEX FLANGE NUT

ASSEMBLY WEIGHT: 25 LBS.INSTALL TIME: 10 MINUTES

INSTALL NOTES:

- NO DRILLING REQUIRED**INSTALLATION STEPS**

- 1) Align handles with outside holes on winch plate as shown.
- 2) Insert 1/2" hex bolts and loosely attach with 1/2" flange nut.
- 3) Torque all 1/2" hardware to 75 lb-ft.

PERIODICALLY CHECK THIS RECEIVER HITCH TO ENSURE THAT ALL FASTENERS ARE TIGHT AND THAT ALL STRUCTURAL COMPONENTS ARE SOUND.

Curt Manufacturing Inc., warrants this product to be free of defects in material and/or workmanship at the time of retail purchase by the original purchaser. If the product is found to be defective, Curt Manufacturing Inc., may repair or replace the product, at their option, when the product is returned, prepaid, with proof of purchase. Alteration to, misuse of, or improper installation of this product voids the warranty. Curt Manufacturing Inc.'s liability is limited to repair or replacement of products found to be defective, and specifically excludes liability for incidental or consequential loss or damage.