

INSTALLATION MANUAL

19283

Level of Difficulty

Moderate

Weight Capacity

Gross trailer weight (GTW) 20,000 lbs.

Vertical load 5,000 lbs.

Parts List

Item	Qty	Description
1	1	Wedge plate
2	2	Plow bolt, 5/8"
3	2	Flathead bolt, 5/8"
4	2	Nylock nut, 5/8"
5	2	Flat washer, 5/8"
6	2	*Hex bolt, 1/2"
7	2	*Nylock nut, 1/2"

*Sold separately

Tools Required

Ratchet	Torque wrench
Socket set	Hex bit sockets

Torque Specifications

5/8" plow bolt 135 ft-lbs.

5/8" flathead bolt 135 ft-lbs.

Use above torque setting unless otherwise noted

Product Registration

CURT stands behind our products with industry-leading warranties. Provide feedback and help us to improve our products by registering your purchase at: warranty.curtgroup.com/surveys

NOTICE

Before you begin installation, read all instructions thoroughly.

Proper tools will improve the quality of installation and reduce the time required.

To help prevent damage to the product or vehicle, refer to the specified torque specifications when securing hardware during the installation process.

⚠ DANGER ZONE PRECAUTIONS

Block all trailer tires in front and behind with appropriate wheel chocks. Do not substitute objects such as, but not limited to: stones, wood blocks, etc. Front trailer lifting jacks must be supporting the trailer and resting on a firm and level surface.

Towing vehicle must be stationary with automatic transmission in park (manual in neutral), emergency brake applied and engine off.

⚠ WARNING

Fully instruct and demonstrate the operation of this 5th wheel hitch to the end user. Include the importance of observing all warnings contained herein, including warning labels on 5th wheel hitch main body. Provide this manual in its entirety to the end user. Serious injury or death may result if the warnings above are not observed.

Do not expose hands, body parts or clothing between the truck and trailer or the truck's bed sides and trailer. If you must place any part of your body under trailer or between truck and trailer, you must:

1. Block all trailer tires with wheel chocks.
2. Make sure trailer landing gear / jacks are resting on a firm, level surface.
3. Towing vehicle must be stationary with auto transmission in park (manual in neutral), emergency brake applied and engine off.

Never exceed the towing capacity (trailer and contents combined) of any towing system component or your vehicle.

Improperly coupled trailers can separate or drop without notice, causing serious injury or death. To reduce the chance of serious injury or death:

Never attempt to couple trailer without reading and following all instructions thoroughly.

Always follow operating instructions to secure trailer to tow vehicle. Make sure the hitch is secure before towing.

Prior to towing, ensure all components and hardware are structurally sound and secure.

Always chock the trailer to prevent movement while coupling the hitch.

Always ensure lynch pins are installed through handle before towing.

Always perform a pull test prior to towing. See 'pull test' later in this instruction manual.

Never position anyone under the trailer's kingpin area during coupling and uncoupling.

Trailer brakes must be connected, functioning and properly adjusted. Towing without properly functioning trailer brakes may result in hitch failure, potential property damage, serious injury or death.

Product Photo

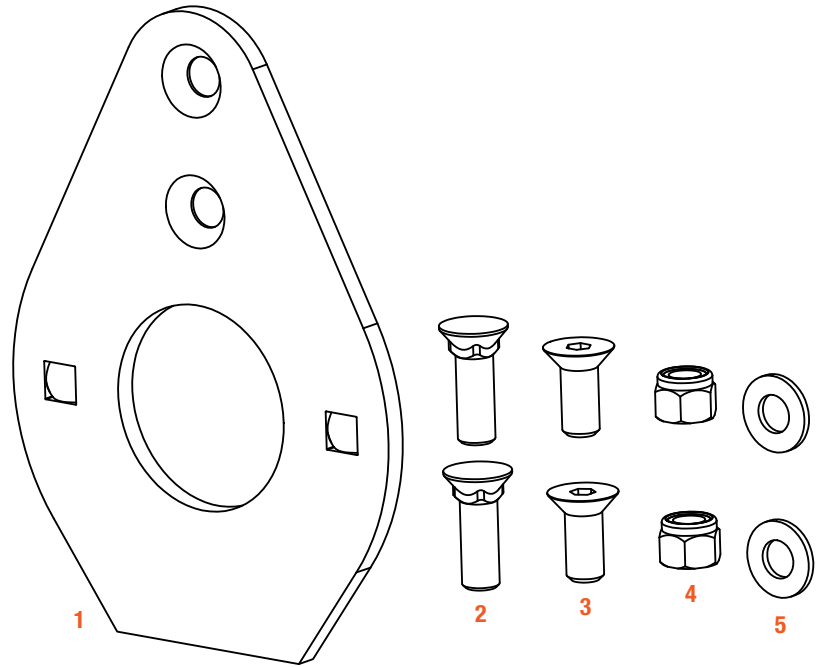


ASSEMBLY

Parts List

Item	Qty	Description
1	1	Wedge plate
2	2	Plow bolt, 5/8"
3	2	Flathead bolt, 5/8"
4	2	Nylock nut, 5/8"
5	2	Flat washer, 5/8"
6	2	*Hex bolt, 1/2"
7	2	*Nylock nut, 1/2"

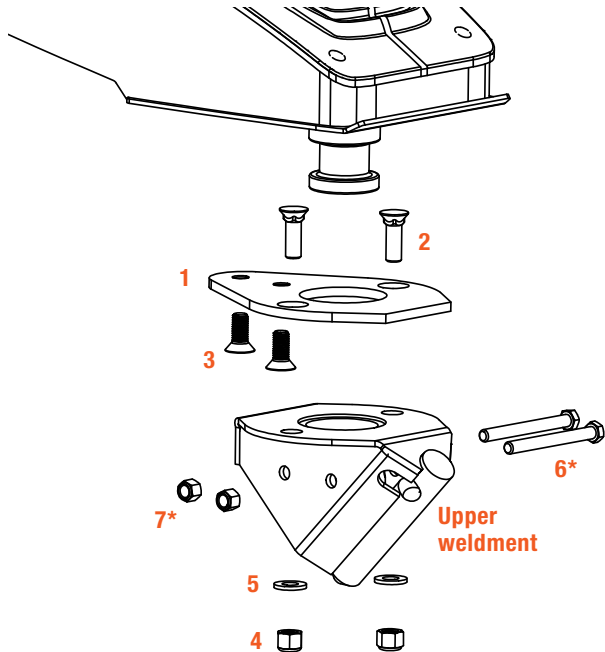
*Sold separately



ASSEMBLY

Step 1

Place plow bolts (#2) through the wedge plate (#1) as shown, making sure the top of the plow bolts are flush with the surface of the wedge plate. Fasten the wedge plate to the pin box with plow bolts in place with flat head bolts (#3). Torque both flathead bolts to 135 ft-lbs.



Step 2

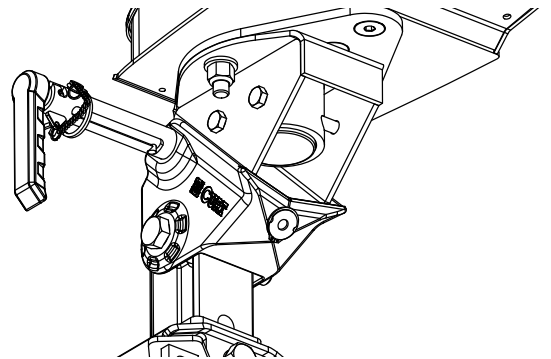
Place the upper weldment from the CrossWing™ hitch through the plow bolts and onto the king pin. Secure in place with flat washers (#5) and nylock nuts (#4). Torque both nylock nuts to 135 ft-lbs.

Step 3

Place both 1/2" hex bolts (#6) through the upper weldment and fasten with 1/2" nylock nuts (#7). Torque the 1/2" hex bolts and nuts to 65 ft-lbs.

NOTICE

1/2" bolts and nuts are included with CrossWing™ hitch.



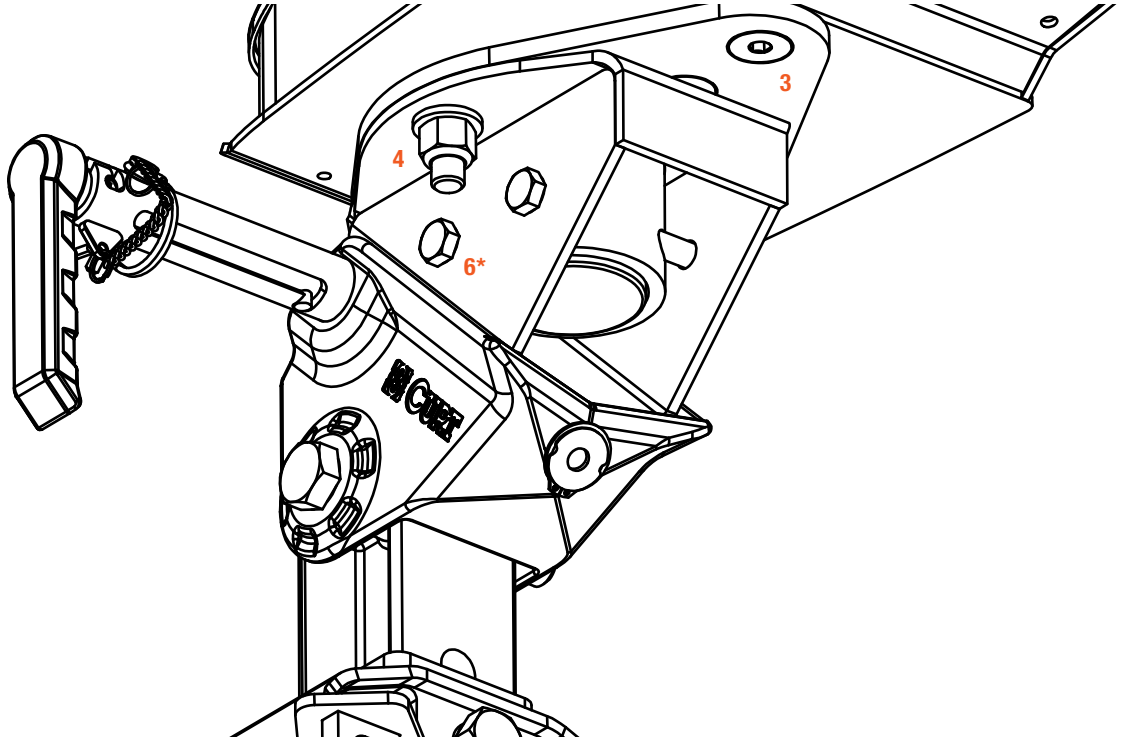
WARNING

Make sure any locking bolts are removed from pin box prior to coupling and use. Failure to remove locking bolts will prevent trailer from rotating and may cause vehicle and hitch damage or injury.

MAINTENANCE

Maintenance

The CURT 5th wheel hitch has been designed to offer years of safe and reliable service. To achieve the best performance and the longest possible service life, please follow the maintenance schedule below.



Component	Frequency	Instructions
Torque the 1/2" bolts	Every 1,000 miles	Torque the two 1/2" hex bolts (#6) to 65 ft-lbs. Re-torque after initial 500 miles and every 1,000 miles thereafter.
Torque 5/8" nylock nuts	Before each use and every 1,000 miles	Torque 5/8" nylock nuts (#4) to 135 ft-lbs.
Check flathead bolts	After each use and before long term storage	Check for looseness and re-torque flathead bolts (#3) to 135 ft-lbs. if necessary.