

INSTALLATION MANUAL

19102

Level of Difficulty

Easy

Installation difficulty levels are based on time and effort involved and may vary depending on the installer level of expertise, condition of the vehicle and proper tools and equipment.

Parts List

Item	Qty	Description
1	2	Half-round rail
2	4	Button head screw, M6
3	4	Flat head screw, M6
4	4	Lock washer, M6

Tools Required

Allen key, 4mm	--
----------------	----

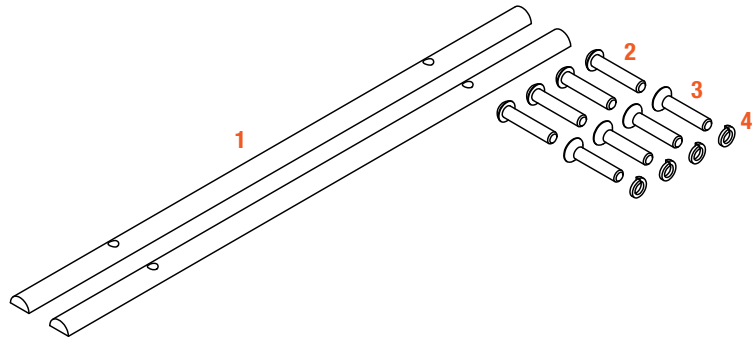
Product Registration and Warranty

CURT stands behind our products with industry-leading warranties. To get copies of the product warranties, register your purchase or provide feedback, visit: warranty.curtgroup.com/surveys

WARNING

Never exceed the vehicle manufacturer's recommended towing capacity.

Product Photo



NOTICE

Visit www.curtmfg.com for a full-color copy of this instruction manual, as well as helpful videos, guides and much more!

Before you begin installation, read all instructions thoroughly.

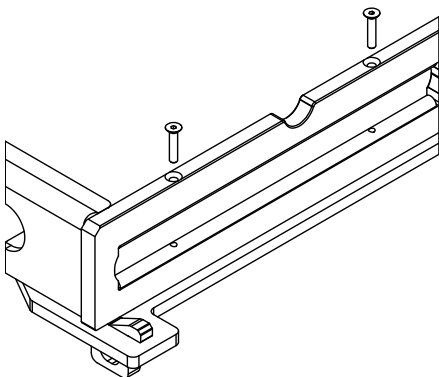
Proper tools will improve the quality of installation and reduce the time required.

Periodic inspection of your product should be performed to ensure all hardware and / or components remain secure.

To help prevent damage to the product or vehicle, refer to the specified torque specifications when securing hardware during the installation process.

Step 1

Secure the top half-round rail to the slider base using two M6 flat head screws. Torque fasteners to 6 ft-lbs.



Step 2

Secure the bottom half-round rail to the slider base using two M6 lock washers and two M6 button head screws. Torque fasteners to 6 ft-lbs.

Repeat for each replacement half-round installed on the top of the slider base.

