

INSTALLATION MANUAL

18416

Level of Difficulty

Easy

Installation difficulty levels are based on time and effort involved and may vary depending on the installer level of expertise, condition of the vehicle and proper tools and equipment.

Weight Carrying Capacity

Gross trailer weight (GTW)	3,500 lbs.
Tongue weight (TW)	350 lbs.

Parts List

Item	Qty	Description
1	1	ActiveLink™ ball mount

Tools Required

Socket, 1-1/8"	Torque wrench
Wrench, 1-5/8"	--

Product Registration and Warranty

CURT stands behind our products with industry-leading warranties. To get copies of the product warranties, register your purchase or provide feedback, visit: warranty.curtgroup.com/surveys

⚠ WARNING

Never exceed the vehicle manufacturer's recommended towing capacity.
 Never exceed the product's weight capacity or the tongue weight capacity of the trailer hitch.
 Do not modify or use this accessory for purposes other than for which it was designed.
 It is the user's responsibility to adhere to all state and federal laws regarding obstruction of vehicle lighting (i.e. brake lights, taillights, turn signals and backup lights) and license plate when using this accessory.

Product Photo



⚠ CAUTION

This product is not designed for off-road use.
 Do not install this product on a trailer or towed vehicle.
 Always be mindful of accessories extending beyond vehicle when operating.

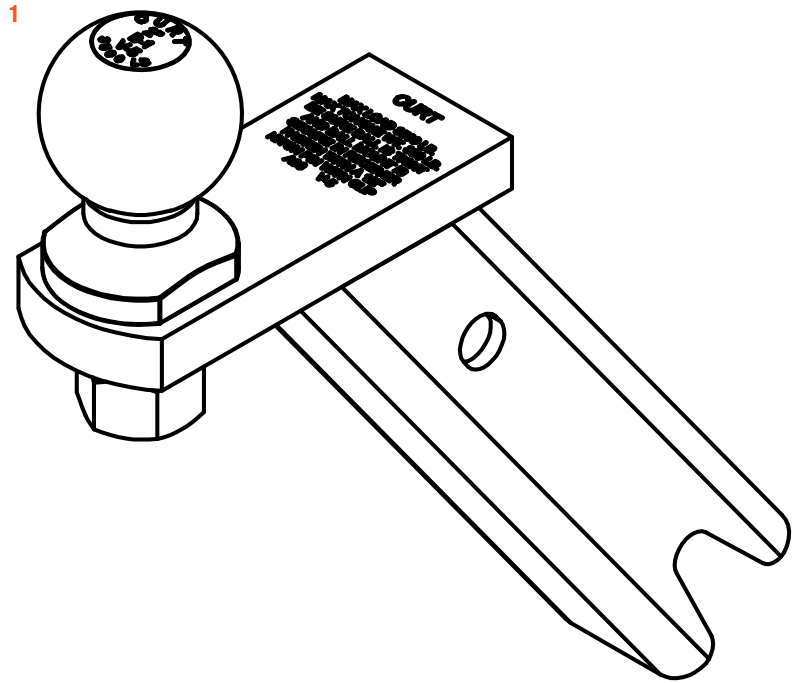
NOTICE

Visit www.curtmfg.com for a full-color copy of this instruction manual, as well as helpful videos, guides and much more!
 Before you begin installation, read all instructions thoroughly.
 Proper tools will improve the quality of installation and reduce the time required.
 Remove this accessory before entering automatic car washes.
 Periodic inspection of your product should be performed to ensure all hardware and / or components remain secure.

ASSEMBLY

Parts List

Item	Qty	Description
1	1	ActiveLink™ ball mount

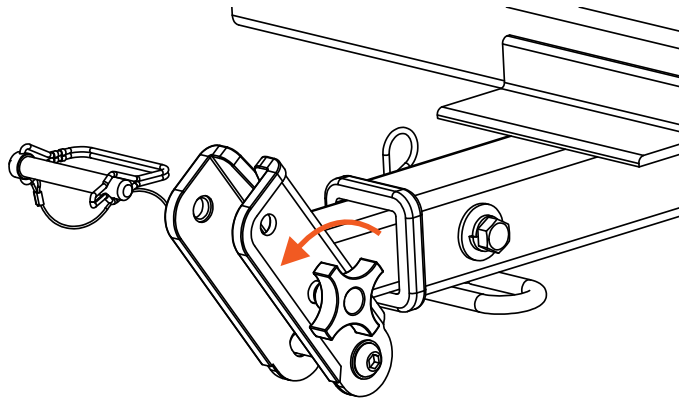


INSTALLATION

Step 1

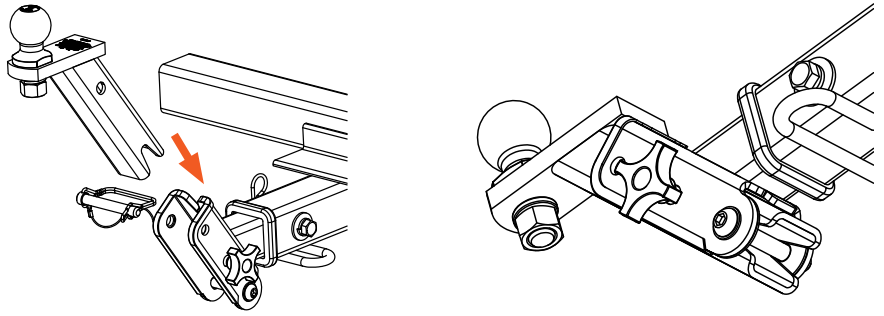
Begin with the ActiveLink shank installed in the vehicle's receiver per installation instructions included with the shank.

Ensure the anti-rattle handwheel is sufficiently loosened by turning counter-clockwise. Ensure clevis pin is removed.



Step 2

Align and insert the ball mount into the ActiveLink shank, resting the ball mount's notch on the bolt at bottom.



Step 3

Align the holes in the ActiveLink ball mount with the holes in the shank. Insert the clevis pin and snap the wire loop onto the pin.

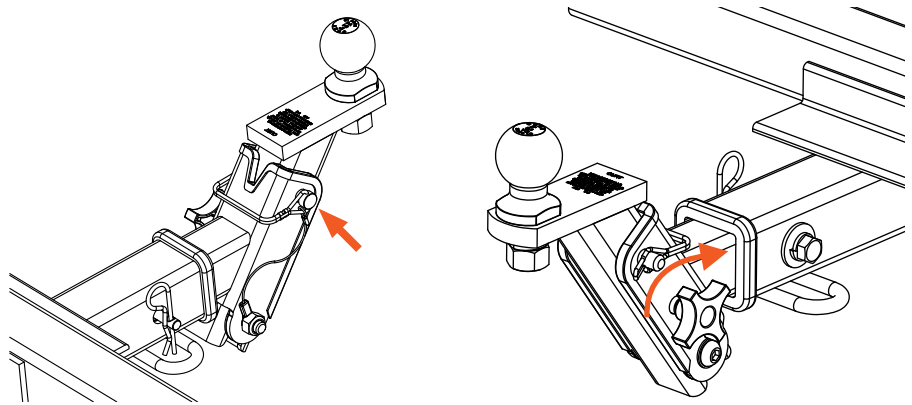
Turning clock-wise, tighten the anti-rattle hand wheel until no movement of the ball mount is noticed.

NOTICE

Over-tightening the hand wheel may damage the shank insert.

WARNING

Anti-rattle bolt, clevis pin and hitch ball must be properly installed before towing.

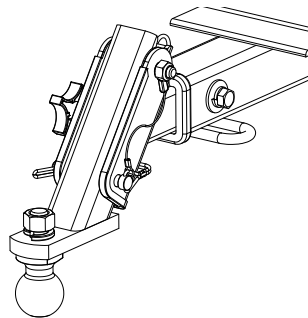


Step 4

If desired, the ActiveLink ball mount can be used in the drop position.

Orientate the ActiveLink shank in the vehicle's receiver as shown.

Tighten anti-rattle bolt per ActiveLink shank installation instructions.



Step 5

Remove the hitch ball using an 1-5/8" open-end wrench and 1-1/8" socket.

Orientate the hitch ball in the ball mount as shown. Install lock washer and nut.

Torque nut to 160 ft-lbs.

WARNING

Anti-rattle bolt, clevis pin and hitch ball must be properly installed before towing.

