

INSTALLATION MANUAL

18118

Level of Difficulty

Easy

Installation difficulty levels are based on time and effort involved and may vary depending on the installer level of expertise, condition of the vehicle and proper tools and equipment.

Weight Capacity

Weight capacity	150 lbs.	68 kg
-----------------	----------	-------

Parts List

Qty	Description	#
4	Rail clamp	1
2	Cross bar tube	2

Product Registration and Warranty

CURT stands behind our products with industry-leading warranties. To get copies of the product warranties, register your purchase or provide feedback, visit: warranty.curtgroup.com/surveys

⚠ WARNING

To Prevent Serious Injury or Death: Inspect for signs of wear, rust and damage before each use. Do not use if bent or deformed. Do not use cross bars to transport people, animals, or flammable liquids.

Product Photo



Notes and Maintenance

Before you begin installation, read all instructions thoroughly.

Proper tools will improve the quality of installation and reduce the time required.

Mild automotive detergent may be used to clean the product. Do not use dish detergent, abrasive cleaners, abrasive pads, wire brushes or other similar products that may damage the finish.

Make sure the cross bars are secured before every trip.

The cross bars must be periodically inspected for signs of wear, corrosion and fatigue. Check at each stop to ensure the load is secure.

Remove your cross bars when not in use and before entering automatic car washes.

Always obey all posted speed limits and be aware of traffic conditions. Adapt your speed to the conditions of the road and the load being carried.

Check local and state laws governing projection of objects beyond the perimeter of a vehicle.

Be aware of the width and height of your cargo in low clearance areas.

Do not use the cross bars for purposes other than those for which they were designed.

Do not attempt to modify the cross bars or any of the system components.

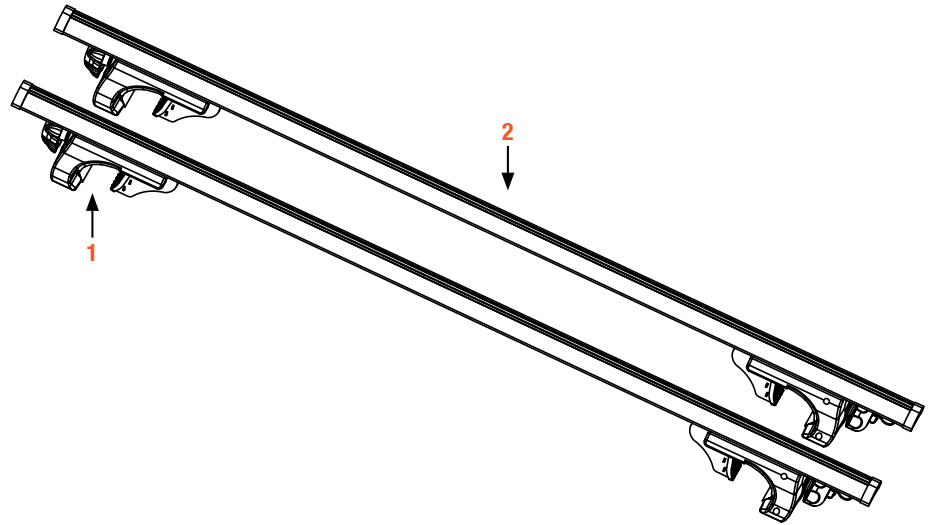
Product Registration and Warranty

CURT stands behind our products with industry-leading warranties. To get copies of the product warranties, register your purchase or provide feedback, visit: warranty.curtgroup.com/surveys

ASSEMBLY

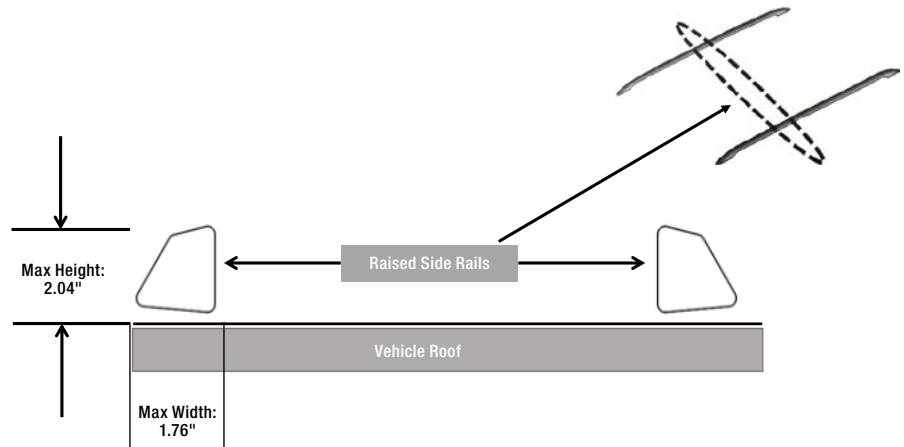
Parts List

Qty	Description	#
4	Rail clamp	1
2	Cross bar tube	2



Step 1

Measure and clean the roof side-rails on the vehicle. Close the sun roof or moon roof if applicable.



Step 2

Adjust the rail clamps to the approximate width of the vehicle side rails (dimension y).

Place the cross bars onto the vehicle side rails. Ensure there is an equal overhang (dimension x) on both sides of each cross bar.

Adjust to the desired distance between the cross bars, maintaining a minimum of 20" (50 cm).

Firmly tighten the rail clamp knobs to secure the cross bars to the vehicle roof side-rails.

Note: One knob on each cross bar locks. Turning the key one half turn clockwise disengages the knob so that it moves freely and no adjustment can be made.

Confirm the cross bars are secure by giving each cross bar a push / pull.

