

INSTALLATION INSTRUCTIONS

WARNING: NEVER EXCEED YOUR VEHICLE MANUFACTURER'S RECOMMENDED TOWING CAPACITY

TRAY-STYLE BIKE RACK



WARNINGS

This product is not intended for off-road use, tandems or recumbents.

Do not install on a trailer or other towed vehicle.

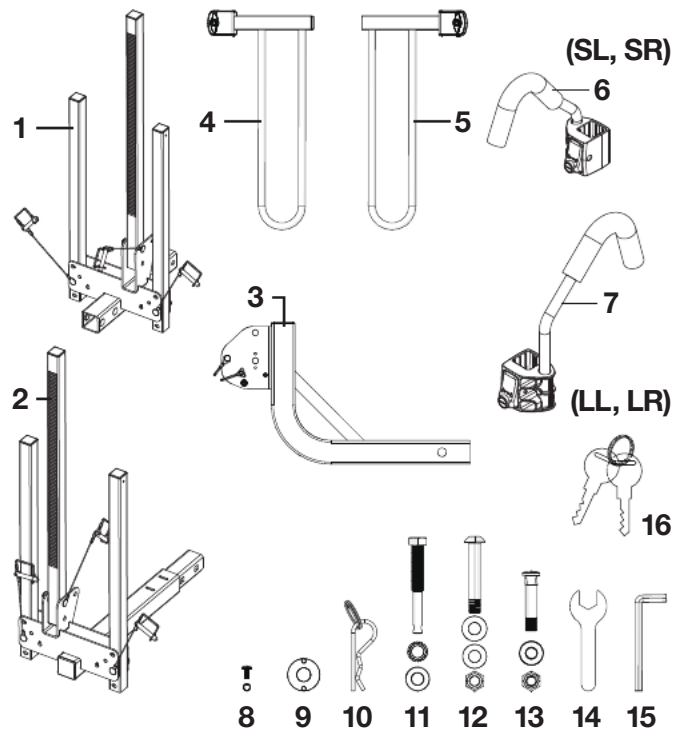
Check tightness of all bolts periodically.

Never use bike rack with a hitch extender.

The provided anti-rattle bolt must be threaded completely through the vehicle's receiver tube and tightened to 75 ft. lbs. If not completely tightened, the bike rack can shake, rattle, rock and vibrate. This could potentially cause damage to the bikes.

PARTS LIST

Item#	Qty	Description
1	1	Main body rack arms
2	1	Extension rack arms
3	1	Hitch mounting shank
4	4	Support arm
5	4	Support arm
6	2	Locking arm, short (SL,SR)
7	2	Locking arm, long (LL, LR)
8	6	Pan head screw, M6 - 10mm
9	2	Spacer
10	1	Clip
11	1	Anti-rattle bolt set, 1/2" - 96mm
12	1	Shank bolt set, 1/2" - 76mm
13	2	Extension bolt set, 1/2" - 60mm
14	1	Metric wrench
15	1	Allen wrench, M8
16	2	Key set



ASSEMBLY

Step 1

Remove security pins from shank (#3). Insert spacers (#9) into the inside of hitch mounting shank (#3) as shown in Figure 1, Detail A. After spacers are inserted, place the main body rack (#1) into shank (#3) and secure with the two security pins (previously removed) and shank bolt (#12) as shown in Detail B. Tighten bolt using wrenches provided (#14, #15). See Detail C.

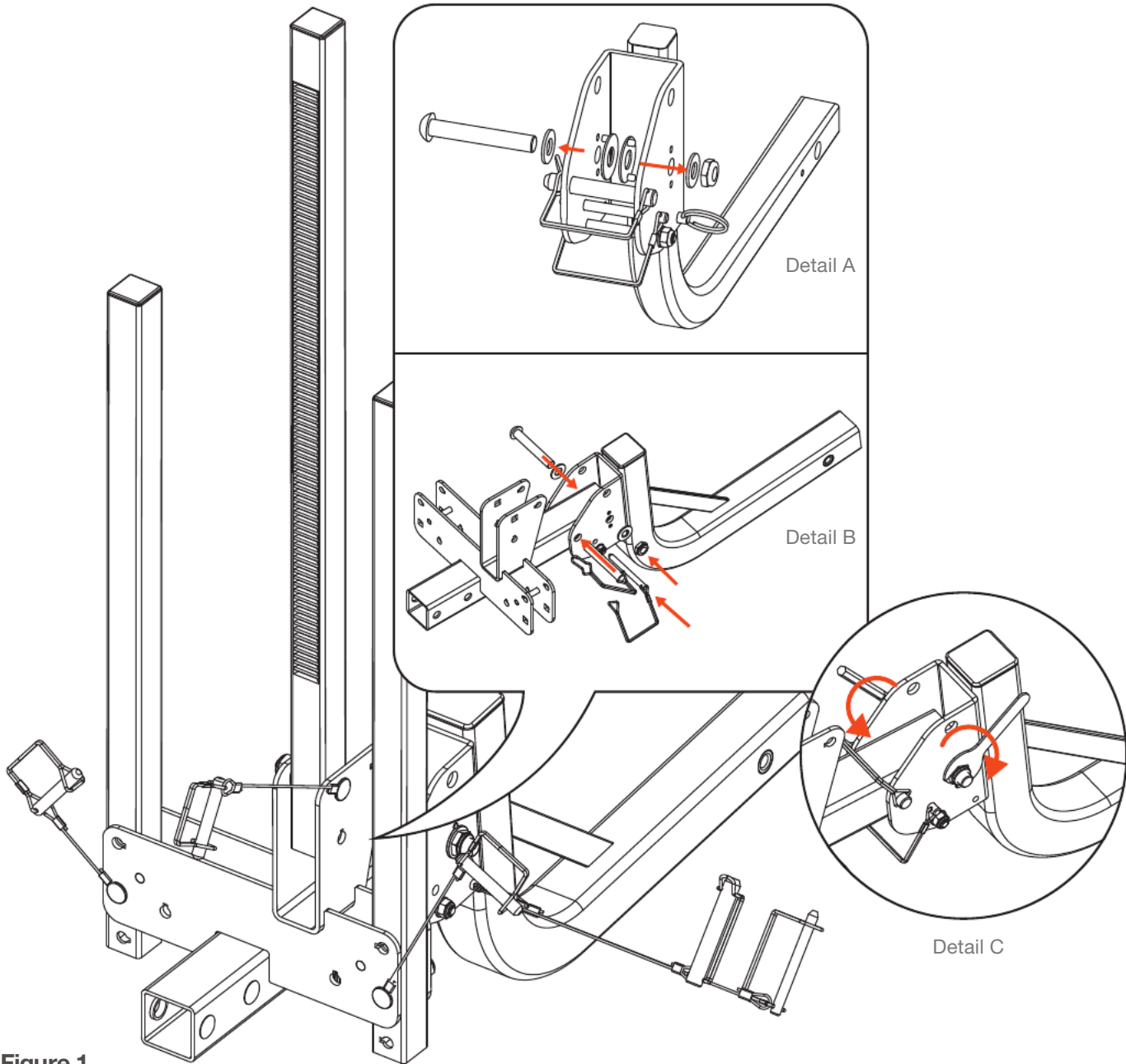


Figure 1

ASSEMBLY

Step 2

Remove the outer arm pins & clips from main body rack (#1). See Figure 2, Detail D. Drop the side arms down to until they lay flat, see Figure 2. Re-insert the security pins & clips to secure in place, see Detail E.

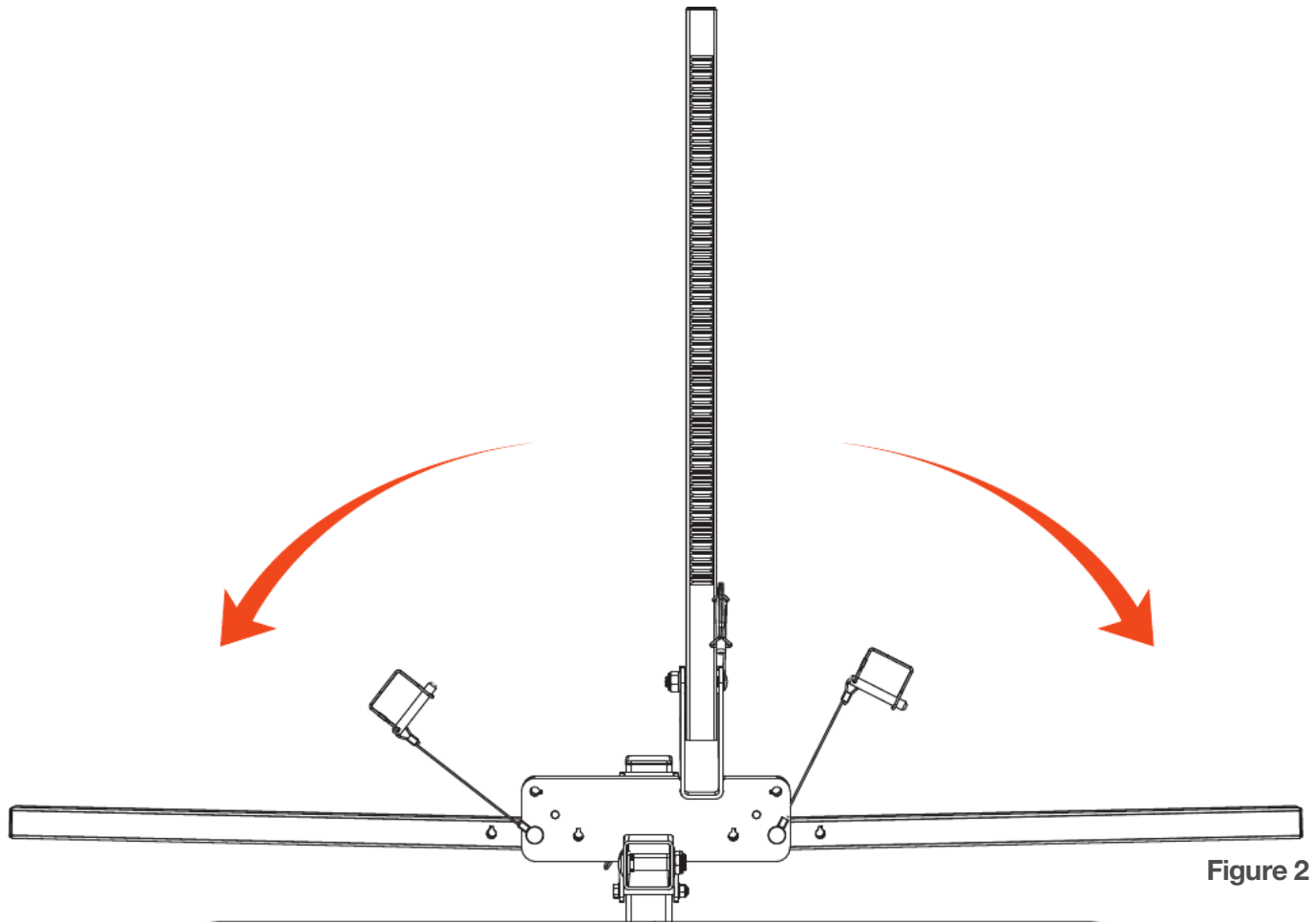
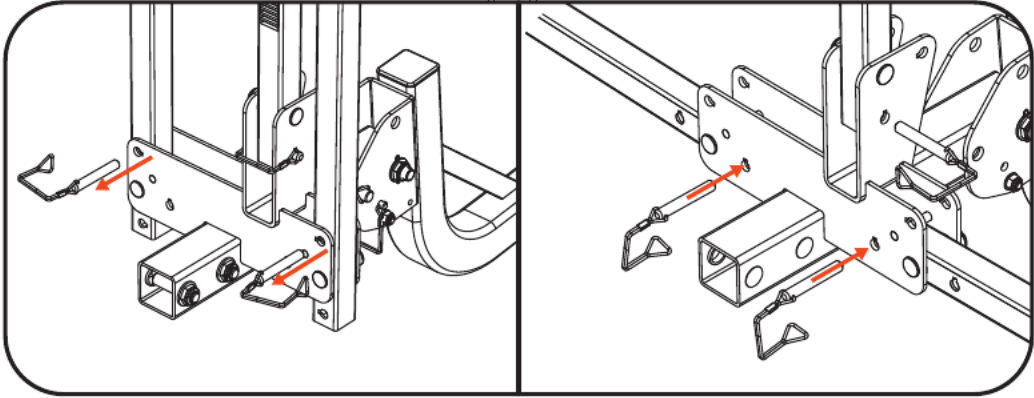


Figure 2



Detail D

Detail E

ASSEMBLY

Step 3

Slide on two of each support arm (#4, #5) onto the main body rack (#1) arms, making sure the tightening knob is facing upward. See Figure 3. Tighten the knobs as shown in Figure 4, Detail F. After the supports are tightened, insert pan head screw (#8) into the end of each arm as shown in Figure 4, Detail G.

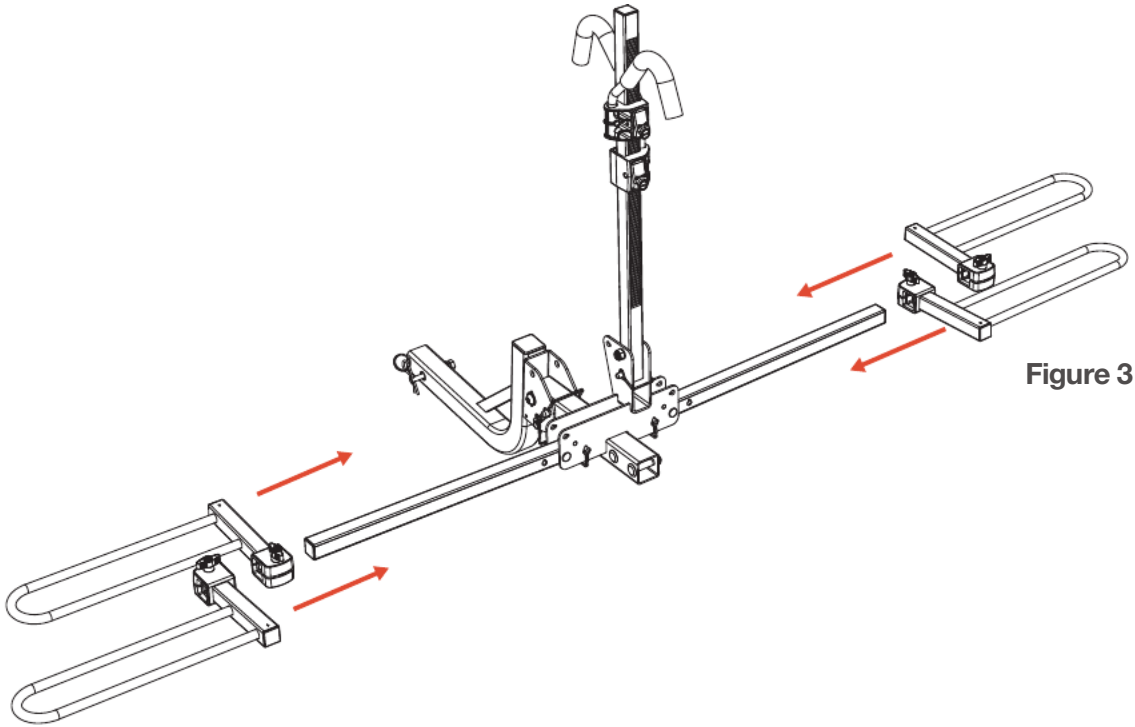


Figure 3

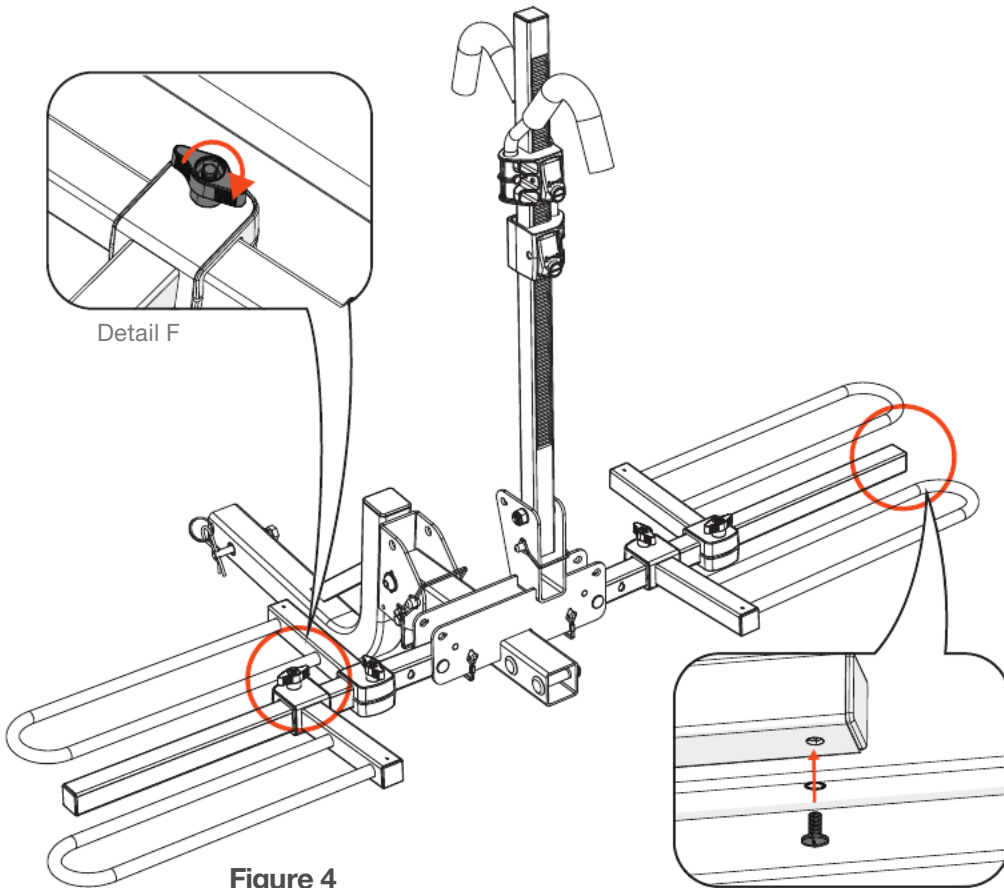


Figure 4

Detail G

ASSEMBLY

Step 4

Slide the long locking arm (#7) onto the middle arm of the main body rack (#1), making sure the locking arm is facing the mounting shank (#3). Repeat this process with the short locking arm (#6). See Figure 5, Details H. Press hooks down onto bike frame until it makes contact and then press down firmly until you hear one to two additional clicks from the ratchet system. After the locking arms are installed, insert pan head screw and lock washer (#8) into the end of the center post as shown in Figure 5, Detail I.

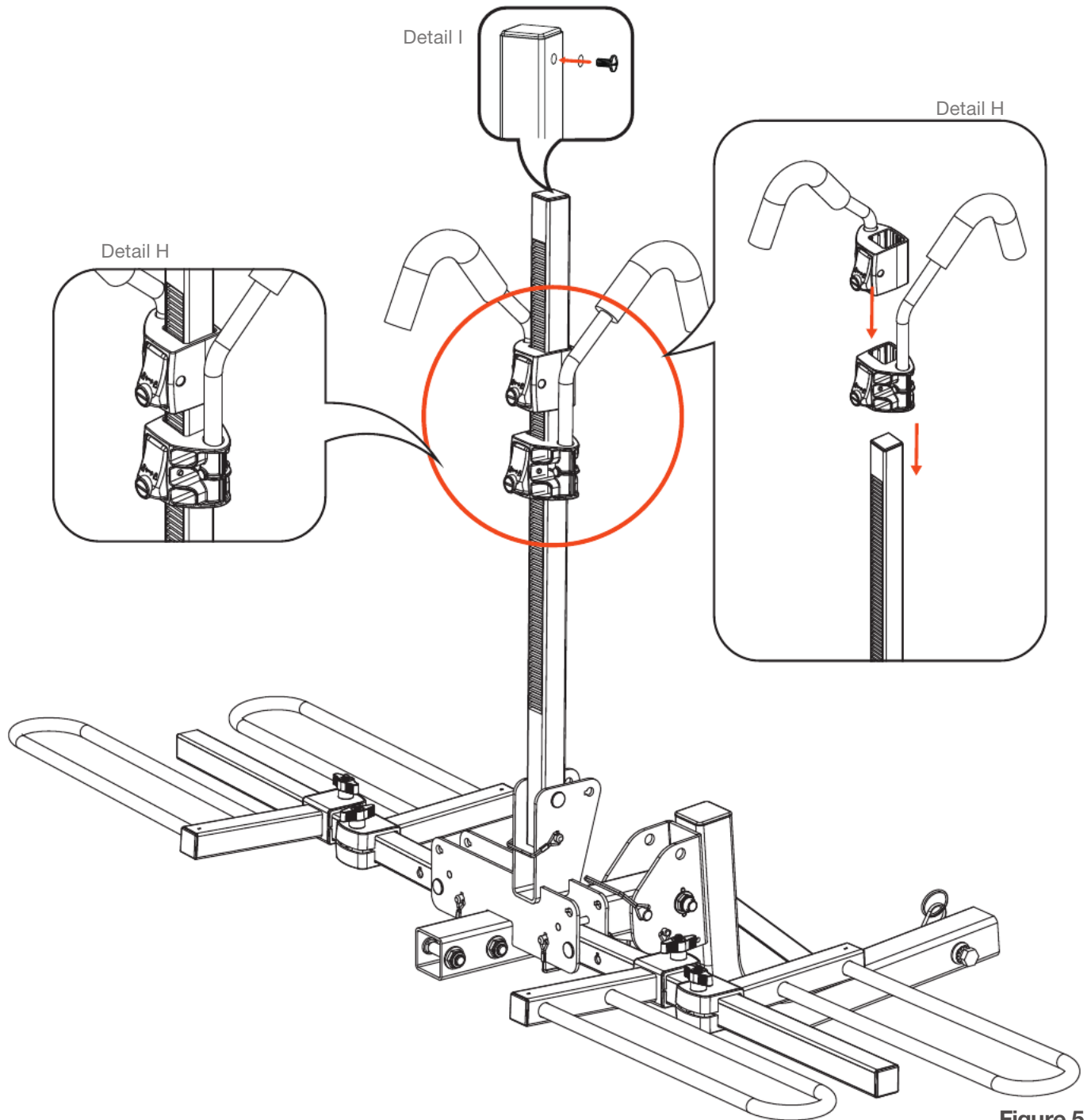
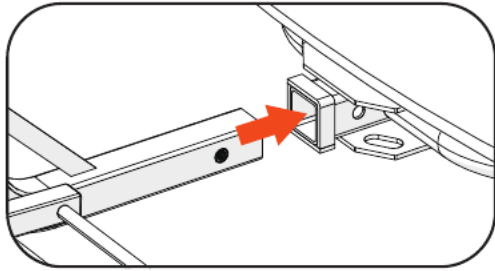


Figure 5

INSTALLATION

To install your bike rack on your vehicle, slide the shank into your receiver hitch tube opening (see Figure 6, Detail J) and secure with the anti-rattle bolt (#11) (see Detail K) and clip (#10) (see Detail L).

WARNING: Anti-rattle bolt must be threaded completely through the vehicle's receiver tube and tightened to 75 ft. lbs. If not completely tightened, the bike rack can shake, rattle, rock and vibrate. This could potentially cause damage to the bikes.



Detail J

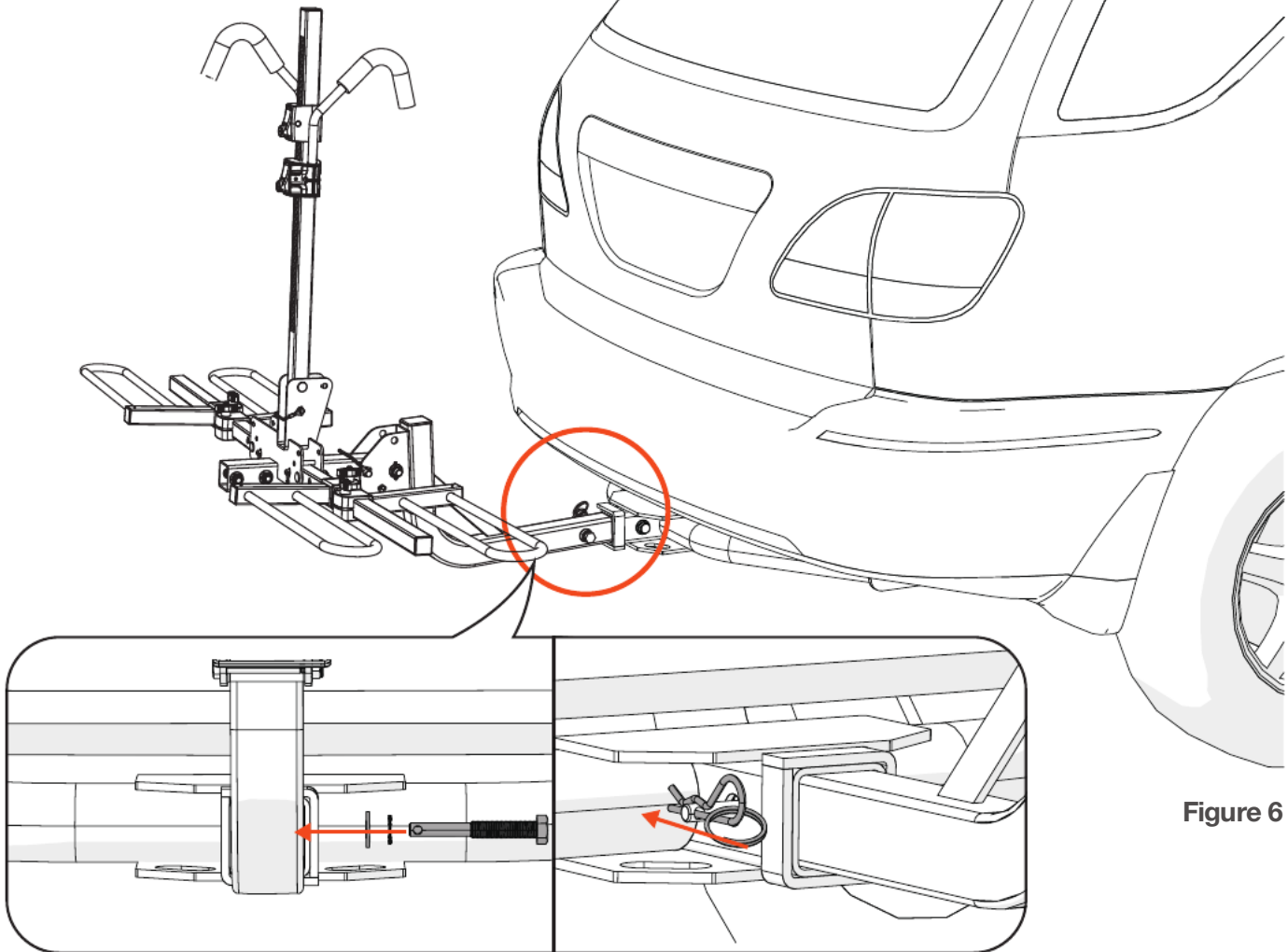


Figure 6

Detail K

Detail L

ASSEMBLE AND INSTALL THE 2-BIKE EXTENSION

To assemble

Assemble the extension following steps 2 through 4 in the 'Assembly' section using the extension rack arms (#2).

To install

Insert shank of extension rack (#2) into the open shank of the main body rack (#1).

Secure using both extension bolt sets (#13). See Figure 7, Detail M.

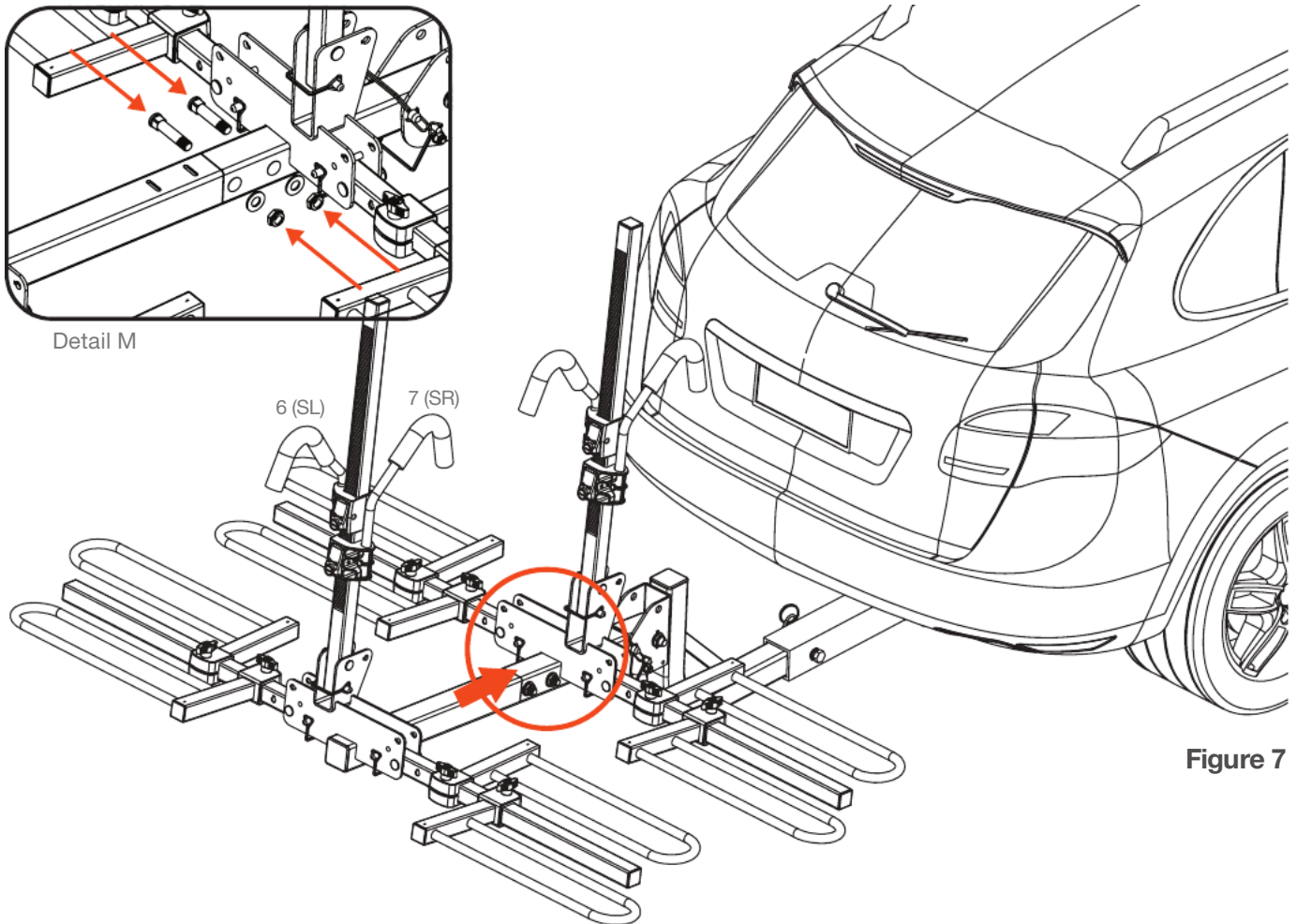


Figure 7

USE

Load the heaviest bike onto rack set closest to the vehicle. Raise the long lock arm (#7) to get the bike cross beam underneath it. Once bike is in place, lower the locking arm down onto the crossbar. See Figure 8, Detail N.

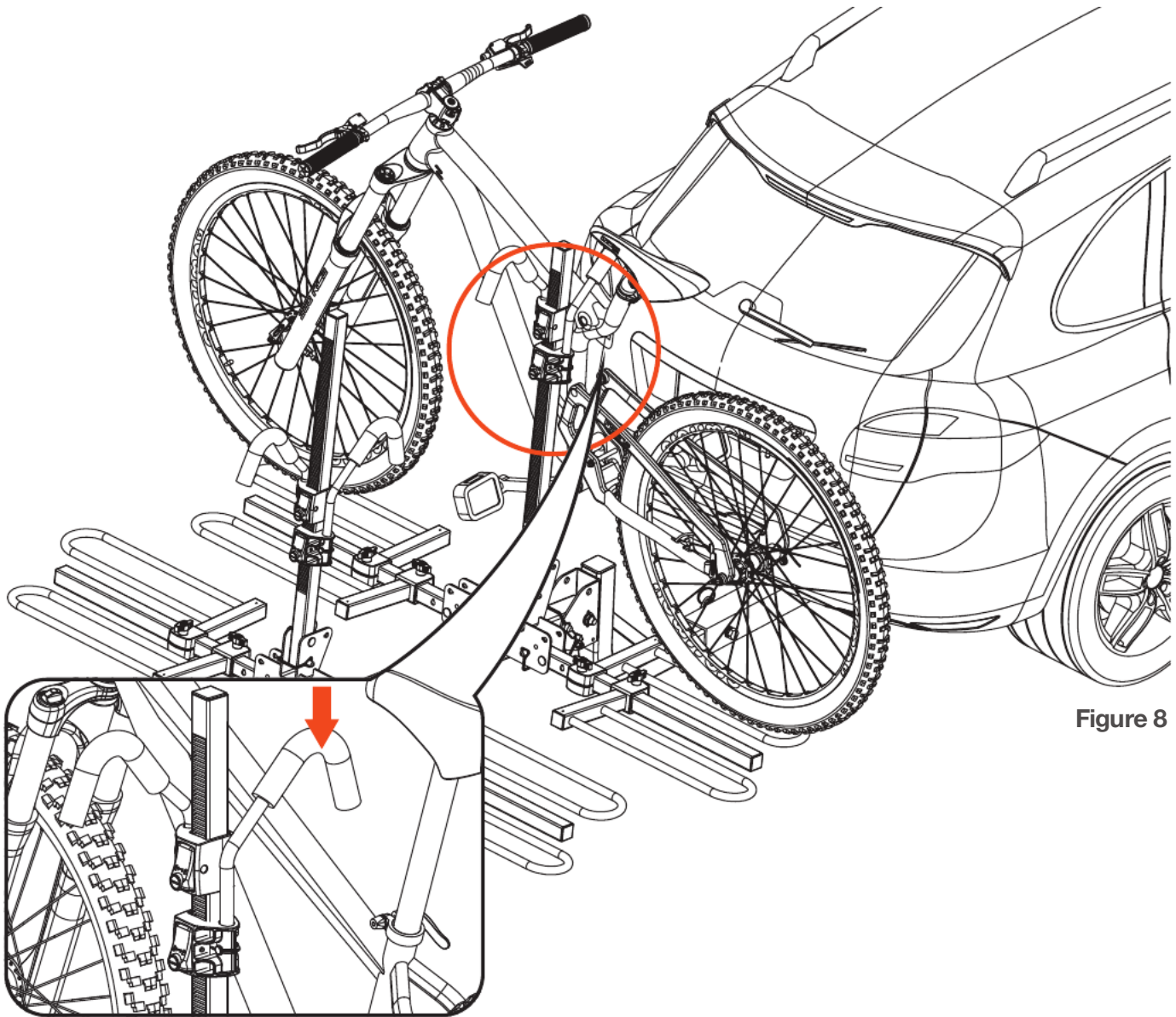


Figure 8

Detail N

REAR VEHICLE ACCESS

Remove the security pins from the base of the bike rack and replace them in the top hole of the base plate so the carrier does not tip too far down. See Figure 9, Detail O. Tilt the carrier down until it is supported by the security pins. See Figure 9.

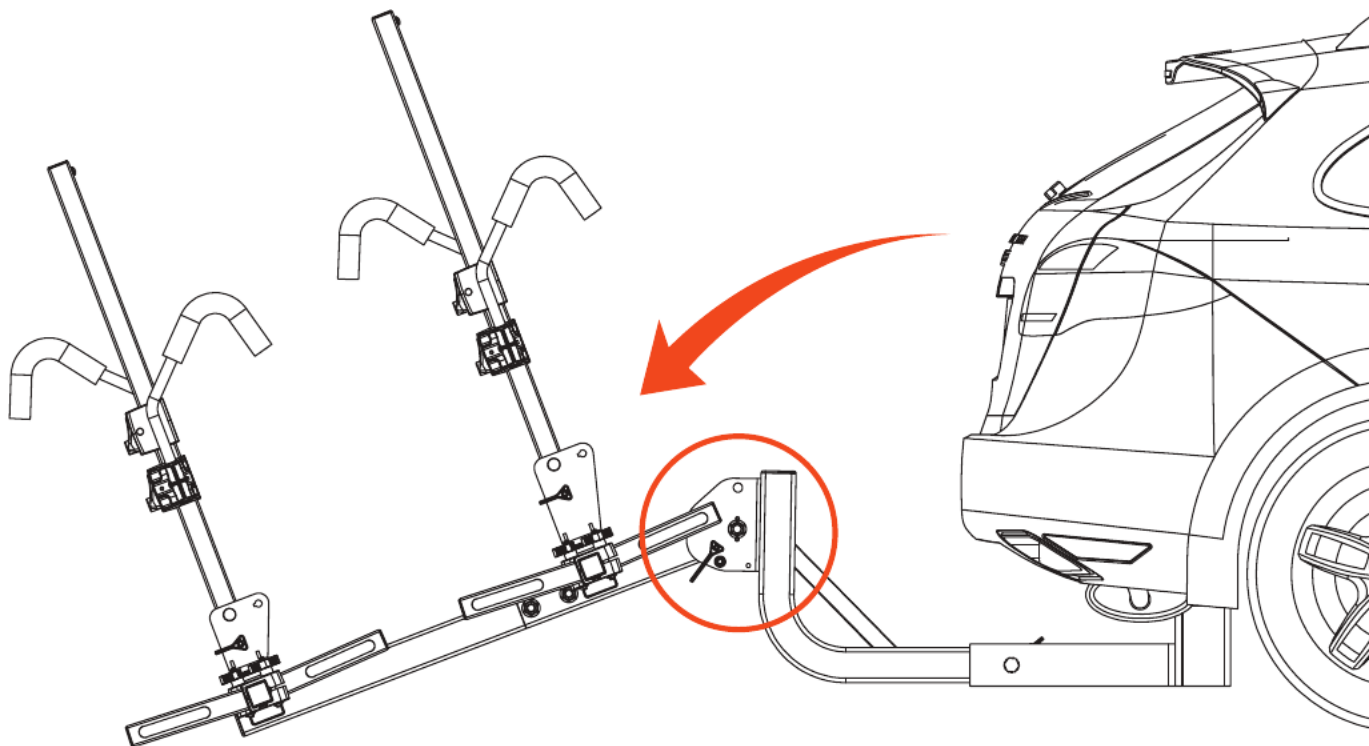
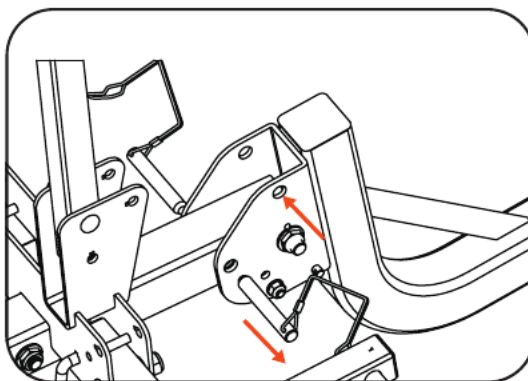


Figure 9



Detail O

TRAVEL STORAGE: OPTION 1

Remove the outer arm pins & clips from the base's face plates. See Figure 10, Detail P.
Raise side arms up and replace the pins to secure into place. See Detail Q.

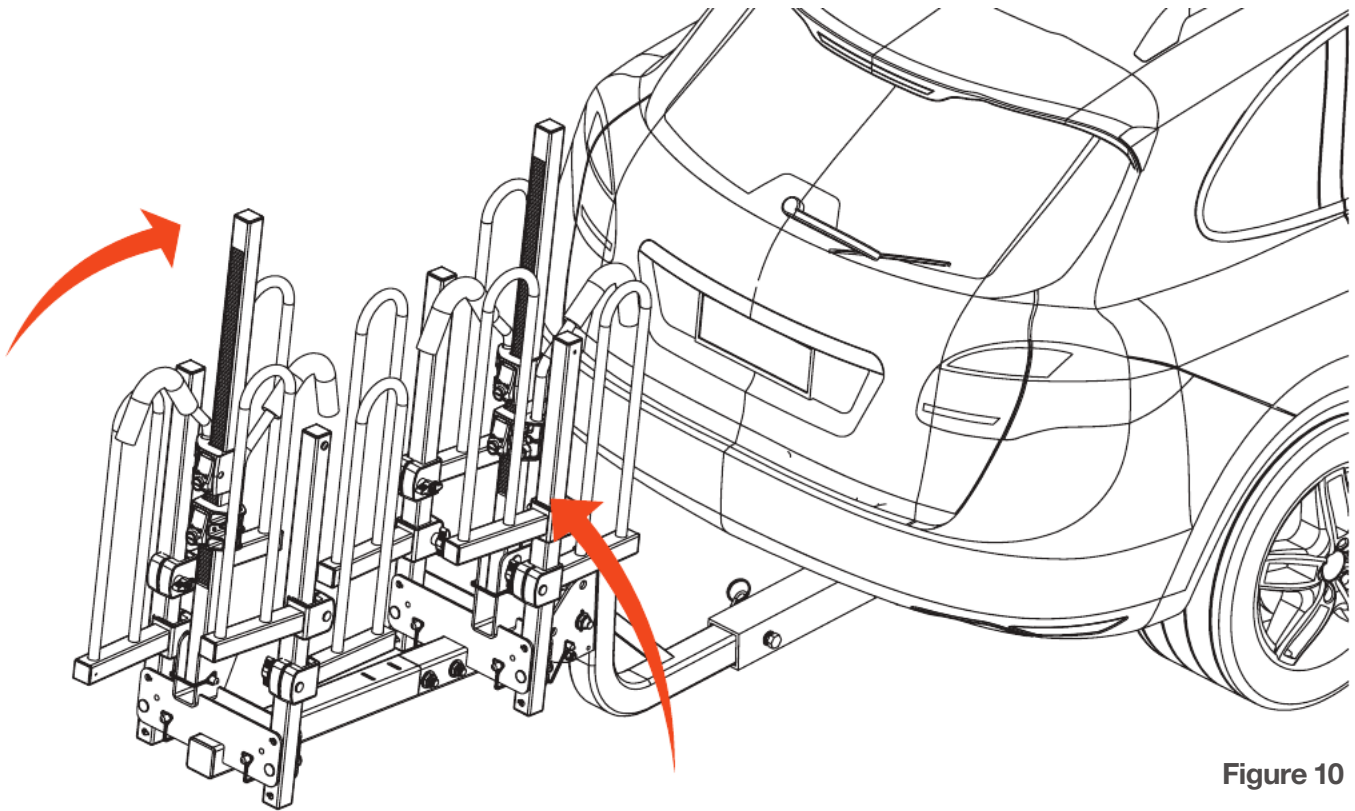
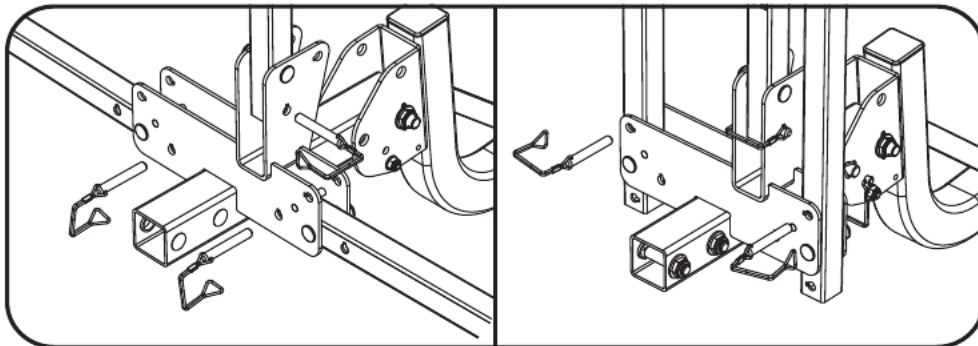


Figure 10



Detail P

Detail Q

TRAVEL STORAGE: OPTION 2

Remove the middle arm pins & clips from the face plates. Lower the middle arms, one to each side, and replace the pins to secure into place. See Figure 11, Detail R.

With the arms down and secure, you can now remove the security pins from the base of the bike rack and lift the whole rack up until it is parallel to your vehicle. Replace the security pins to hold in place. See Detail S.

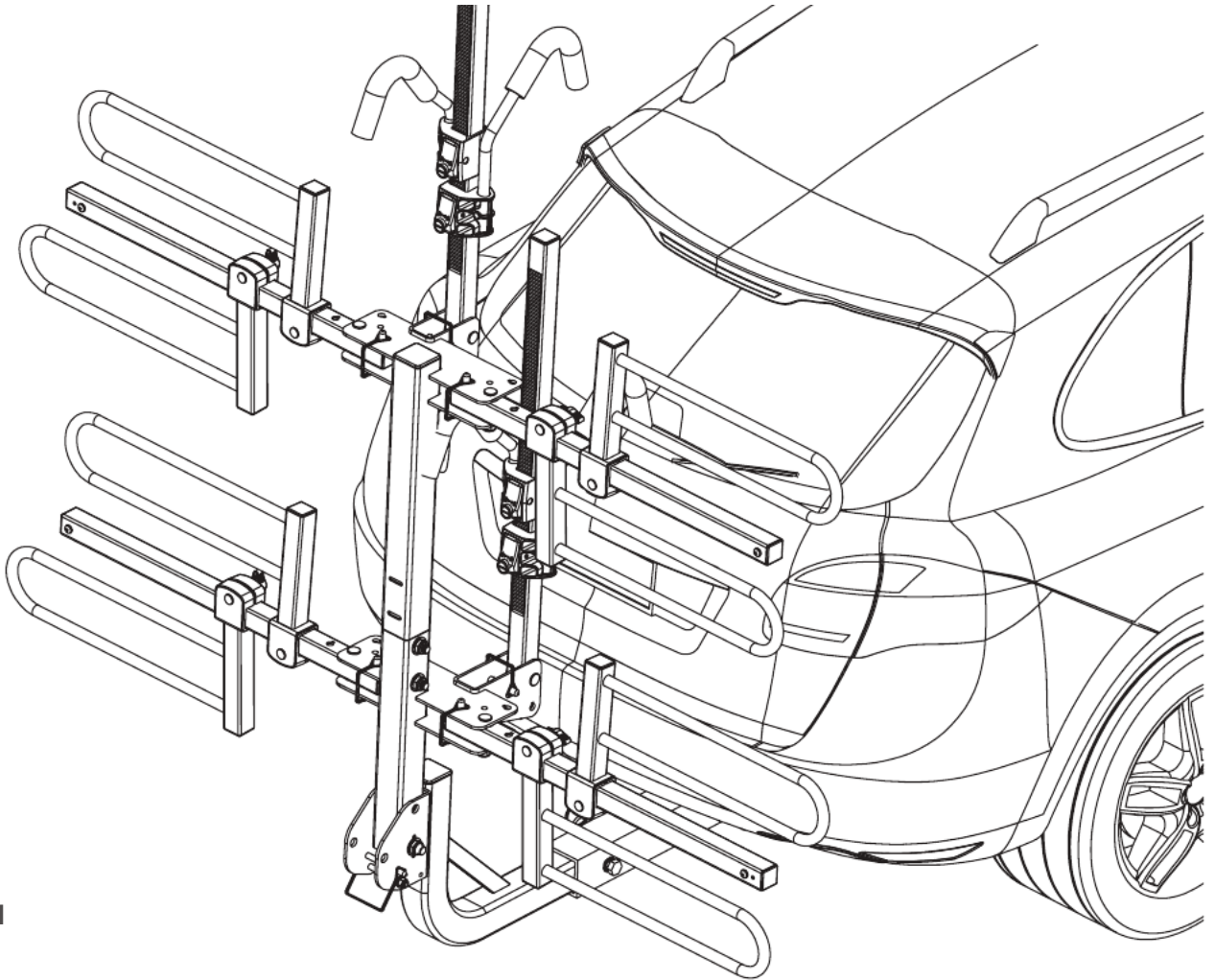
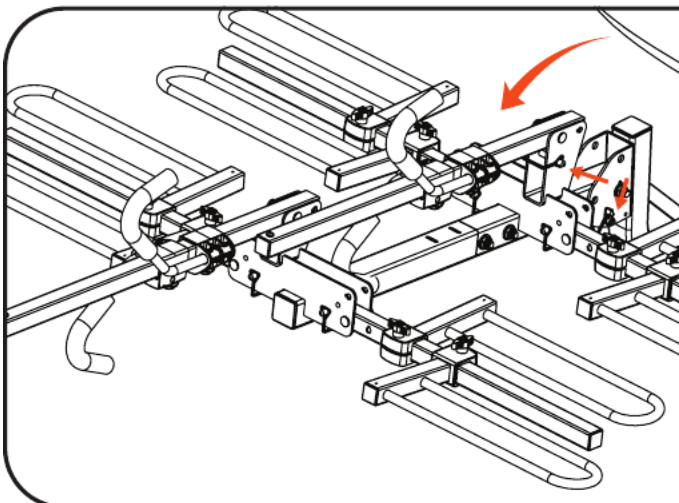
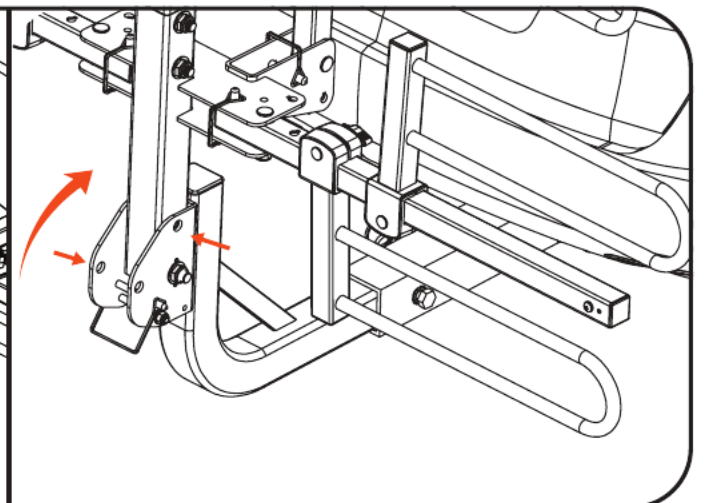


Figure 11



Detail R



Detail S