



CURT™

The FIRST Name
in Towing Products™

INSTALLATION INSTRUCTIONS

WARNING: NEVER EXCEED YOUR VEHICLE MANUFACTURER'S RECOMMENDED TOWING CAPACITY

TOWABLE HITCH-MOUNTED BIKE RACK



WARNINGS

Check straps for wear, and replace if worn.

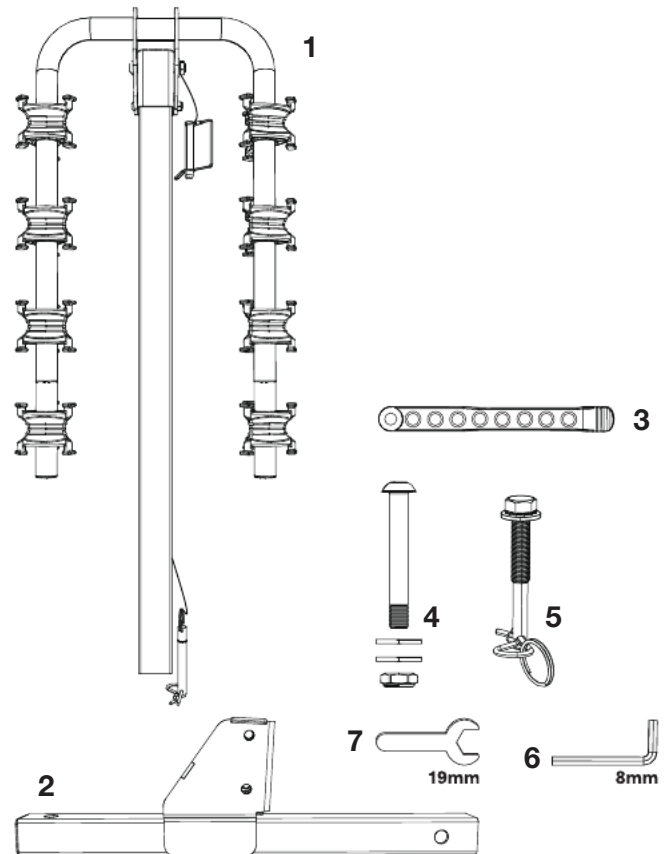
This product is not intended for off-road use, tandems or recumbents.

Do not install on a trailer or other towed vehicle.

Check tightness of all bolts periodically.

PARTS LIST

Item#	Qty	Description
1	1	Arm post
2	1	Shank, 2"
3	12	Arm straps, rubber
4	1	Bolt kit, hex head (bolt, two washers, nut)
5	1	Anti-rattle bolt and clip
6	1	Allen wrench, 8mm
7	1	Wrench, 19mm



ASSEMBLY

Step 1

Raise the arms to the outright position and secure with the attached lynch pin. See figure 1-A.

Step 2

Turn the knob on the bottom of the towable shank counter-clockwise to allow the connecting arm post (#1) into the shank (#2). See figure 1-B.

Step 3

Using the hex head bolt kit (#4), attach the bottom of the arm post (#1) to the shank (#2). Make sure to install the bolt in the bottom hole. See figure 1-C. Insert the bolt that is connected to the post through the top hole of the shank and secure with the provided clip. See figure 1-D.

Step 4

Turn the knob on the bottom of the towable shank clockwise to lock the connecting arm post (#1) into the shank (#2). See figure 1-E.

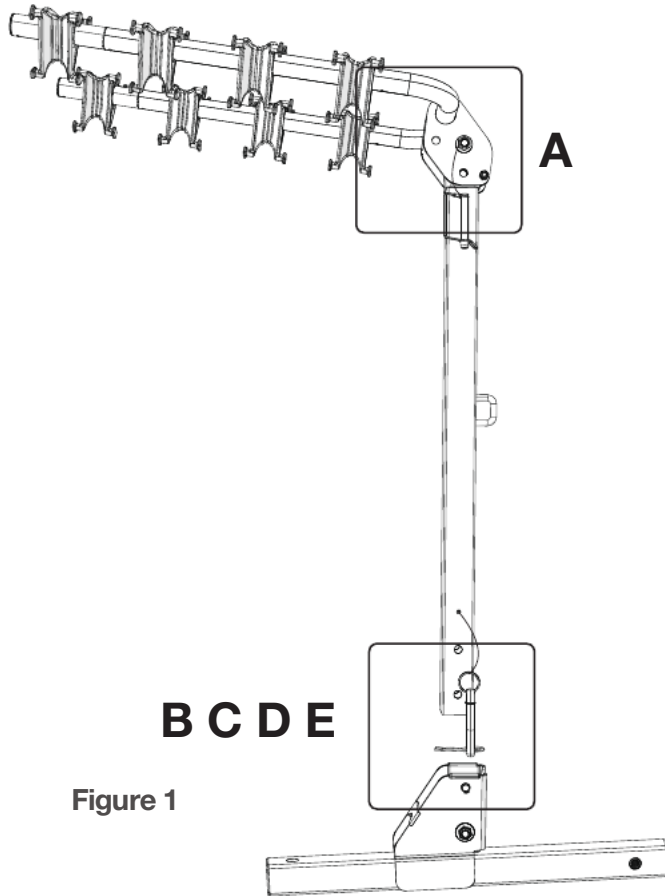


Figure 1

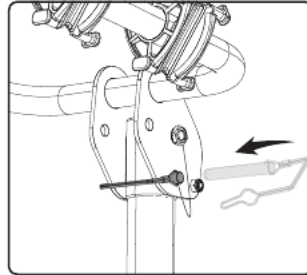


Figure 1-A

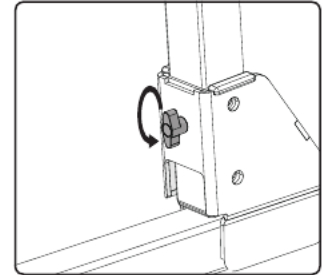


Figure 1-B

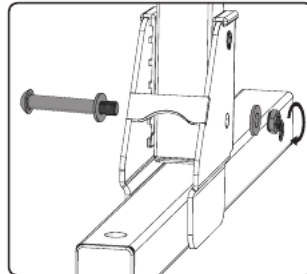


Figure 1-C

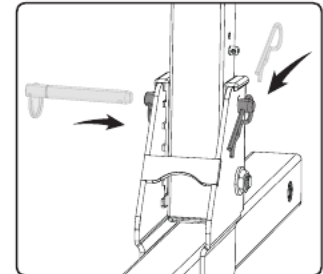


Figure 1-D

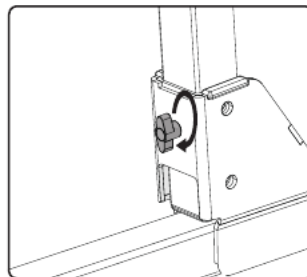
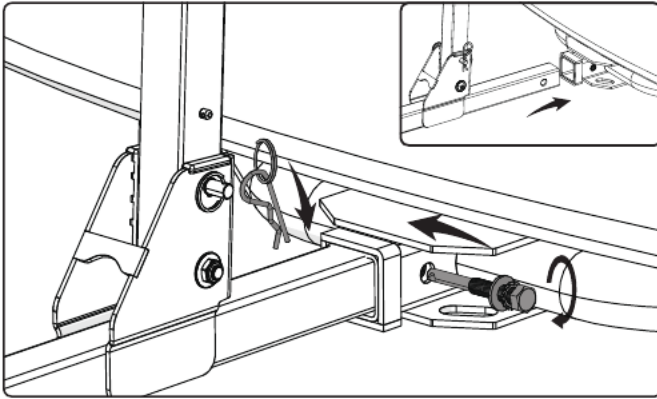


Figure 1-E

INSTALLATION

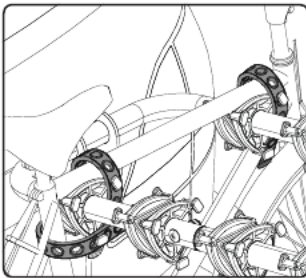
Step 1

Insert the bike rack shank into the vehicle receiver tube. Secure with anti-rattle bolt and clip (#5).

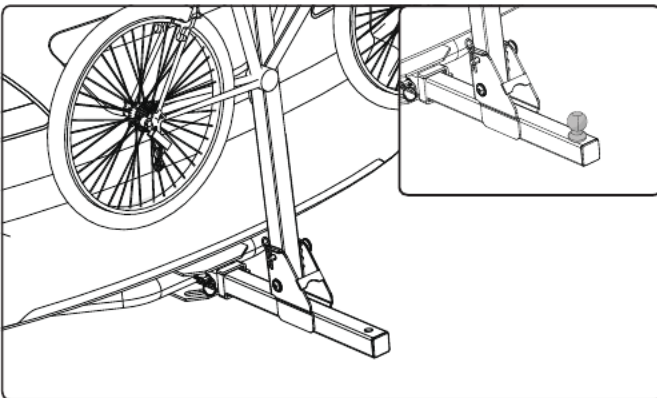


Step 2

Install the bikes on the rack and secure with the provided rubber bike arm straps (#3). Be sure to secure the cross post and seat post to the rack. **Note:** When towing more than one bike, be sure to alternate the directions the bikes are facing on the rack. First bike faces right, 2nd bike faces left and so on. See the figure below.

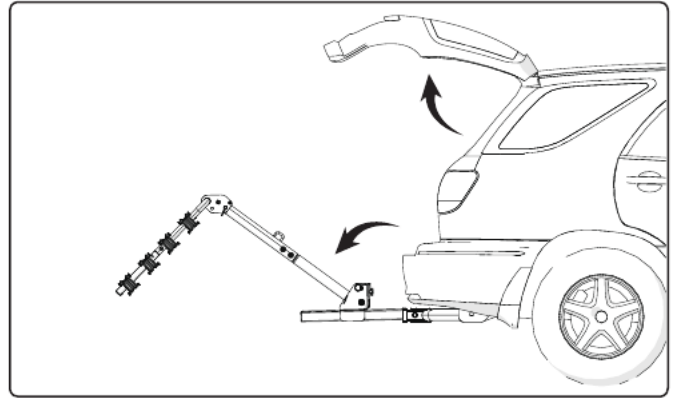


Note: The towable shank (#2) allows the addition of a trailer ball for convenient towing while using the hitch-mounted bike rack.



FOLDING FEATURES

At the base, remove the clip from the upper bolt holding the bike rack in the vertical position. Remove the bolt and tilt the rack away from the vehicle. The rear cargo area is now accessible.



At the top, pull the lynch pin that secures the arms in the outward position. Fold the bike rack arms down to the transport position, and replace the lynch pin.

