

# INSTALLATION MANUAL

# 18020

## Level of Difficulty

Easy

Installation difficulty levels are based on time and effort involved and may vary depending on the installer level of expertise, condition of the vehicle and proper tools and equipment.

## Weight Carrying Capacity

1 bike	45 lbs.
2 bikes	90 lbs.
4 bikes*	180 lbs.

\*Part #18021 has a maximum capacity of 180 lbs. evenly distributed when expanded to 4 bike carrier with extension arms

## Parts List

Item	Qty	Description
1	1	Arm extension
2	1	Arm straps, rubber

## Tools Required

Phillips screwdriver	Wrench, 19mm
----------------------	--------------

## ⚠ WARNING

Never exceed the vehicle manufacturer's recommended towing capacity.

Never exceed the product's weight capacity.

Do not modify or use this accessory for purposes other than for which it was designed.

Failure to use support straps on trailer hitches with 1-1/4" receiver tubes voids the trailer hitch and bike rack warranties.

Check straps for wear, and replace if worn.

This product is not intended for off-road use, tandems or recumbents

It is the user's responsibility to adhere to all state and federal laws regarding obstruction of vehicle lighting (i.e. brake lights, taillights, turn signals and backup lights) and license plate when using this accessory.

For use with any frame-mounted 2" class 3 or higher trailer hitch receiver.

**Note:** Clamp-on bumper receivers and traditional 4" square bumpers should not be used to mount bike racks. Do not exceed receiver weight limits

## Product Photo



## NOTICE

Visit [www.curtmfg.com](http://www.curtmfg.com) for a full-color copy of this instruction manual, as well as helpful videos, guides and much more!

Before you begin installation, read all instructions thoroughly.

Proper tools will improve the quality of installation and reduce the time required.

Periodic inspection of your product should be performed to ensure all hardware and / or components remain secure.

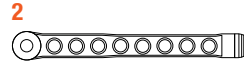
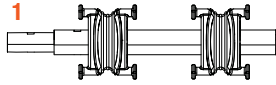
## Product Registration and Warranty

CURT stands behind our products with industry-leading warranties. To get copies of the product warranties, register your purchase or provide feedback, visit: [warranty.curtgroup.com/surveys](http://warranty.curtgroup.com/surveys)

# ASSEMBLY

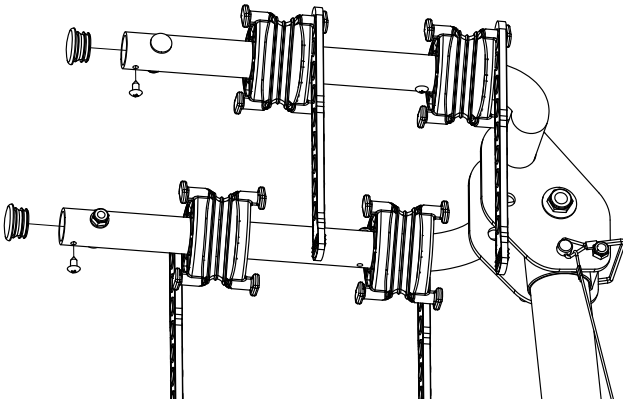
## Parts List

Item	Qty	Description
1	1	Arm extension
2	1	Arm straps, rubber



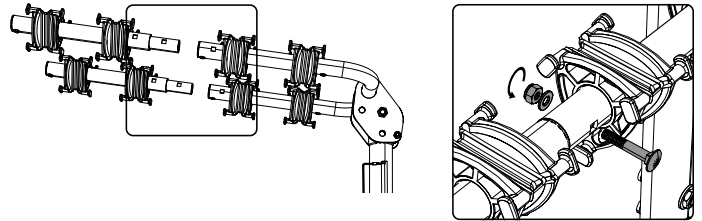
## Step 1

Remove the plastic caps from the support arms on the 18021 bike rack by removing the screws on the bottom surface. The end caps will not be reinstalled.



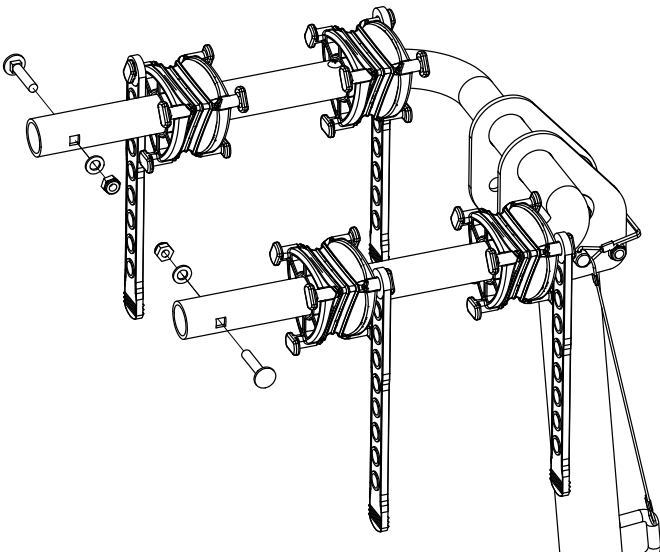
## Step 3

Insert the extension arms into the ends of the support arms of the 18021 after removing the end caps and carriage bolts in steps 1 and 2. Secure the extensions by re-installing the carriage bolts, washers and lock nuts removed in step 2.



## Step 2

Remove the carriage bolts, washers and lock nut to allow insertion of the extension arm as shown below.



## Step 4

Complete your installation by attaching the rubber support straps to each bike support cradle. Refer to your 18021 installation manual for additional information on operation and safe use of your bike rack.