

INSTALLATION MANUAL

16574

This is the first of two manuals required to complete this installation. The second manual is included with your 5th wheel head.

Level of Difficulty

Easy

Installation difficulty levels are based on time and effort involved and may vary depending on the installer level of expertise, condition of the vehicle and proper tools and equipment.

Weight Carrying Capacity

Gross trailer weight (GTW)	25,000 lbs.
Vertical load	6,250 lbs.

Parts List*

Item	Qty	Description
1	1	Slider assembly
2	4	Rail pin
3	4	Rail clip
4	4	Rubber spacer
5	2	Pin plate
6	4	Replacement 5th wheel head bolts

* 5th wheel base rails are required for installation (sold separately)

Tools Required

Torque wrench	Socket set
---------------	------------

Product Registration and Warranty

CURT stands behind our products with industry-leading warranties. To get copies of the product warranties, register your purchase or provide feedback, visit: warranty.curtgroup.com/surveys

⚠ DANGER ZONE PRECAUTIONS

Block all trailer tires in front and behind with appropriate wheel chocks. Do not substitute objects such as, but not limited to: stones, wood blocks, etc. Front trailer lifting jacks must be supporting the trailer and resting on a firm and level surface.

Towing vehicle must be stationary with automatic transmission in park (manual in neutral), emergency brake applied and engine off.

⚠ WARNING

Never exceed the vehicle manufacturer's recommended towing capacity. Trailer and contents combined must not exceed tow vehicle, hitch and / or trailer tow ratings. Exceeding rated capacity may result in separation. Exceeding rated capacity may result in damage to 5th wheel hitch, towing vehicle, trailer and / or cause serious injury or death.

Fully instruct and demonstrate the operation of this 5th wheel slider to the end user. Include the importance of observing all warnings contained herein. Provide this manual in its entirety to the end user. Serious injury or death may result if all warnings are not observed.

To avoid serious injury, do not expose hands, body parts or clothing between the truck and trailer or the truck's bed sides and trailer. Extreme care should be observed to avoid serious injury to self, property and observers.

Improperly coupled trailers can separate and drop without notice. Never position yourself or others under the trailer's kingpin area (danger zone) during coupling and uncoupling. If for any reason you must position any part of your body under the trailer, between the truck and the trailer or between the trailer's kingpin and 5th wheel hitch, you must follow the steps in the 'Danger Zone Precautions' section above.

Product Photo



NOTICE

Visit www.curtmfg.com for a full-color copy of this instruction manual, as well as helpful videos, guides and much more!

Before you begin installation, read all instructions thoroughly.

Proper tools will improve the quality of installation and reduce the time required.

Periodic inspection of your product should be performed to ensure all hardware and / or components remain secure.

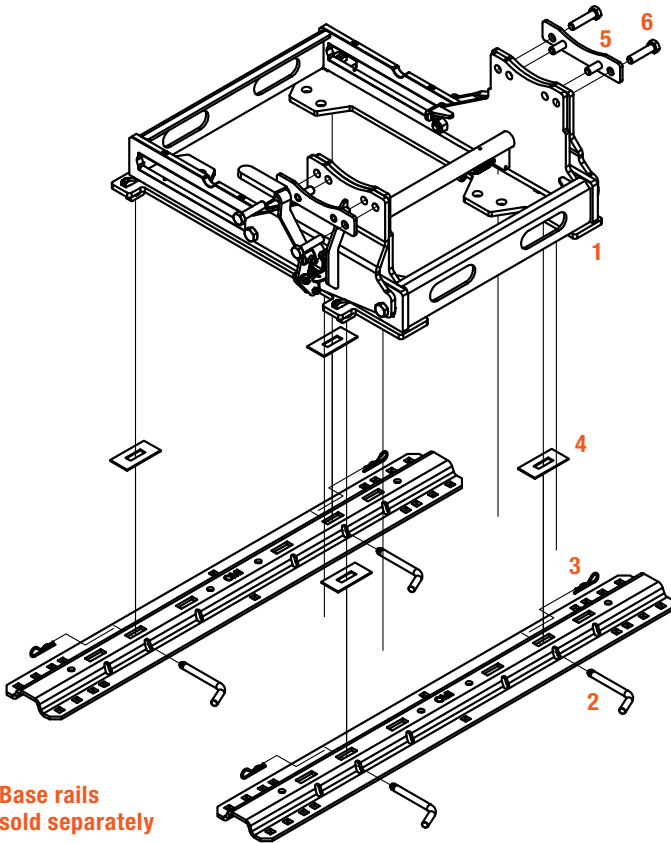
To help prevent damage to the product or vehicle, refer to the specified torque specifications when securing hardware during the installation process.

ASSEMBLY

Parts List*

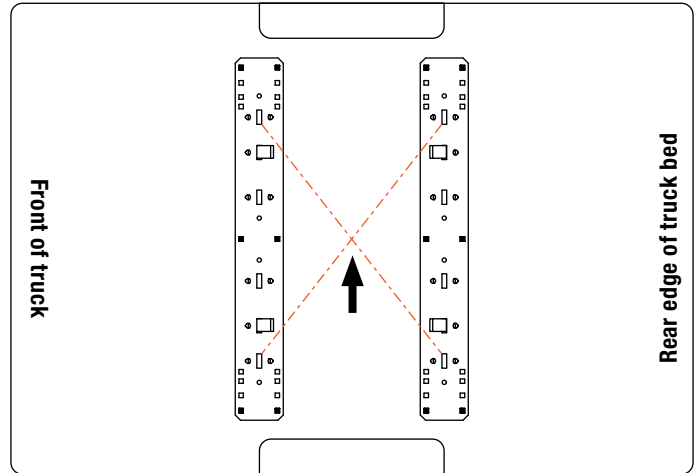
Item	Qty	Description
1	1	Slider assembly
2	4	Rail pin
3	4	Rail clip
4	4	Rubber spacer
5	2	Pin plate
6	4	Replacement 5th wheel head bolts

* 5th wheel base rails are required for installation (sold separately)



Step 1 - Check the base rails

Before installing the slider, check the base rails in your truck to be sure they are properly installed and are parallel with each other. The diagonal dimensions should be the same. See below.

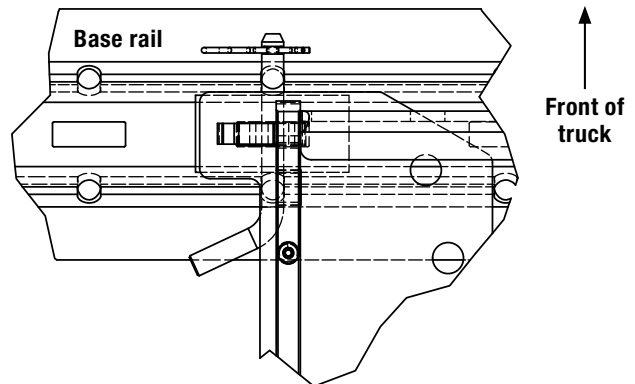


Step 2

Place the slider into the base rail slots and secure with the provided rail pins (#2) and clips (#3).

CAUTION

Be sure that all base rail pins are positioned as shown below and all clips are secured before towing.



INSTALLATION

Before you begin

WARNING

The slider is to be used with 5th wheel trailers weighing up to 25,000 lbs. Never use on trailers exceeding 25,000 lbs.

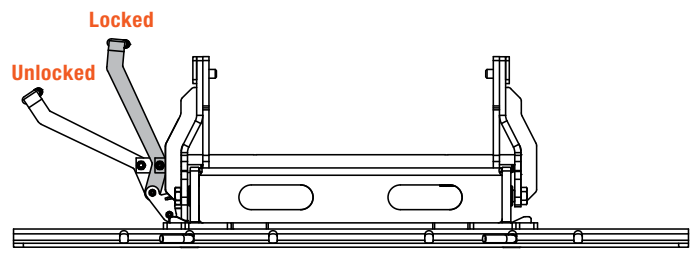
CAUTION

The slider will reposition your 5th wheel hitch 12" rearward. This will not guarantee complete truck cab / trailer clearance when towing.

Step 3

Pull the slider handle out until it locks open. See below. The slider should move smoothly fore and aft on the rails.

Note: When the slider is locked in its fore and aft positions, the lock bar handle will return to the starting position.



INSTALLING THE 5TH WHEEL HEAD

Step 4 - Installing the 5th wheel head

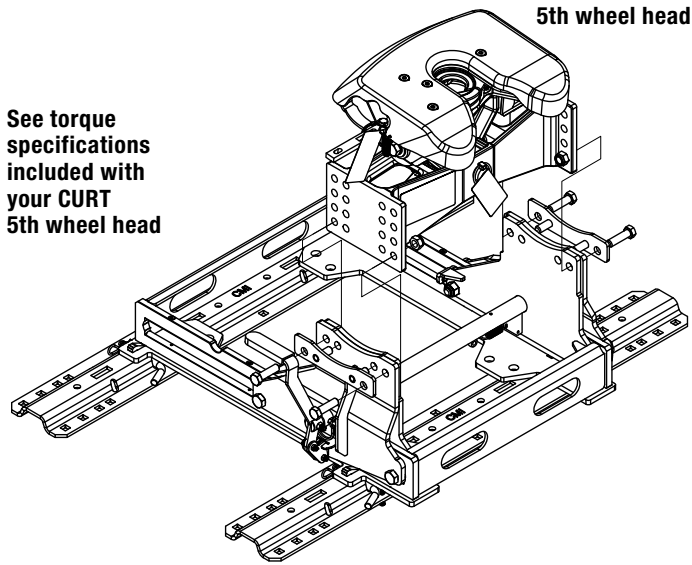
For instructions on calculating the proper height of your 5th wheel head, refer to the installation manual included with your head unit.

Insert the replacement 5th Wheel head bolts through the four mounting holes on both the pin plate and slider and secure them with nylock nuts.

Torque all hardware to the specification indicated in your 5th wheel head unit installation manual.

For operating instructions of the slider, see Step 5.

For operating instructions of your 5th wheel head unit, refer to the installation manual included with your 5th wheel head.



See torque specifications included with your CURT 5th wheel head

5th wheel head removal

To remove your 5th wheel head, repeat Step 4 in reverse. **Note:** Depending on the model of your 5th wheel head, this step may differ.

Slider removal

To remove your slider from the base rails, remove the rail pins (#2) and clips (#3) that were installed in Step 2 and lift the slider out.

TOWING BASICS & SAFETY INFORMATION

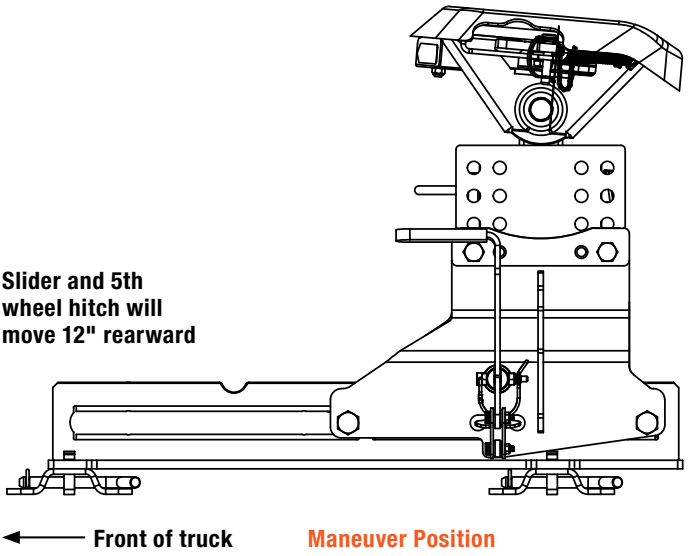
For information on safely towing your trailer, visit curtmfg.com/understanding-towing.

OPERATING INSTRUCTIONS

Step 5 - Maneuvering

On a level surface, align the 5th wheel trailer and tow vehicle in a straight line. Pull the slider handle out until the handle locks open to place the lock bar in the maneuver position.

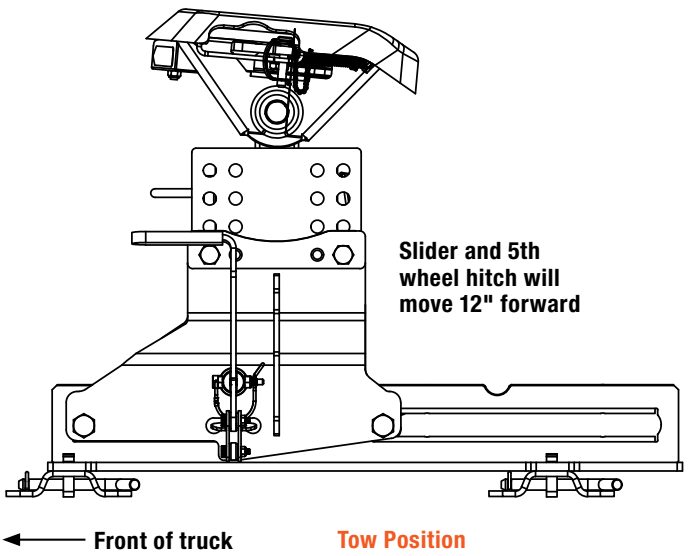
Set the trailer brakes and slowly drive the tow vehicle forward until the slider stops. The locking bars will automatically engage in the rear locking groove.



Step 6 - Towing

On a level surface, align the 5th wheel trailer and tow vehicle in a straight line. Pull the slider handle out and rotate it clockwise to place the lock bar in the ready-to-lock position.

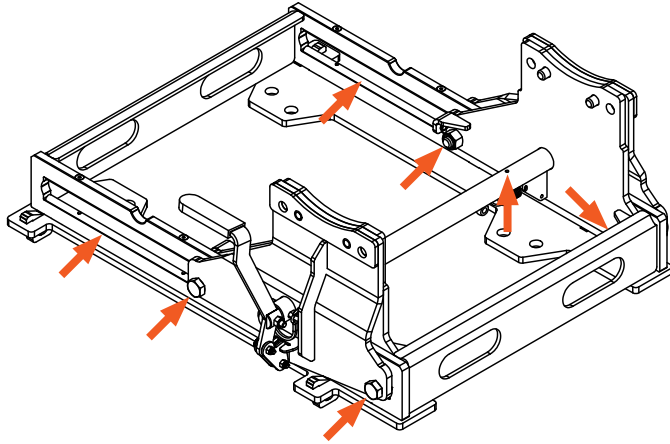
Set the trailer brakes and slowly back up the tow vehicle until the slider stops. The locking bar will automatically return to the locked position. Set the trailer brakes and move the tow vehicle forward slightly to be sure the lock bar is fully engaged. You are now ready to tow.



MAINTENANCE

Step 4 - Installing the 5th wheel head

Periodically apply a light coating of grease to the surface of the half-round rails and penetrating oil to the locking bar (using the access holes on to the top side of the cross tube) and the four hex bolts and rollers.



Prior to towing, ensure all components and hardware are structurally sound and secure. Periodically check the torque to ensure no fasteners have become loose.

Step 5 - Maneuvering

Incomplete carriage cycle:

Return the carriage back to the previous position and reset the handle. Check the locking bar is free-moving and clear of any debris. Attempt to maneuver the carriage to the opposing lock position, ensuring the handle returns to the locked position.

If handle does not reset:

Ensure the carriage has travelled to the opposing lock position and manually reset the handle to the lock position. Visually inspect the spring located under the cross tube. Check the locking bar is free-moving and clear of any debris.