

16468

TOYOTA TUNDRA (6.5' STANDARD BOX)

12/27/2012

*****DO NOT EXCEED VEHICLE MANUFACTURER'S RECOMMENDED TOWING CAPACITY.*****

Parts List			
ITEM	QTY	PART NUMBER	DESCRIPTION
1	1	CM-16468-DSF	.250" DRIVER SIDE FRONT PLATE
2	1	CM-16468-PSF	.250" PASSENGER SIDE FRONT PLATE
3	1	CM-16468-DSR	.250" DRIVER SIDE REAR PLATE
4	1	CM-16468-PSR	.250" PASSENGER SIDE REAR PLATE
5	1	CM-16468-EBB	11GA. A-36 H.R. ELECTRICAL BOX BRACKET
6	4	CM-SP9	.250 x 1.25 x 2.50" SQUARE HOLE SPACER
7	4	5/8-11	HEX FLANGE NUT
8	4	5_8 - 11 x 13_4 HEX	HEX BOLT
9	4	5/8	WASHER
10	4	M14 - 1.5 x 40 HEX	HEX BOLT
11	4	9/16	LOCK WASHER
12	8	HFN 1213	HEX FLANGE NUT
13	8	1/2 - 13 x 2"	CARRIAGE BOLT
14	8	CM-SP136	.313" x 1.00 x 2.00" U-SHAPE SPACER
15	8	CM-SP33	.250 x 1.50 x 2.00" SQUARE HOLE SPACER

DRILL APPLICATION : DRILL
APPROX. INSTALL TIME: 90 MIN.

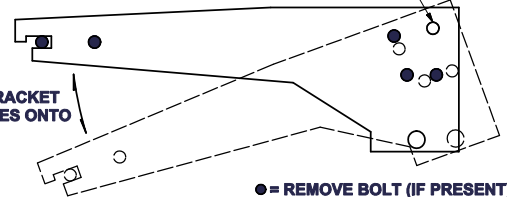
OTHER NOTES:
LOWER SPARE TIRE, RELOCATE ELECTRICAL BOX
ON DRIVER SIDE, LOOSEN BUMPER BRACKET
(SHOWN BELOW)

INSTALLATION OF REAR PLATES

WITHOUT FULL BUMPER REMOVAL

PIVOT BUMPER ABOUT THIS BOLT

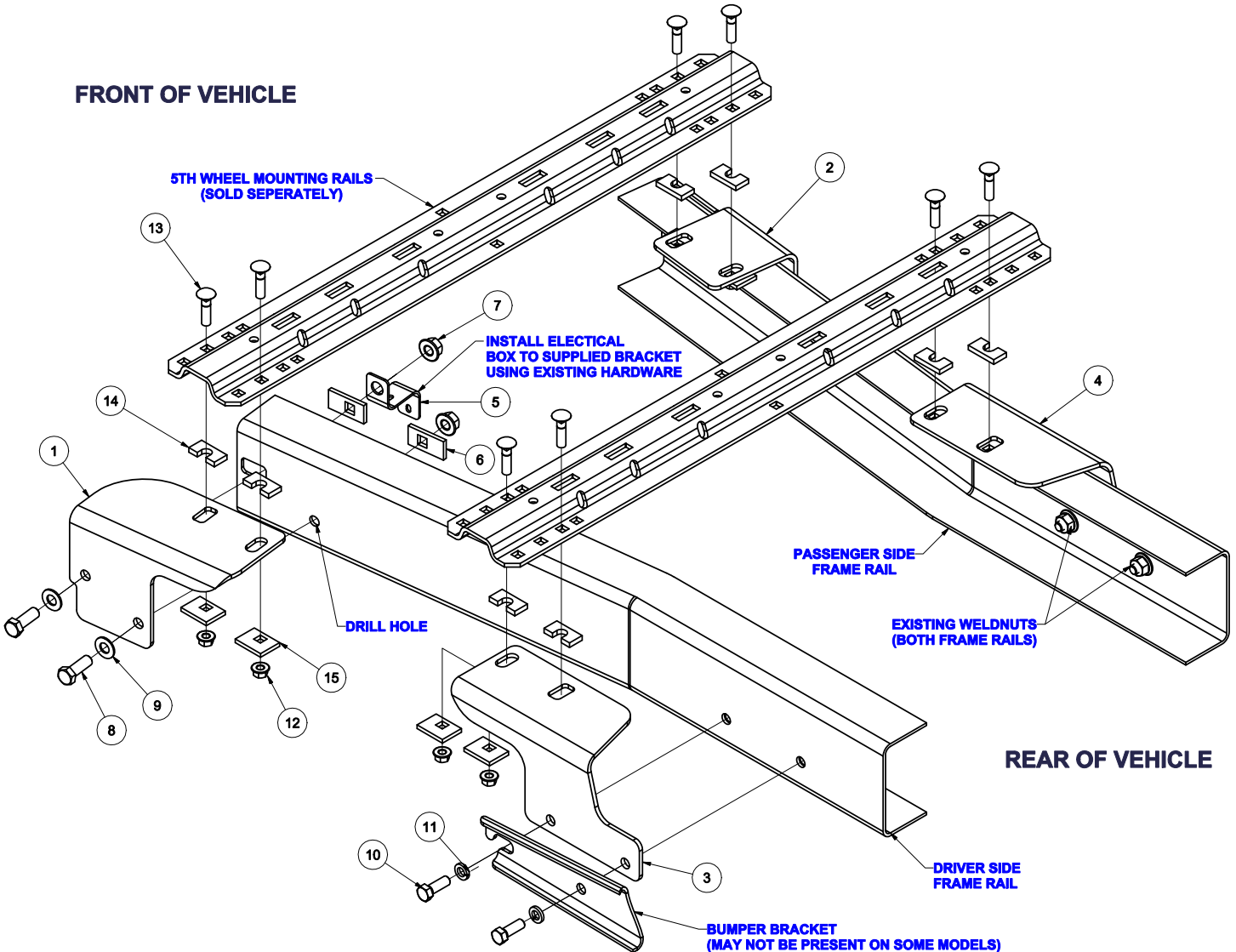
ROTATE BUMPER BRACKET
AND POSITION PLATES ONTO
THE FRAME RAILS.



● = REMOVE BOLT (IF PRESENT)

ROTATE BUMPER BRACKETS BACK INTO POSITION AND INSTALL AS SHOWN BELOW

FRONT OF VEHICLE



Curt Manufacturing Inc., warrants this product to be free of defects in material and/or workmanship at the time of retail purchase by the original purchaser. If the product is found to be defective, Curt Manufacturing Inc., may repair or replace the product, at their option, when the product is returned, prepaid, with proof of purchase. Alteration to, misuse of, or improper installation of this product voids the warranty. Curt Manufacturing Inc.'s liability is limited to repair or replacement of products found to be defective, and specifically excludes liability for incidental or consequential loss or damage.

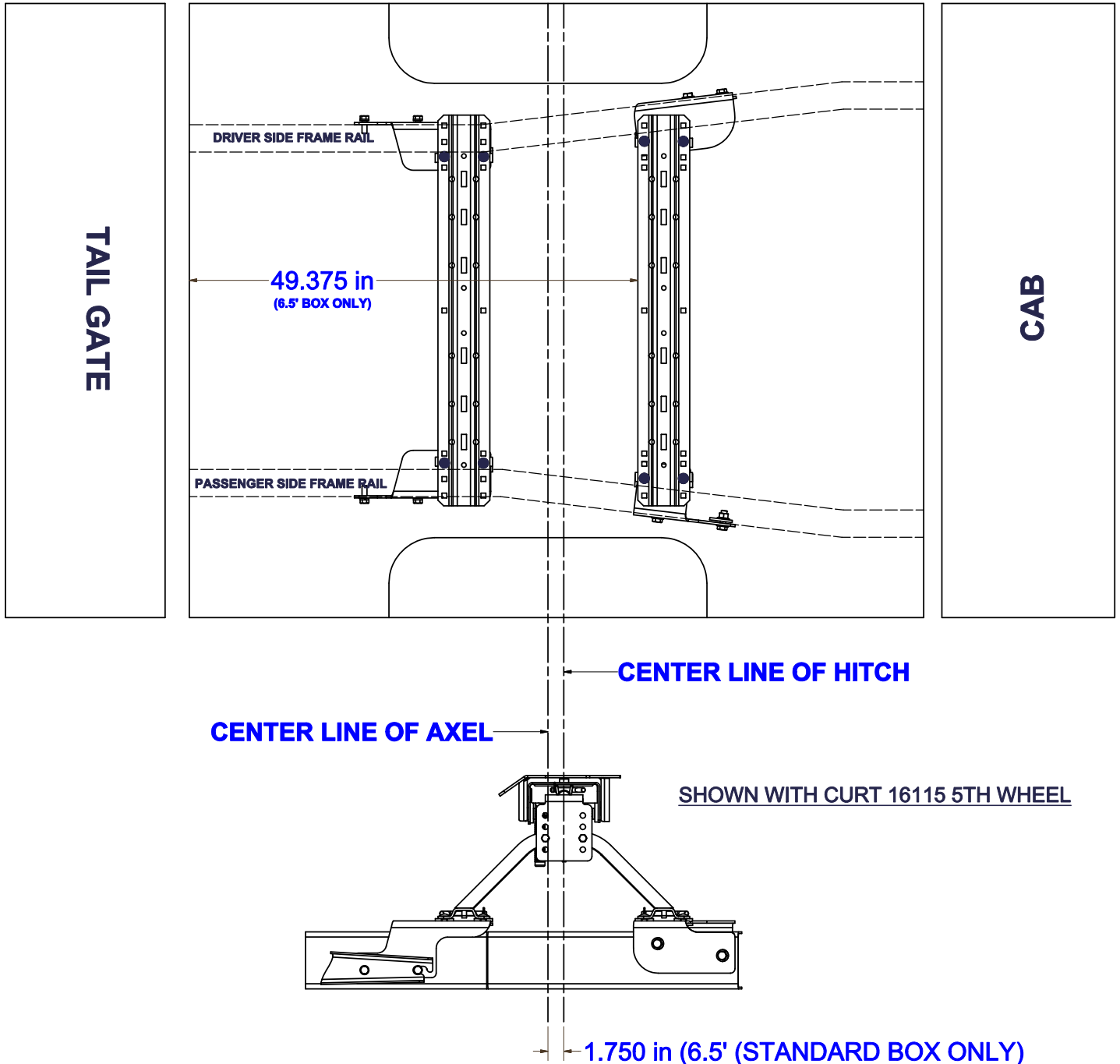
16468

TOYOTA TUNDRA (6.5' STANDARD BOX)

*****DO NOT EXCEED VEHICLE MANUFACTURER'S RECOMMENDED TOWING CAPACITY.*****

RAIL LOCATION DIAGRAM

**!!IMPORTANT!
SYSTEM MAY NOT WORK WITH
2003 AND EARLIER COMPETITOR
PRODUCTS**



Curt Manufacturing Inc., warrants this product to be free of defects in material and/or workmanship at the time of retail purchase by the original purchaser. If the product is found to be defective, Curt Manufacturing Inc., may repair or replace the product, at their option, when the product is returned, prepaid, with proof of purchase. Alteration to, misuse of, or improper installation of this product voids the warranty. Curt Manufacturing Inc.'s liability is limited to repair or replacement of products found to be defective, and specifically excludes liability for incidental or consequential loss or damage.

16468

TOYOTA TUNDRA (6.5' STANDARD BOX)

*****DO NOT EXCEED VEHICLE MANUFACTURER'S RECOMMENDED TOWING CAPACITY.*****

!WARNING!

- Do not install mounting rails over plastic bed liners. Plastic liners must be trimmed for metal-to-metal contact. May be installed on spray in liner.
- Use only supplied fasteners for installation
- Before installing hitch measure to be sure there will be enough clearance between the truck and trailer to allow for turns.
- Frame rail must be clear of any electrical or brake components where side plates attach.
- When drilling, protect the electrical and brack components from damage by placing a piece of metal between.

- 1) Lower and remove spare tire.
- 2) Enlarge the existing 3/8" hole on passenger side frame rail to allow for a 5/8" bolt on passenger side front plate.
- 3) Remove the electrical box on the inside of the driver side frame rail but removing the nut on the outside of frame. Re-attach the electrical box to supplied electrical box bracket with original fasteners.
- 4) Place driver side front plate onto frame by rotating into place. Locate plate so it is an equal distance from the truck bed cross member as the passenger side front plate. Push plate up to the bottom of the truck bed and mark the hole required for drilling. Remove plate but do not drill hole at this time.
- 5) Place one mounting rail in the box of the truck, using your tape measure, center the rail on the truck box floor and the proper distance from the rear edge of the truck box as shown on the "**rail location diagram**" page.
- 6) Using a center punch, mark the holes as per the rail location diagram. Move the mounting rail out of the way and drill each position with a 1/8" drill bit.
- 7) Temporarily position the side plates on the side of the frame and check that the 1/8" drilled holes align with the slots of the side plate. Check that the front driver side plate aligns with the hole marked in Step (4). Remove the side plates from the vehicle and drill the 5/8" hole marked in Step (4).
- 8) Enlarge the 1/8" drill holes to the 9/16" with a step drill.
- 9) Reposition the mounting rail over the holes and fasten the mounting rail to the side plates using the supplied carriage bolts. Use the supplied spacers between the frame bracket or mounting rails and the truck box so as to ensure a metal to metal contact and to eliminate "rib crush" of the bed.
- 10) Place the unassembled 5th wheel / roller / gooseneck hitch into the already installed mounting rail. Position the second mounting rail with the 5th wheel / roller / gooseneck hitch by inserting the tabs into the mounting rail and pushing the mounting rail tight towards the other mounting rail. Ensure that the mounting rail is centered on the truck box floor. This will position the rail in the correct location and ensure that the 5th wheel will have a snug fit to the truck.

NOTE: If more than one hitch product will be used with the mounting rails then both should be used at the same time to align the second mounting rail. This will ensure that one product does not compromise the fit of the other.

- 11) Repeat steps 6, 7 (see step 12 for side plate placement), and 8 for rear mounting rail.
- 12) Loosen the existing bumper bracket as shown on the "**parts list**" page and rotate bumper brackets down to allow for placement of the rear side plates between the bumper brackets and frame rails. Rotate bumper back into position, aligning the holes in rear side plates with existing weldnuts in frame. Re-install all original bolts loosely.

NOTE: Some models may have bumper brackets that do not use the required weldnuts for this kit, do not loosen bumper if unnecessary.

- 13) Repeat step 9 for rear mounting rail.
- 14) Starting with the carriage bolts that fasten the rails to the frame bracket, torque all the nuts. Torque all 1/2" fasteners to 110 lb-ft and all 5/8" fasteners to 210 lb-ft. Level rear bumper and torque all 14mm bumper bolts to 136 lb-ft.

Curt Manufacturing Inc., warrants this product to be free of defects in material and/or workmanship at the time of retail purchase by the original purchaser. If the product is found to be defective, Curt Manufacturing Inc., may repair or replace the product, at their option, when the product is returned, prepaid, with proof of purchase. Alteration to, misuse of, or improper installation of this product voids the warranty. Curt Manufacturing Inc.'s liability is limited to repair or replacement of products found to be defective, and specifically excludes liability for incidental or consequential loss or damage.