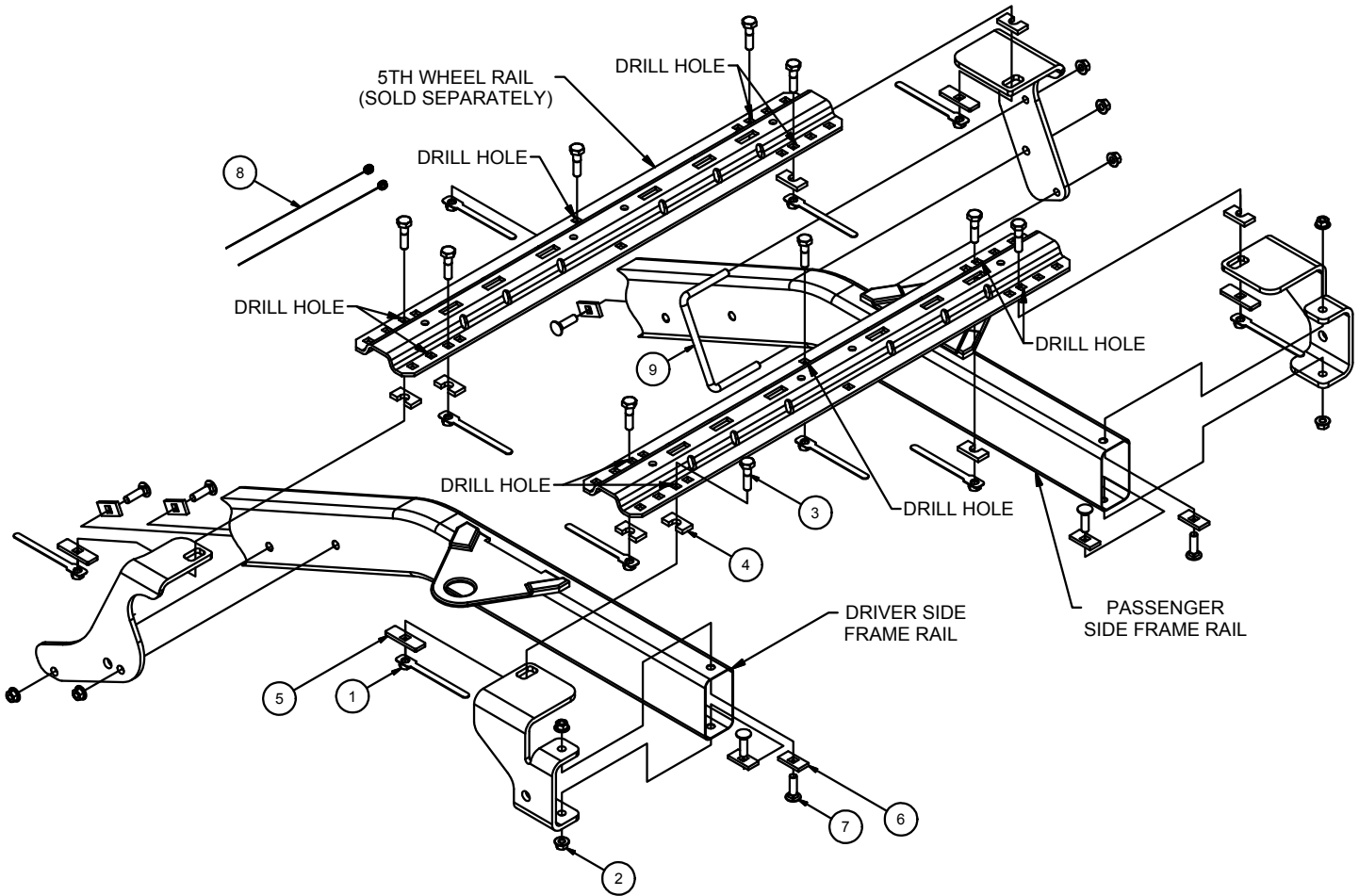


**\*\*\* DO NOT EXCEED VEHICLE MANUFACTURER'S RECOMENDED TOWING CAPACITY \*\*\***

Parts List			
ITEM	QTY	PART NUMBER	DESCRIPTION
1	10	1/2-13	HANDLE NUT
2	9	HFN 1213	HEX FLANGE NUT
3	10	1/2-13 x 2"	HEX BOLT
4	8	CM-SP136	.313" x 1.00 x 2.00" U-SHAPE SPACER
5	4	CM-SP6	.250 x 1.00 x 3.00" SQUARE HOLE SPACER
6	7	CM-SP12	.250 x 1.00 x 2.00" SQUARE HOLE SPACER
7	7	1/2-13 x 1 3/4	CARRIAGE BOLT
8	2	1_2 FISHWIRE	1/2" FISHWIRE
9	1	CM-1211-UBS	1/2-13 x 4 1/8 x 7 x 1 1/2 SQ U-BOLT

TOOLS REQUIRED
3/4" AND 7/8" WRENCHES
1/8" AND 9/16" DRILL BITS
3/4" AND 7/8" SOCKETS
RATCHET
TORQUE WRENCH
DRILL
CENTER PUNCH
TAPE MEASURE



**FRONT**  
 ↓  
**REAR**

**HITCH WEIGHT:** 37 LBS.

**INSTALL TIME**

PROFESSIONAL: 90 MINUTES

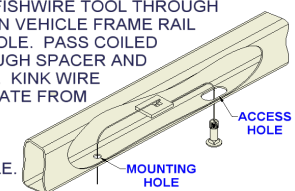
NOVICE (DIY): 180 MINUTES

**INSTALL NOTES:**

- DRILLING REQUIRED
- FISHWIRE HARDWARE
- LOWER SPARE TIRE

**FISHWIRE TECHNIQUE**

INSERT COILED END OF FISHWIRE TOOL THROUGH HITCH MOUNTING HOLE IN VEHICLE FRAME RAIL AND OUT THE ACCESS HOLE. PASS COILED END OF FISHWIRE THROUGH SPACER AND THREAD BOLT INTO COIL. KINK WIRE TO KEEP SPACER SEPERATE FROM BOLT AS SHOWN. PULL FISHWIRE, SPACER, AND BOLT THROUGH FRAME AND OUT MOUNTING HOLE. USE FISHWIRE TO GUIDE HITCH DURING MOUNTING AND PREVENT LOSS OF BOLT / SPACER INSIDE FRAME RAIL.



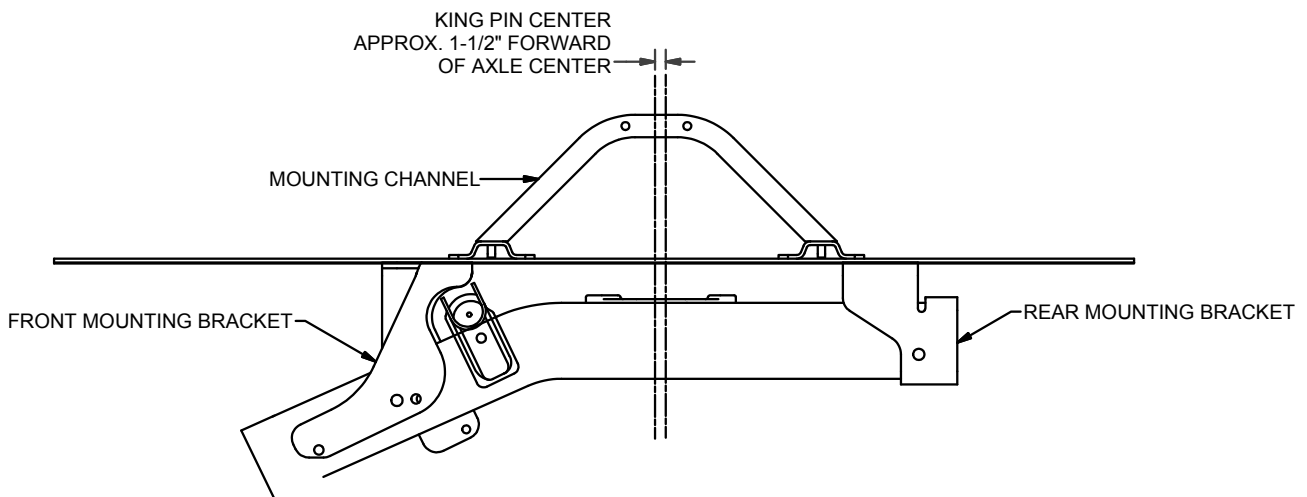
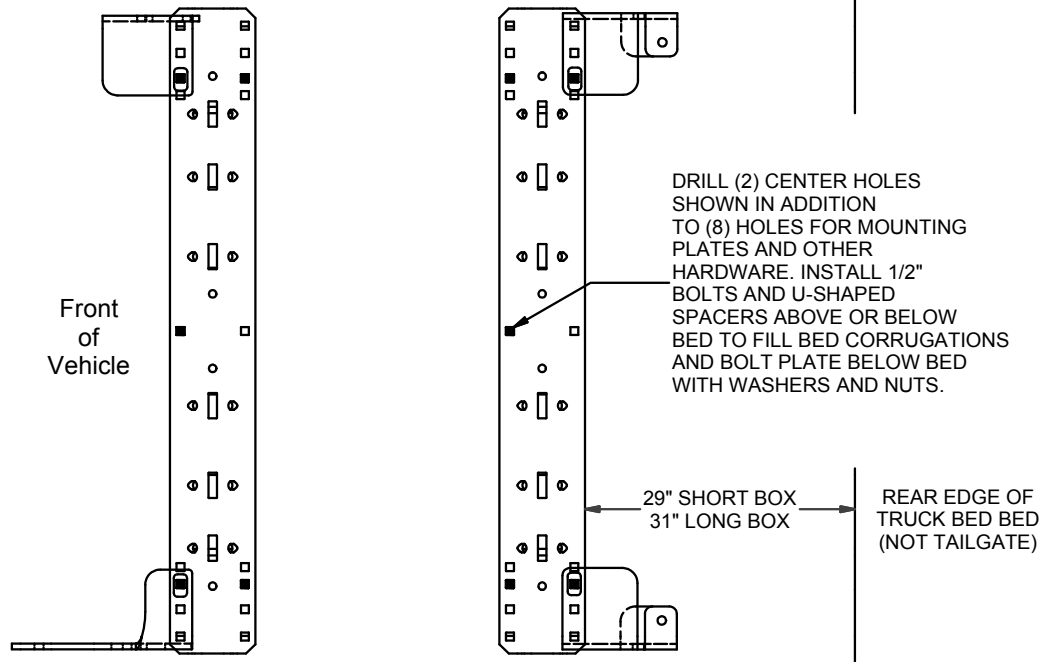
**\*\*NOTE: SOME VEHICLES MAY FISHWIRE THROUGH END OF FRAME\*\***

Curt Manufacturing Inc., warrants this product to be free of defects in material and/or workmanship at the time of retail purchase by the original purchaser. If the product is found to be defective, Curt Manufacturing Inc., may repair or replace the product, at their option, when the product is returned, prepaid, with proof of purchase. Alteration to, misuse of, or improper installation of this product voids the warranty. Curt Manufacturing Inc.'s liability is limited to repair or replacement of products found to be defective, and specifically excludes liability for incidental or consequential loss or damage.

**WARNING:**

- Do not install mounting rails over plastic bed liners. Plastic liners must be trimmed for metal to metal contact. (Mounting rails may be installed on spray on liner.)
- Use only supplied fasteners for installation.
- Before installing mounting rails and hitch, measure to be sure there will be enough clearance between the truck and trailer to allow for turns.

1. These instructions are guidelines only, actual installation is the responsibility of the installer and the owner. Always measure truck and trailer before installing hitch to be sure there is clearance around the cab and the bumper to allow for turns.
2. On the driver's side frame rail, temporarily remove ground wires by removing the front and rear hex nuts attached to the vehicle frame.
3. Lower the spare tire.
4. Place the rear mounting rail in the bed of the vehicle. Center the rail on the floor of the truck bed and use a tape measure to locate the proper distance from the rail to the rear edge of the truck box as shown on Page 3.
5. Use a center punch to mark the holes in the rail, as shown. Move the rail and drill each position with an 1/8" drill bit. **Note: On the driver's side of the vehicle the gas tank is located below the bed of the vehicle. When drilling the holes through the bed be sure not to damage the fuel tank.**
6. Temporarily position the frame brackets on the sides of the frame and check that the 1/8" drilled holes align with the slots in the frame brackets. Remove the frame brackets from the vehicle.
7. Enlarge the 1/8" drilled holes to 9/16" with a drill.
8. Fasten the frame brackets to the vehicle frame rails with 1/2" hardware as shown on Page 1. The rail mounting flange on the front frame brackets should be positioned in front of the bed rib section. The mounting flange on the rear frame brackets should be positioned next to the edge of the rear bed rib section.
9. Reposition the rear mounting rail over the drilled holes in the bed and fasten the mounting rail to the frame brackets using the supplied 1/2" hardware. Use the supplied U-shaped spacers between the frame bracket or mounting rails and the truck bed to ensure metal to metal contact.
10. Place the unassembled 5th wheel mounting channels into the already installed mounting rail. Position the mounting channels in the forward mounting rail by inserting the tabs into the mounting rail and pushing the mounting rail tight towards the other mounting rail. Ensure the mounting rail is centered on the bed of the vehicle. This will position the rail in the correct location and ensure the 5th wheel will have a secure fit to the truck. Note: If more than one hitch product will be used with the mounting rails then both types should be used at the same time to align the front mounting rail. This will ensure that one product does not affect the fit of the other.
11. Use a center punch to mark the holes in the front rail per the illustration. Move the rail and drill each position with an 1/8" drill bit. Enlarge the 1/8" drilled holes to 9/16". Reposition the mounting rails over the holes drilled in the bed.
12. Install remaining hardware through the mounting rails and brackets and secure as shown.
13. Torque all 1/2" fasteners to 110 ft-lbs, starting with the hex bolts that fasten the rails to the frame brackets, torque all the nuts. Torque the hex bolts positioned in the center of the rails. Torque the fasteners that attach the frame brackets to the vehicle frame.
14. Reinstall the ground wires removed in installation Step 2. Reinstall spare tire.



**Check for obstructions before drilling. Failure to do so could result in damaged fuel or brake lines, structural members, etc. CURT MANUFACTURING does its best to communicate tow vehicle manufacturer changes; however, it is ultimately the responsibility of the installer to prevent damage due to installation.**

Curt Manufacturing Inc., warrants this product to be free of defects in material and/or workmanship at the time of retail purchase by the original purchaser. If the product is found to be defective, Curt Manufacturing Inc., may repair or replace the product, at their option, when the product is returned, prepaid, with proof of purchase. Alteration to, misuse of, or improper installation of this product voids the warranty. Curt Manufacturing Inc.'s liability is limited to repair or replacement of products found to be defective, and specifically excludes liability for incidental or consequential loss or damage.