

15363

## CHEVROLET / GMC 2500 / 3500 (LONG BOX)

7/30/2020

GROSS LOAD CAPACITY WHEN USED AS A WEIGHT CARRYING HITCH: 16,000 LBS. TRAILER WEIGHT & 2,400 LBS. TONGUE WEIGHT.  
GROSS LOAD CAPACITY WHEN USED AS A WEIGHT DISTRIBUTION HITCH: 17,000 LBS. TRAILER WEIGHT & 2,400 LBS. TONGUE WEIGHT

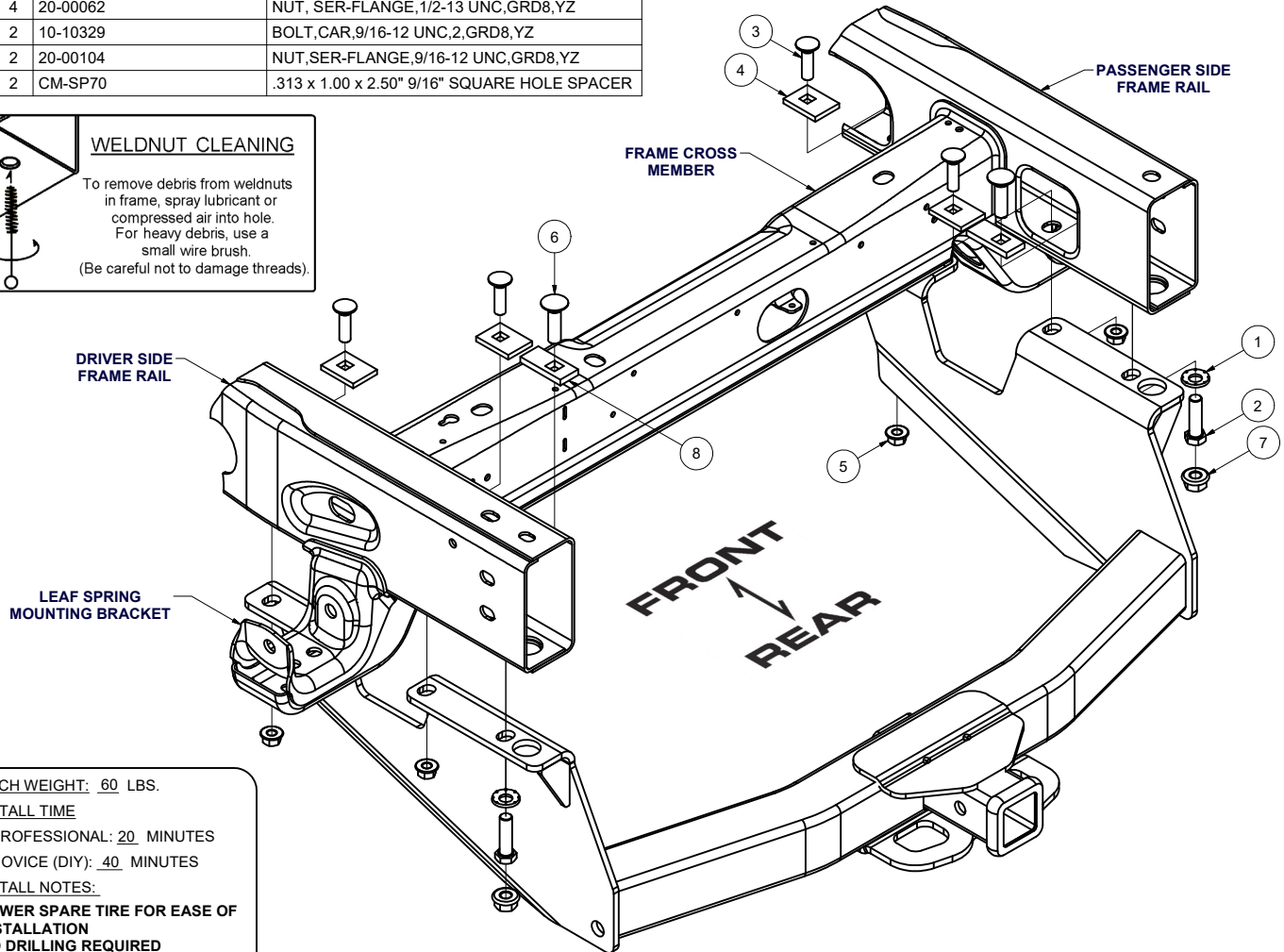
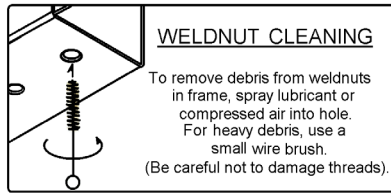
\*\*\*DO NOT EXCEED VEHICLE MANUFACTURER'S RECOMMENDED TOWING CAPACITY.\*\*\*

HAVING INSTALLATION QUESTIONS? CALL TECHNICAL SUPPORT AT 1-877-287-8634

ITEM		QTY	PART NUMBER	DESCRIPTION
1	2	30-00164	WASHER,S-CON,9/16,YZ	
2	2	10-10449	HHCS,M14x2,45CL10,9,YZ	
3	4	10-10272	BOLT,CAR,1/2-13 UNC,1-3/4,GRD8,YZ	
4	4	CM-SP1	.250 x 1.50 x 2.00" SQUARE HOLE SPACER	
5	4	20-00062	NUT, SER-FLANGE,1/2-13 UNC,GRD8,YZ	
6	2	10-10329	BOLT,CAR,9/16-12 UNC,2,GRD8,YZ	
7	2	20-00104	NUT,SER-FLANGE,9/16-12 UNC,GRD8,YZ	
8	2	CM-SP70	.313 x 1.00 x 2.50" 9/16" SQUARE HOLE SPACER	

## TOOLS REQUIRED

RATCHET
TORQUE WRENCH
10" EXTENSION
21mm SOCKET
3/4" SOCKET



HITCH WEIGHT: 60 LBS.

## INSTALL TIME

PROFESSIONAL: 20 MINUTES

NOVICE (DIY): 40 MINUTES

## INSTALL NOTES:

- LOWER SPARE TIRE FOR EASE OF INSTALLATION
- NO DRILLING REQUIRED

## INSTALLATION STEPS

1. Lower spare tire from vehicle to ease installation. If present, remove existing 14mm fasteners from the end of each frame rail and return to customer. **Note:** If weldnuts are not present in the end of the frame rails, install the provided 9/16" carriage bolts and SP9 spacers, as shown.
2. Raise hitch into position, locating slots in hitch over weldnuts in vehicle frame or align with the 9/16" carriage bolts installed in Step (1).
3. Install 14mm bolts and conical toothed washers through hitch into weldnuts in vehicle frame or secure to the 9/16" carriage bolts installed in Step (1) with 9/16" flange nuts. Install 1/2" carriage bolts, spacers, and nuts as shown above.
4. Torque all 9/16" fasteners to 150 ft-lbs.  
Torque all 14mm fasteners to 126 ft-lbs.  
Torque all 1/2" fasteners to 110 ft-lbs.
5. Raise spare back into position on vehicle.

**PERIODICALLY CHECK THIS RECEIVER HITCH TO ENSURE THAT ALL FASTENERS ARE TIGHT AND THAT ALL STRUCTURAL COMPONENTS ARE SOUND.**

CURT Manufacturing Inc., warrants this product to be free of defects in material and/or workmanship at the time of retail purchase by the original purchaser. If the product is found to be defective, CURT Manufacturing Inc., may repair or replace the product, at their option, when the product is returned, prepaid, with proof of purchase. Alteration to, misuse of, or improper installation of this product voids the warranty. CURT Manufacturing Inc.'s liability is limited to repair or replacement of products found to be defective, and specifically excludes liability for incidental or consequential loss or damage.