

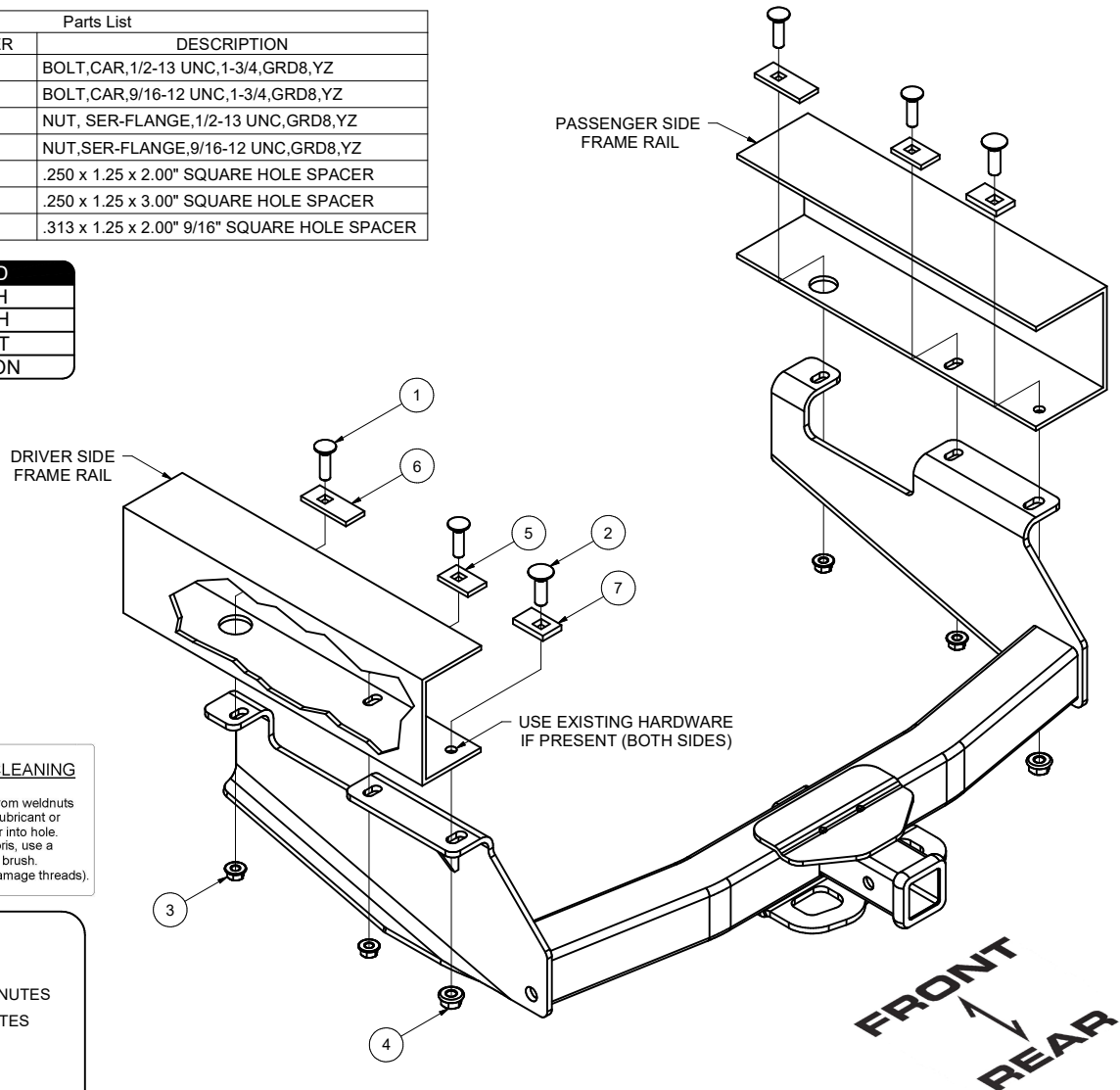
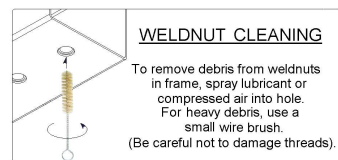
**15313****2001-10 CHEVROLET/GMC 2500HD AND 3500HD, LONG BED, FULL SIZE PICKUP  
WITH 10" STEP BUMPER, NOT INCLUDING 34" FRAME****07/13/2020**

GROSS LOAD CAPACITY WHEN USED AS A WEIGHT CARRYING HITCH: 16,000 LBS. TRAILER WEIGHT & 2,400 LBS. TONGUE WEIGHT.  
GROSS LOAD CAPACITY WHEN USED AS A WEIGHT DISTRIBUTION HITCH: 17,000 LBS. TRAILER WEIGHT & 2,400 LBS. TONGUE WEIGHT

**\*\*\* DO NOT EXCEED VEHICLE MANUFACTURER'S RECOMMENDED TOWING CAPACITY.\*\*\***

Parts List			
ITEM	QTY	PART NUMBER	DESCRIPTION
1	4	10-10272	BOLT,CAR,1/2-13 UNC,1-3/4,GRD8,YZ
2	2	10-10328	BOLT,CAR,9/16-12 UNC,1-3/4,GRD8,YZ
3	4	20-00062	NUT, SER-FLANGE,1/2-13 UNC,GRD8,YZ
4	2	20-00104	NUT,SER-FLANGE,9/16-12 UNC,GRD8,YZ
5	2	CM-SP3	.250 x 1.25 x 2.00" SQUARE HOLE SPACER
6	2	CM-SP19	.250 x 1.25 x 3.00" SQUARE HOLE SPACER
7	2	CM-SP73	.313 x 1.25 x 2.00" 9/16" SQUARE HOLE SPACER

TOOLS REQUIRED
SOCKET WRENCH
TORQUE WRENCH
7/8" & 3/4" SOCKET
SOCKET EXTENSION



HITCH WEIGHT: 63 LBS.

INSTALL TIME:

PROFESSIONAL: 30 MINUTES

NOVICE (DIY): 60 MINUTES

INSTALL NOTES:

- LOWER SPARE TIRE
- NO DRILLING REQUIRED

## INSTALLATION STEPS

1. Remove spare tire for ease of installation.
2. Raise hitch and align with existing holes in frame rails.
3. Install 1/2-13 carriage bolts and SP19 spacers in the forwardmost holes. Install 1/2-13 carriage bolts and SP3 spacers in the center holes. Install 9/16-12 carriage bolts and SP73 spacers in the rearmost holes.  
**Note:** If existing hardware and weldnuts are present in the rearmost holes, use the existing hardware in place of the 9/16" hardware in this kit.
4. Torque all 1/2" hardware to 110 ft-lbs.  
Torque all 9/16" hardware to 130 ft-lbs.
5. Reinstall spare tire.

**PERIODICALLY CHECK THIS RECEIVER HITCH TO ENSURE THAT ALL FASTENERS ARE TIGHT AND THAT ALL STRUCTURAL COMPONENTS ARE SOUND.**

Curt Manufacturing Inc., warrants this product to be free of defects in material and/or workmanship at the time of retail purchase by the original purchaser. If the product is found to be defective, Curt Manufacturing Inc., may repair or replace the product, at their option, when the product is returned, prepaid, with proof of purchase. Alteration to, misuse of, or improper installation of this product voids the warranty. Curt Manufacturing Inc.'s liability is limited to repair or replacement of products found to be defective, and specifically excludes liability for incidental or consequential loss or damage.