

INSTALLATION MANUAL

13599

Level of Difficulty

Moderate

Installation difficulty levels are based on time and effort involved and may vary depending on the installer level of expertise, condition of the vehicle and proper tools and equipment.

Weight Carrying Capacity

Gross trailer weight (GTW)	3,500 lbs.
Tongue weight (TW)	350 lbs.

Parts List

Item	Qty	Description
1	1	Trailer hitch
2	4	Carriage bolt, 1/2" - 13 x 1.75"
3	4	Serrated-flange nut, 1/2"-13
4	4	Spacer, .25" x 1.00" x 2.50"
5	4	Fishwire, 1/2"

Tools Required

Ratchet	Socket extension, 3"
Torque wrench	Torx bit, T-15
Socket, 7mm	Die grinder
Socket, 3/4"	Rotary tool

* For a tools reference guide visit curtmfg.com/trailer-hitch-installation

⚠ WARNING

Never exceed the vehicle manufacturer's recommended towing capacity.

Product Photo



NOTICE

Visit www.curtmfg.com for a full-color copy of this instruction manual, as well as helpful videos, guides and much more!

Before you begin installation, read all instructions thoroughly.

Proper tools will improve the quality of installation and reduce the time required.

This installation requires:

- Temporary underbody panel removal and trim
- Hole enlargement required

Periodic inspection of the trailer hitch should be performed to ensure all mounting hardware remains tight and structural components are secure.

To help prevent damage to the product or vehicle, refer to the specified torque specifications when securing hardware during the installation process.

SAFETY INSTRUCTIONS

Safety glasses should be worn at all times while installing this product.

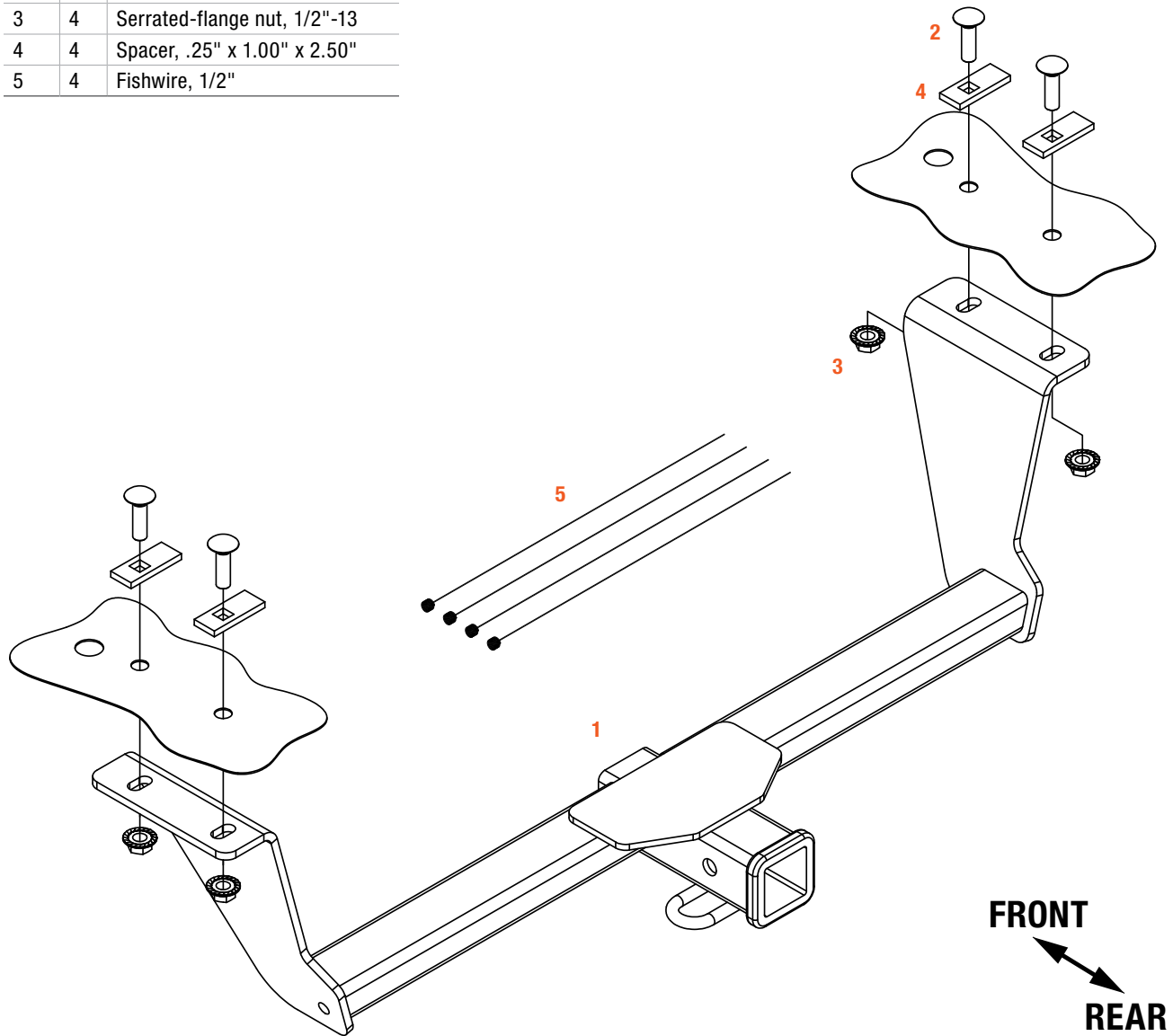
Product Registration and Warranty

CURT stands behind our products with industry-leading warranties. To get copies of the product warranties, register your purchase or provide feedback, visit: warranty.curtgroup.com/surveys

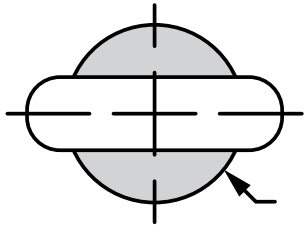
ASSEMBLY

Parts List

Item	Qty	Description
1	1	Trailer hitch
2	4	Carriage bolt, 1/2" - 13 x 1.75"
3	4	Serrated-flange nut, 1/2"-13
4	4	Spacer, .25" x 1.00" x 2.50"
5	4	Fishwire, 1/2"

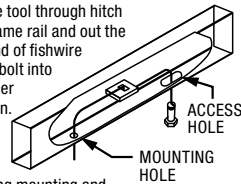


HOLE ENLARGEMENT



FISHWIRE TECHNIQUE

Insert coiled end of fishwire tool through hitch mounting hole in vehicle frame rail and out the access hole. Pass coiled end of fishwire through spacer and thread bolt into coil. Kink wire to keep spacer separate from bolt as shown. Pull fishwire, spacer and bolt through frame and out mounting hole. Use fishwire to guide hitch during mounting and prevent loss of bolt or spacer inside frame rail.



Step 1

Remove the underbody panel by removing 16 screws using a T-15 bit, 4 screws using a 7mm socket and 2 push pins.



Step 2

Enlarge the access hole and fishwire 1/2" carriage bolts (#2) and spacers into the mounting holes. Leave the fishwire attached.



Step 3

Trim the underbody panel using the trim diagrams for reference.



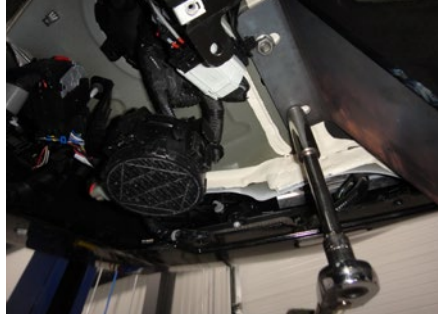
Step 4

Raise the hitch into position. Carefully remove the fishwires and loosely secure using the 1/2" serrated flange nuts (#3).



Step 5

Torque the hardware to 90 ft-lbs. and reinstall the underbody panel removed in step 1.



TOWING BASICS & SAFETY INFORMATION

For information on safely towing your trailer, visit curtmfg.com/understanding-towing.