

13581**MITSUBISHI OUTLANDER**

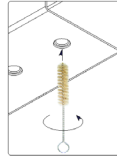
7/16/2020

GROSS LOAD CAPACITY WHEN USED AS A WEIGHT CARRYING HITCH: 4,000 LBS. TRAILER WEIGHT & 400 LBS. TONGUE WEIGHT.

*****DO NOT EXCEED VEHICLE MANUFACTURER'S RECOMMENDED TOWING CAPACITY.*******WARNING: ALL NON-TRAILER LOADS APPLIED TO THIS PRODUCT MUST BE SUPPORTED BY AUXILIARY STABILIZING STRAPS.****** FAILURE TO PROPERLY SUPPORT NON-TRAILER LOADS WILL VOID PRODUCT WARRANTY****

HAVING INSTALLATION QUESTIONS? CALL TECHNICAL SUPPORT AT 1-877-187-8634

Parts List			
ITEM	QTY	PART NUMBER	DESCRIPTION
1	6	30-00148	WASHER,S-CON,3/8,YZ
2	1	10-10272	BOLT,CAR,1/2-13 UNC,1-3/4,GRD8,YZ
3	1	20-00062	NUT, SER-FLANGE,1/2-13 UNC,GRD8,YZ
4	1	CM-SP1	.250 x 1.50 x 2.00" SQUARE HOLE SPACER
5	6	10-10271	HHCS,M10x1.25,30,CL10.9,YZ

**WELDNUT CLEANING**

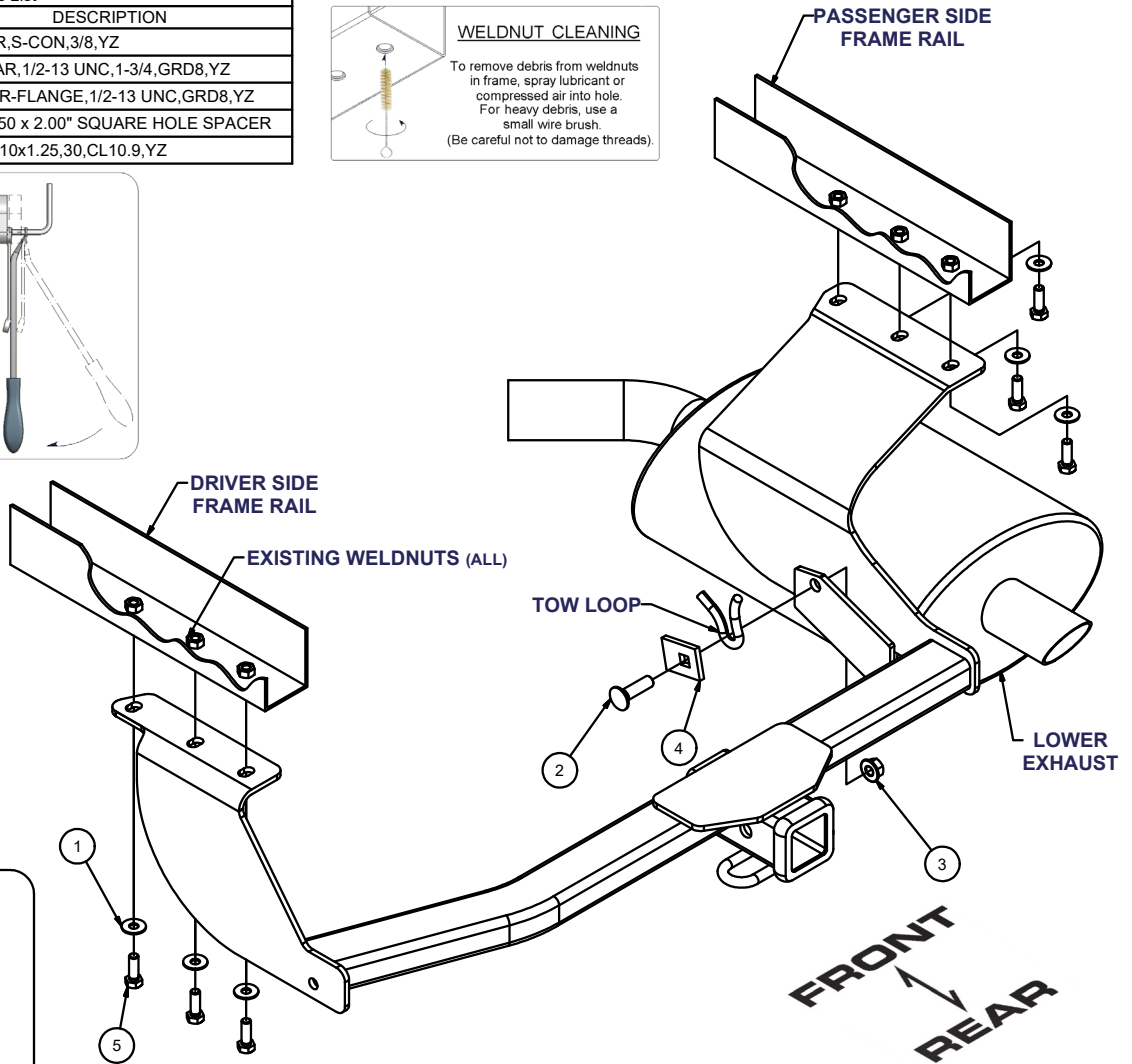
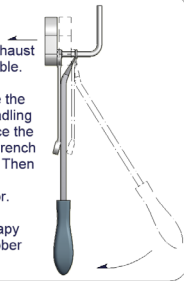
To remove debris from weldnuts in frame, spray lubricant or compressed air into hole. For heavy debris, use a small wire brush. (Be careful not to damage threads).

RUBBER ISOLATOR REMOVAL DIAGRAM

This technique can be used if an Exhaust Hanger Removal Pliers is not available.

Using a 5/8" open end wrench, slide the wrench up to the rubber isolator, cradling the hanger rod as shown. Next place the flat edge of a pry bar between the wrench and the hanger stop or hanger rod. Then simply rotate the pry bar toward the wrench to remove the rubber isolator.

Note: Using a spray lubricant or soapy water on the hanger rod and the rubber isolator helps removal.

HITCH WEIGHT: 36 LBS.**INSTALL TIME**PROFESSIONAL: 30 MINUTESNOVICE (DIY): 60 MINUTES**INSTALL NOTES:**

- LOWER EXHAUST
- NO DRILLING REQUIRED

INSTALLATION STEPS

1. Lower exhaust by removing the rearmost three exhaust hangers.
2. Raise hitch into position with strap to the passenger side of the tow loop.
3. Insert 1/2 - 13 carriage bolt through spacer CM-SP1, tow loop, and hitch and fasten finger tight with 1/2" flange nut as shown.
4. Install all M10 hardware with 3/8" conical washers through hitch and into frame as shown.
5. Torque all 1/2" hardware to 110 ft-lb and all M10 hardware to 48 ft-lb.
6. Raise exhaust back into position and re-attach all three exhaust hangers removed in step 1.

PERIODICALLY CHECK THIS RECEIVER HITCH TO ENSURE THAT ALL FASTENERS ARE TIGHT AND THAT ALL STRUCTURAL COMPONENTS ARE SOUND.

Curt Manufacturing Inc., warrants this product to be free of defects in material and/or workmanship at the time of retail purchase by the original purchaser. If the product is found to be defective, Curt Manufacturing Inc., may repair or replace the product, at their option, when the product is returned, prepaid, with proof of purchase. Alteration to, misuse of, or improper installation of this product voids the warranty. Curt Manufacturing Inc.'s liability is limited to repair or replacement of products found to be defective, and specifically excludes liability for incidental or consequential loss or damage.