

# INSTALLATION MANUAL

# 13564

## Level of Difficulty

Easy

Installation difficulty levels are based on time and effort involved and may vary depending on the installer level of expertise, condition of the vehicle and proper tools and equipment.

## Weight Carrying Capacity

Gross trailer weight (GTW)	5,000 lbs.
Tongue weight (TW)	500 lbs.

## Weight Distribution Capacity

Weight distribution (WD)	4,000 lbs.
WD tongue weight (WDTW)	400 lbs.

## Parts List

Item	Qty	Description
1	4	Hex bolt, 1/2"-13 x 4-1/2", grade 8
2	4	Flat washer, 1/2"
3	4	Serrated-flange nut, 1/2" - 13, grade 8

## Tools Required

Ratchet	Torque wrench
Socket, 16mm	Socket, 14mm
Socket, 3/4"	Die grinder

\* For a tools reference guide visit [curtmfg.com/trailer-hitch-installation](http://curtmfg.com/trailer-hitch-installation)

## ⚠ WARNING

Never exceed the vehicle manufacturer's recommended towing capacity.

## Product Photo



## NOTICE

Visit [www.curtmfg.com](http://www.curtmfg.com) for a full-color copy of this instruction manual, as well as helpful videos, guides and much more!

Before you begin installation, read all instructions thoroughly.

Proper tools will improve the quality of installation and reduce the time required.

This installation requires:

- Lowering DEF and exhaust

Periodic inspection of the trailer hitch should be performed to ensure all mounting hardware remains tight and structural components are secure.

To help prevent damage to the product or vehicle, refer to the specified torque specifications when securing hardware during the installation process.

## SAFETY INSTRUCTIONS

Safety glasses should be worn at all times while installing this product.

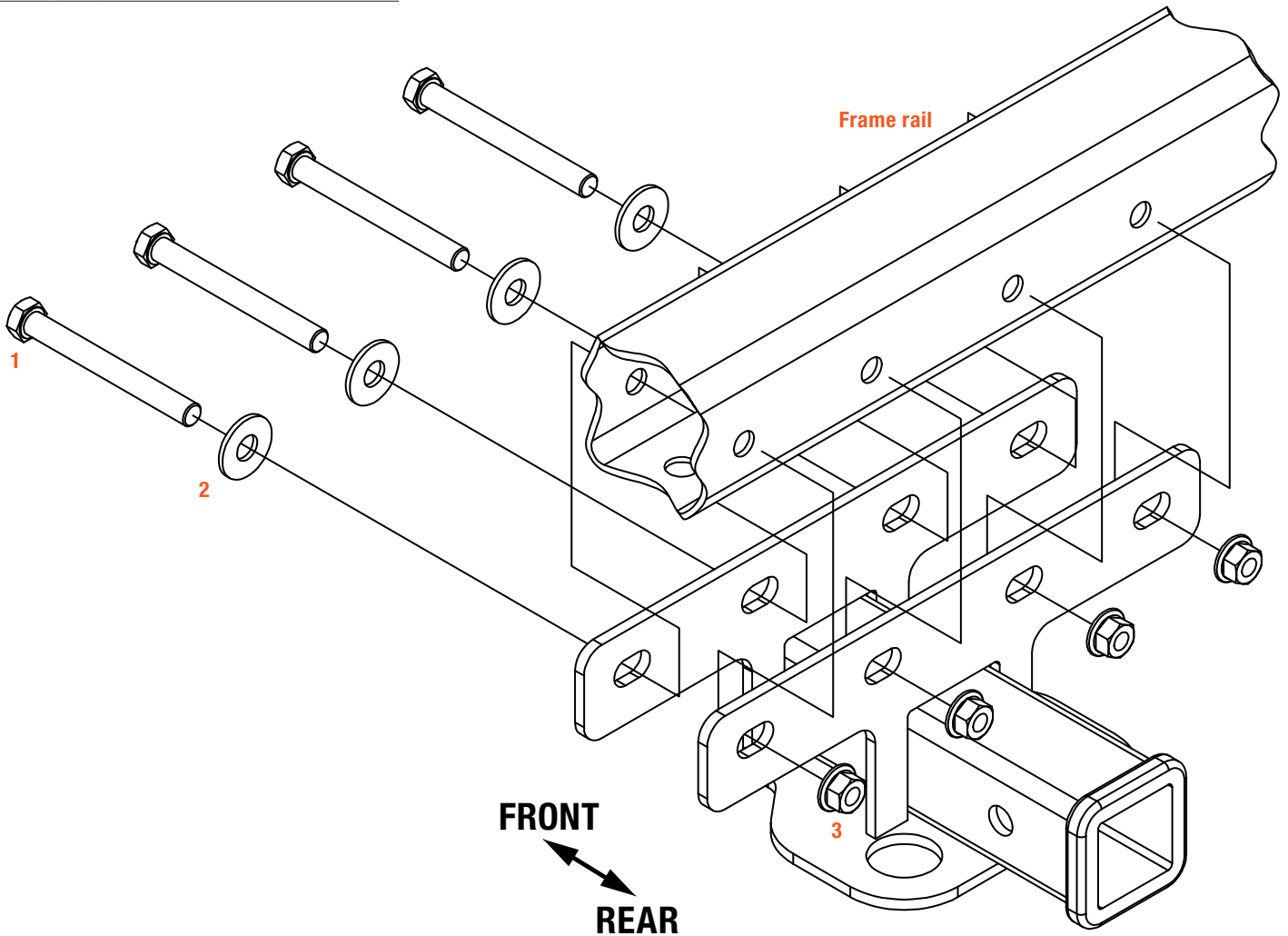
## Product Registration and Warranty

CURT stands behind our products with industry-leading warranties. To get copies of the product warranties, register your purchase or provide feedback, visit: [warranty.curtgroup.com/surveys](http://warranty.curtgroup.com/surveys)

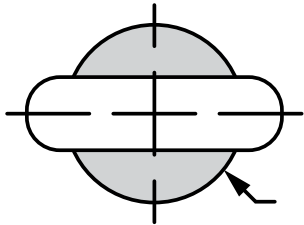
# ASSEMBLY

## Parts List

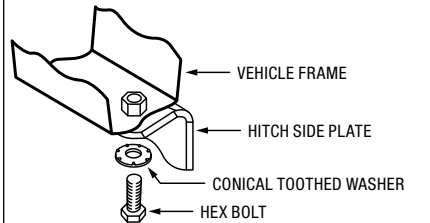
Item	Qty	Description
1	4	Hex bolt, 1/2"-13 x 4-1/2", grade 8
2	4	Flat washer, 1/2"
3	4	Serrated-flange nut, 1/2" - 13, grade 8



### HOLE ENLARGEMENT

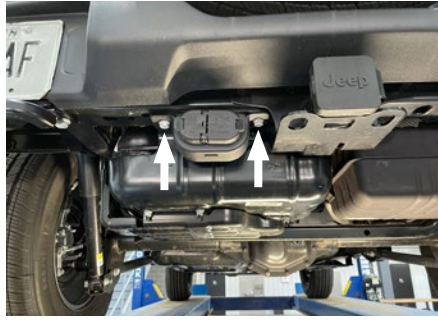


### CONICAL TOOTHED WASHER ORIENTATION



### Step 1

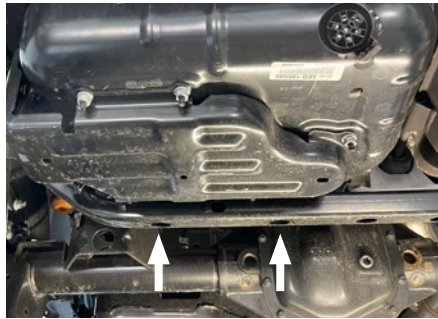
Remove two M10 x 1.5 bolts from rear of DEF tank mount using a 16mm socket.



### Step 2

Loosen, but do not fully remove, two M8 x 1.25 nuts on front of DEF tank using a 14mm socket.

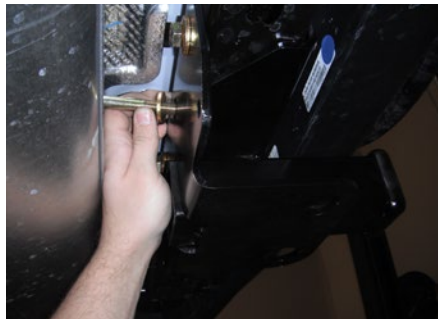
Lower tank for ease of installation.



### Step 3

Position the hitch over the cross member and align holes of the hitch with holes in cross member.

Insert the fasteners as shown making sure the flange nuts are installed on the exterior side of the hitch. Some models may require hole enlargement.



### Step 4

Torque four 1/2" fasteners (#1) to 110 lb-ft.

Raise the DEF tank back into position and torque the two M10 x 1.5 bolts to 51.0 lb-ft. and the two M8 x 1.25 nuts to 25.5 lb-ft.



## Final Installed Image



## TOWING BASICS & SAFETY INFORMATION

For information on safely towing your trailer, visit [curtmfg.com/understanding-towing](https://curtmfg.com/understanding-towing).