

13542 FORD FREESTYLE, 500, (NEW) TAURUS / MERCURY MONTEGO, SABLE

7/17/2012

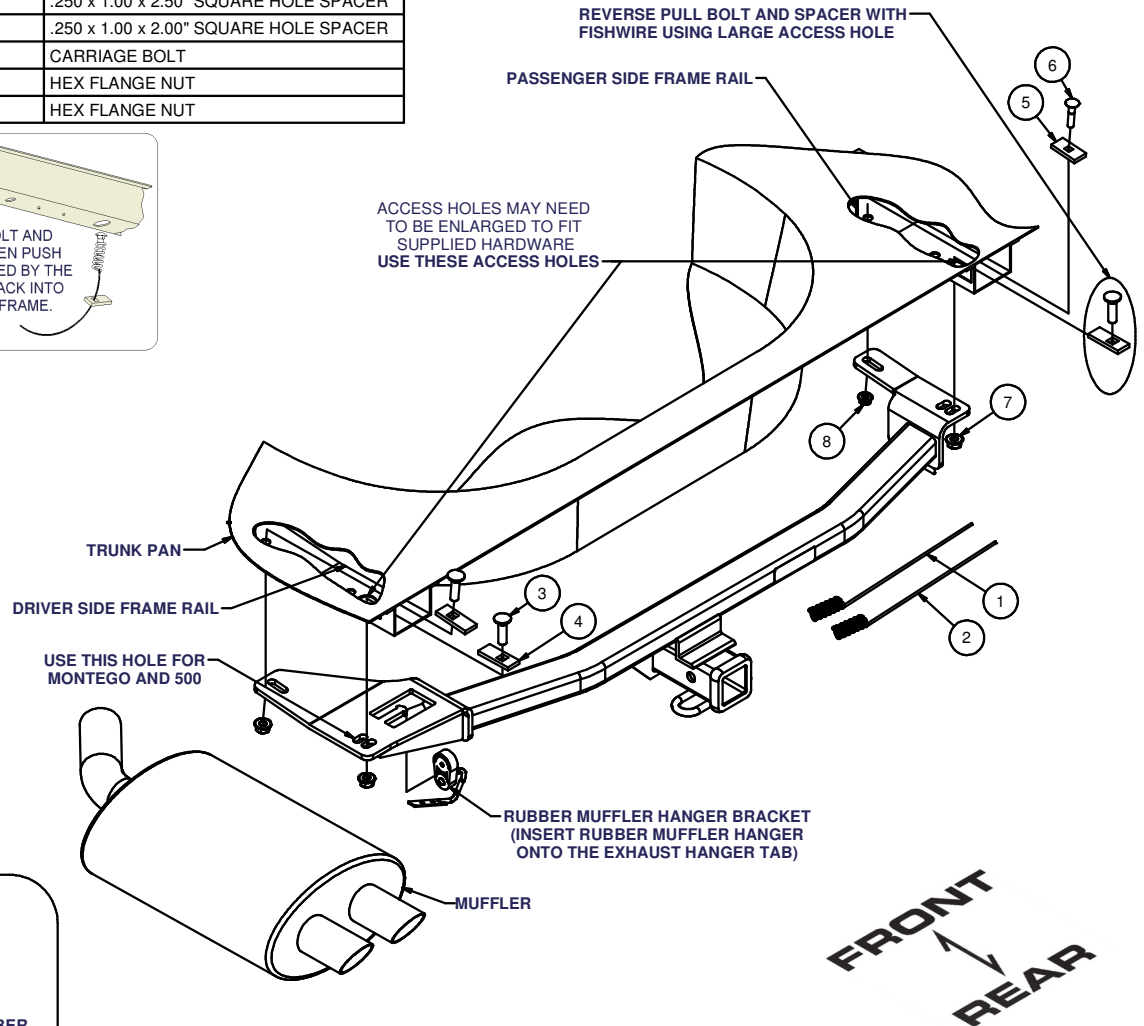
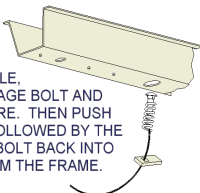
GROSS LOAD CAPACITY WHEN USED AS A WEIGHT CARRYING HITCH: 3,500 LBS. TRAILER WEIGHT & 350 LBS. TONGUE WEIGHT.
 GROSS LOAD CAPACITY WHEN USED AS A WEIGHT DISTRIBUTION HITCH: 4,000 LBS. TRAILER WEIGHT & 400 LBS. TONGUE WEIGHT

*****DO NOT EXCEED VEHICLE MANUFACTURER'S RECOMMENDED TOWING CAPACITY.*****

Parts List			
ITEM	QTY	PART NUMBER	DESCRIPTION
1	1	1/2"	FISHWIRE TOOL
2	1	CM-.375-FW	FISHWIRE TOOL
3	3	1/2-13 x 1 3/4	CARRIAGE BOLT
4	3	CM-SP10	.250 x 1.00 x 2.50" SQUARE HOLE SPACER
5	1	CM-SP18	.250 x 1.00 x 2.00" SQUARE HOLE SPACER
6	1	3/8 - 16 x 1 3/4	CARRIAGE BOLT
7	3	HFN 1213	HEX FLANGE NUT
8	1	HFN3816	HEX FLANGE NUT

REVERSE PULL FISHWIRE TECHNIQUE

TO FISHWIRE REARWARD HOLE, ATTACH FISHWIRE TO CARRIAGE BOLT AND SLIDE SPACER ONTO FISHWIRE. THEN PUSH THE BOLT THRU THE HOLE FOLLOWED BY THE SPACER (AS SHOWN). PULL BOLT BACK INTO POSITION, PROTRUDING FROM THE FRAME.



HITCH WEIGHT: 32 LBS.

INSTALL TIME: 40 MINUTES

INSTALL NOTES:

- LOWER VACCUM CANISTER
- LOWER MUFFLER AND RUBBER HANGER

INSTALLATION STEPS

- 1) Lower vaccum canister and muffler. (discard exhaust bracket)
- 2) Fishwire bolts and square hole spacers into position through access holes on the frame rails. (3/8" fasteners and spacer goes into the forward most hole on the passenger side)
- 4) Raise hitch into position and install remaining fasteners. (For free style use the forward most slot and the rearward most slot on hitch. For Montego and 500 use the opposite rearward hole.)
5. Torque 3/8" fasteners to 45 ft-lb
1/2" fasteners to 110 ft-lb

PERIODICALLY CHECK THIS RECEIVER HITCH TO ENSURE THAT ALL FASTENERS ARE TIGHT AND THAT ALL STRUCTURAL COMPONENTS ARE SOUND.

Curt Manufacturing Inc., warrants this product to be free of defects in material and/or workmanship at the time of retail purchase by the original purchaser. If the product is found to be defective, Curt Manufacturing Inc., may repair or replace the product, at their option, when the product is returned, prepaid, with proof of purchase. Alteration to, misuse of, or improper installation of this product voids the warranty. Curt Manufacturing Inc.'s liability is limited to repair or replacement of products found to be defective, and specifically excludes liability for incidental or consequential loss or damage.