

# INSTALLATION MANUAL

# 13512

## Level of Difficulty

Moderate

Installation difficulty levels are based on time and effort involved and may vary depending on the installer level of expertise, condition of the vehicle and proper tools and equipment.

## Weight Carrying Capacity

Gross trailer weight (GTW)	6,000 lbs.
Tongue weight (TW)	900 lbs.

## Weight Distribution Capacity

Weight distribution (WD)	6,000 lbs.
WD tongue weight (WDTW)	900 lbs.

## Parts List

Item	Qty	Description
1	6	Hex head cap screw, M12
2	6	Conical-toothed washer, M12

## Tools Required

Ratchet	Marker
Socket, 3/4"	Utility knife
Socket, 21mm	Tape measure
Socket extension, 6"	Exhaust removal tool
Torque wrench	Safety glasses

\* For a tools reference guide visit [curtmfg.com/trailer-hitch-installation](http://curtmfg.com/trailer-hitch-installation)

## ⚠ WARNING

Never exceed the vehicle manufacturer's recommended towing capacity.

## Product Photo



## NOTICE

Visit [www.curtmfg.com](http://www.curtmfg.com) for a full-color copy of this instruction manual, as well as helpful videos, guides and much more!

Before you begin installation, read all instructions thoroughly.

Proper tools will improve the quality of installation and reduce the time required.

This installation requires:

- Lowering of exhaust (3 hangers)
- Temporary removal of spare tire
- Trimming required

Periodic inspection of the trailer hitch should be performed to ensure all mounting hardware remains tight and structural components are secure.

To help prevent damage to the product or vehicle, refer to the specified torque specifications when securing hardware during the installation process.

Be careful when cutting plastic or metal as injury may occur if done improperly.

## SAFETY INSTRUCTIONS

Safety glasses should be worn at all times while installing this product.

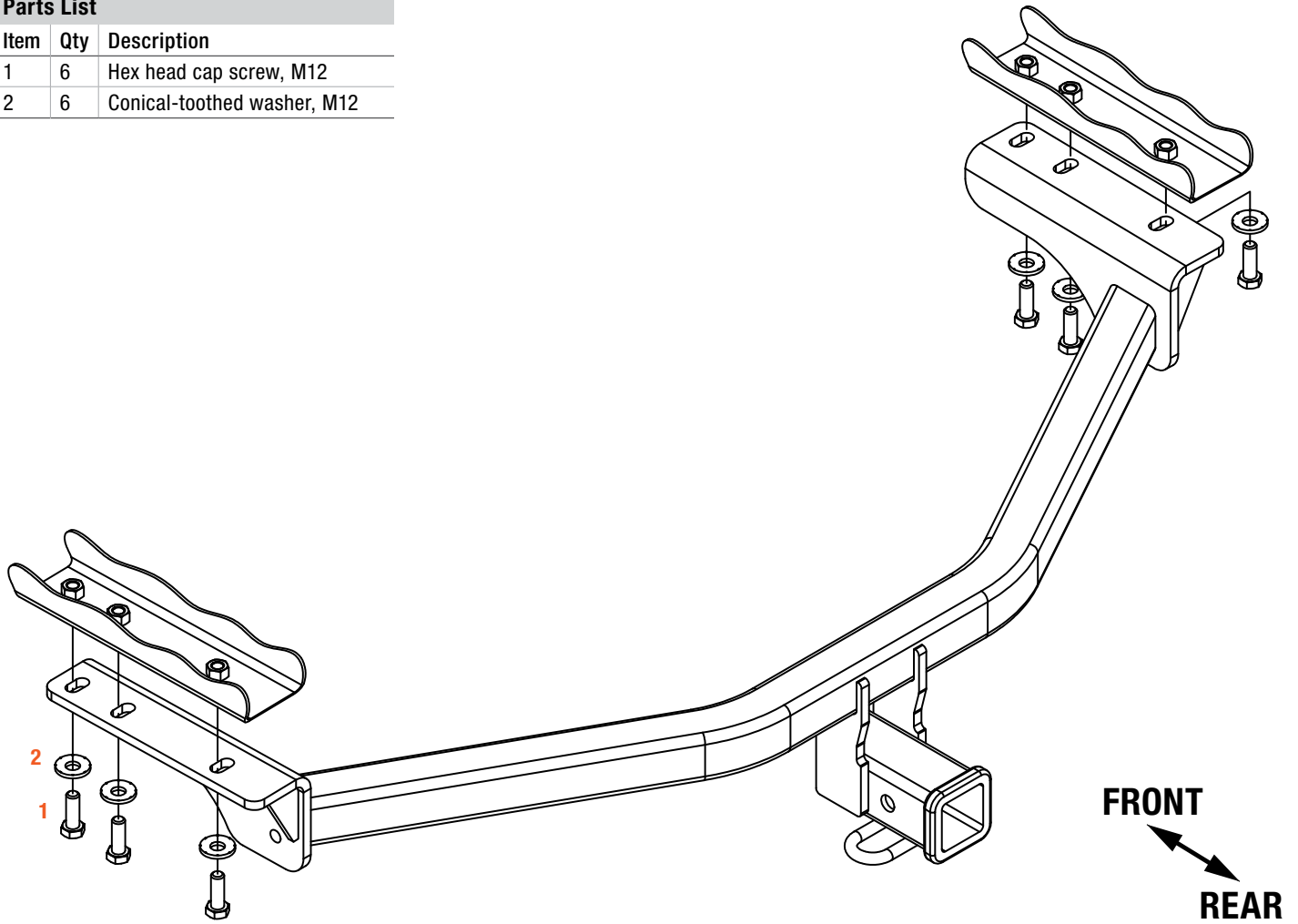
## Product Registration and Warranty

CURT stands behind our products with industry-leading warranties. To get copies of the product warranties, register your purchase or provide feedback, visit: [warranty.curtgroup.com/surveys](http://warranty.curtgroup.com/surveys)

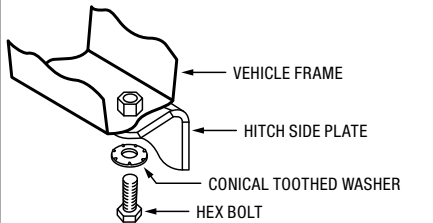
# ASSEMBLY

## Parts List

Item	Qty	Description
1	6	Hex head cap screw, M12
2	6	Conical-toothed washer, M12



### CONICAL TOOTHED WASHER ORIENTATION



### Step 1

To remove the spare tire, open the rear hatch to get to the spare tire lift.  
Use a 21mm socket to lower the spare tire and set aside.

### Step 2

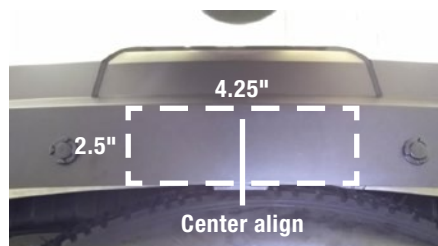
Lower the exhaust pipe using an exhaust removal pliers with soapy water and remove the three exhaust hangers.

#### NOTICE

Support the exhaust before removing rubber hangers.

### Step 3

Trim the bumper cover by measuring a 4.25" wide and 2.5" deep section in the center from the lowest edge. Mark and use a utility knife to cut the lower fascia as shown in the diagram.



### Step 4

Raise the hitch into position and loosely install the M12 bolts (#1) and conical washers (#2) securing the hitch to the vehicle as shown on the diagram on page 2.

### Step 5

Torque all M12 fasteners to 60 ft-lbs.

### Step 6

Reinstall the exhaust and spare tire back into position.

**Note:** Push the spare tire slightly forward to add clearance from the receiver.

## TOWING BASICS & SAFETY INFORMATION

For information on safely towing your trailer, visit [curtmfg.com/understanding-towing](http://curtmfg.com/understanding-towing).