



YEARS: 2015-2020

MAKE: FORD/LINCOLN

MODEL: EDGE/MKX/NAUTILUS

STYLE: SUV

WARNING: NEVER EXCEED YOUR VEHICLE MANUFACTURER'S RECOMMENDED TOWING CAPACITY
 For more information log onto www.curtmfg.com & for helpful towing tips log onto www.hitchinfo.com

WEIGHT CARRYING:
 TRAILER WEIGHT: 4500 LBS.
 TONGUE WEIGHT: 675 LBS.

WEIGHT DISTRIBUTION:
 TRAILER WEIGHT: 4500 LBS.
 TONGUE WEIGHT: 675 LBS.

PRO INSTALL TIME: 45 MIN.
NOVICE INSTALL TIME: 90 MIN.

IF YOU ARE HESITANT TO UNDERTAKE THIS TASK ON YOUR OWN, CONTACT AN AUTHORIZED CURT INSTALLER FOR ADDITIONAL ASSISTANCE.

INSTALLATION REQUIRES:

SAFETY GLASSES	RATCHET	6" SOCKET EXTENSION
5.5mm 10mm 7/16"	T20 TORXBIT SOCKET	SCREW DRIVER
DIE GRINDER	TORQUE WRENCH	

INSTALLATION TIPS:

- BEFORE YOU BEGIN INSTALLATION, READ ALL INSTRUCTIONS THOROUGHLY.
- TO EASE INSTALLATION, 2 PEOPLE MAY BE REQUIRED.
- USING PROPER TOOLS WILL GREATLY IMPROVE THE QUALITY OF THE INSTALL AND REDUCE THE TIME REQUIRED.
- NEED HELP OR HAVE SOME QUESTIONS? CALL TECHNICAL SUPPORT AT 877.287.8634

LEVEL OF DIFFICULTY: MODERATE

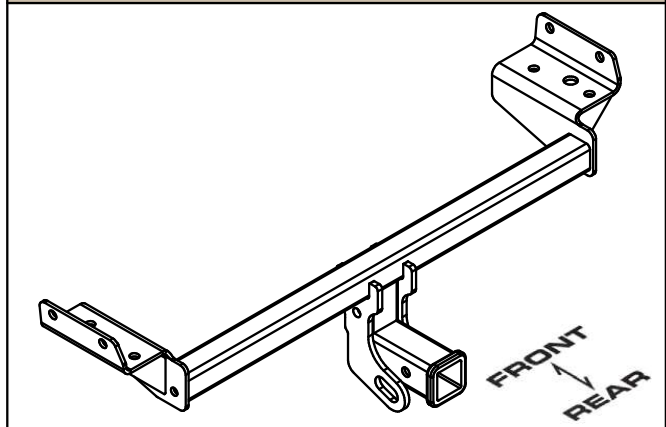
EASY	MODERATE	CHALLENGING
	NO DRILLING REQUIRED	
	TEMPORARY PANEL, FASCIA, AND EXHAUST HANGER REMOVAL	
	HEAT SHIELD REMOVAL	
	STUD REMOVAL	
	FISHWIRE	

VEHICLE PHOTO:



REPRESENTATIVE PHOTO

HITCH ILLUSTRATION:



MAKE SURE YOUR HITCH MATCHES

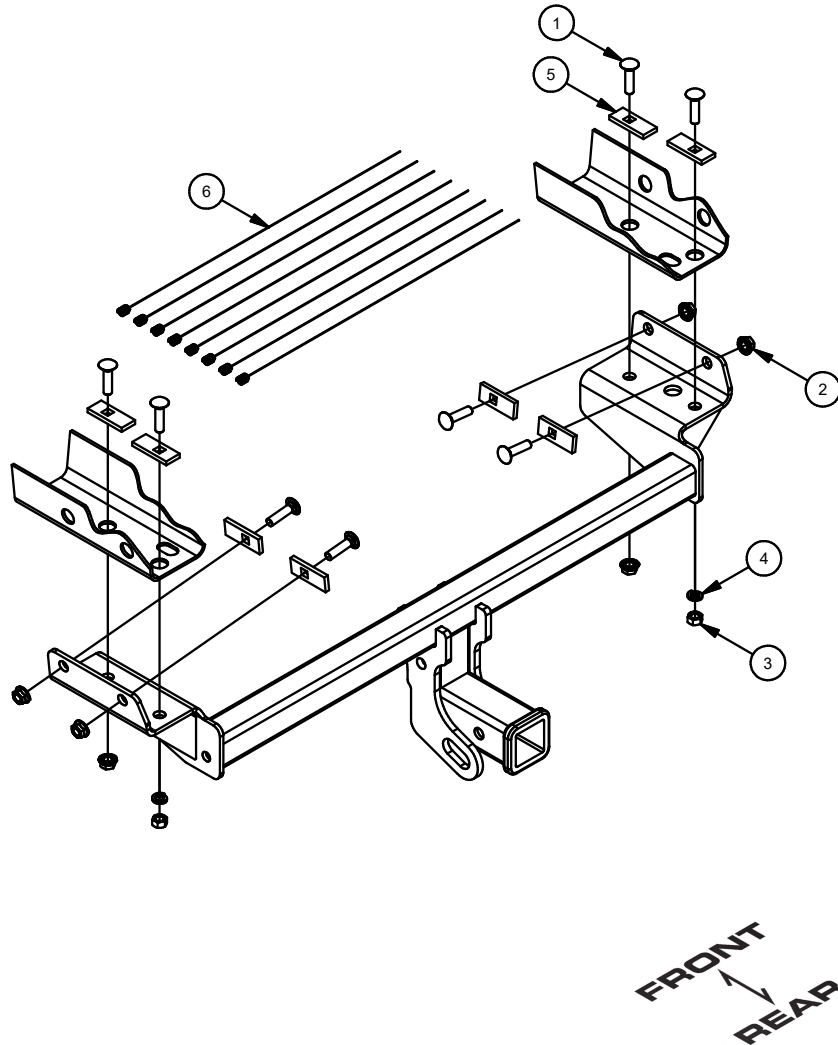


SCAN FOR MORE INFO

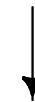
PERIODICALLY CHECK THIS RECEIVER HITCH TO ENSURE ALL FASTENERS ARE TIGHT AND ALL STRUCTURAL COMPONENTS ARE SOUND
 CURT Manufacturing LLC. warrants this product to be free of defects in material and/or workmanship at the time of retail purchase by the original purchaser. If the product is found to be defective, CURT Manufacturing LLC. may repair or replace the product at their option, when the product is returned, prepaid, with proof of purchase. Alteration to, misuse of, or improper installation of this product voids the warranty. CURT Manufacturing LLC.'s liability is limited to repair or replacement of products found to be defective, and specifically excludes liability for incidental or consequential loss or damage.
 For more information log onto www.curtmfg.com
 This product complies with safety specifications and requirements for connecting devices and towing systems of the state of New York, V.E.S.C.Regulation V-5 and SAE J684.

INSTALLATION WALKTHROUGH:

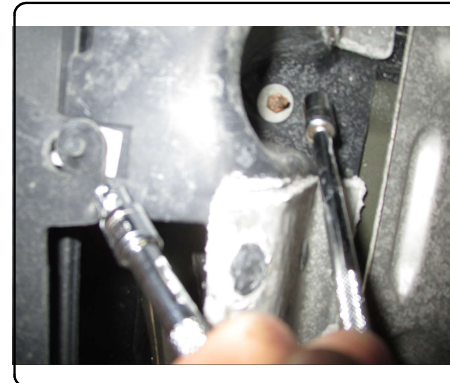
Parts List			
ITEM	QTY	PART NUMBER	DESCRIPTION
1	8	10-10314	BOLT, CAR,7/16-14 UNC,1-3/4,GRD8,YZ
2	6	20-00103	NUT, SER-FLANGE,7/16-14 UNC,GRD8,YZ
3	2	20-00147	NUT,HEX,7/16-14 UNC,GRD8,YZ
4	2	30-00184	WASHER,LOCK,7/16,YZ
5	8	CM-SP11	.250 x 1.00 x 2.50" SQUARE HOLE SPACER
6	8	7_16 FISHWIRE	7/16" FISHWIRE



1. **All models**, remove bottom side plastic panel by removing (2) bolts on the fascia and (2) flange nuts under the car by the muffler on each side of the fascia. Set aside for reinstallation in STEP 14.

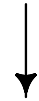


2. **For Ford and Lincoln models with heat shield**, remove center plastic panel with heat shields by removing (6) bolts and (1) flange nut. Return to owner.

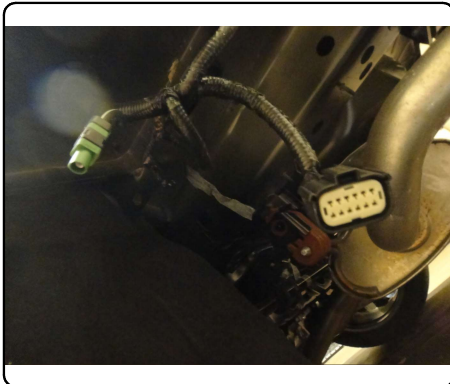


INSTALLATION WALKTHROUGH:

3. **For Lincoln models**, removal of bumper fascia is recommended for easier installation. Remove the (7) push fasteners in the wheel well, gently pull on the wheel well trim to reveal the (1) bolt, and remove bolt on each side. Leave wheel well pulled out and set aside pull fasteners and bolts for reinstallation in STEP 14.



4. **For Lincoln models**, open the trunk. Gently pull the fascia away from the car. Disconnect all electrical connectors attached to the fascia and the rest of the vehicle. Reinstall in STEP 14.

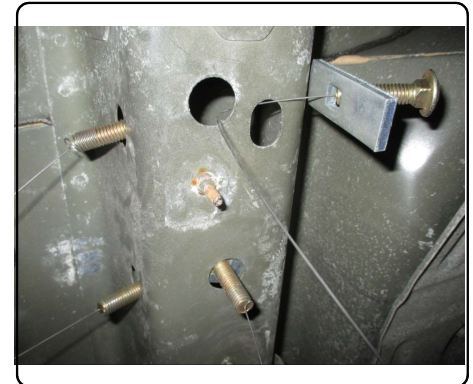
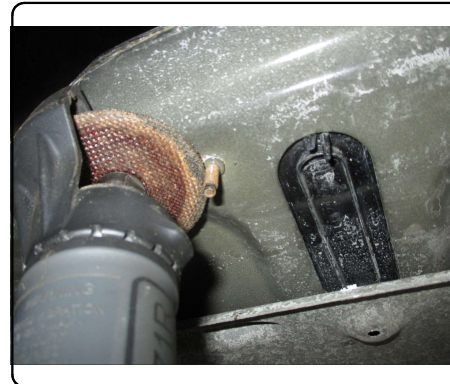


For more information log onto www.curtmfg.com

5. **For Ford models**, lower muffler by removing exhaust hanger rod from rubber isolator on both sides. Use stand to support and prevent from damaging muffler.

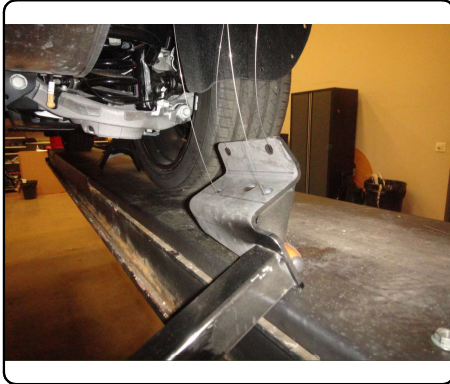


6. **All models**, use die grinder to cut off the stud, which is above the center of the muffler.
7. **All models**, feed carriage bolts and spacers into slot and through the (4) large holes in the frame using fishwire each side. Leave bolts in frame and fishwire attached.

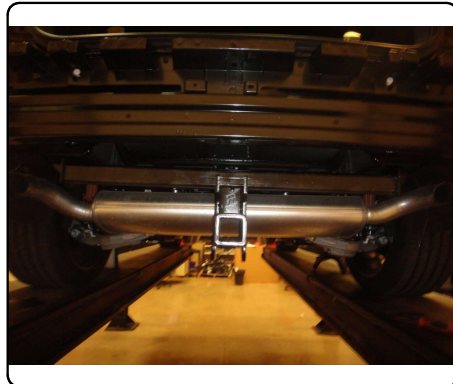


INSTALLATION WALKTHROUGH:

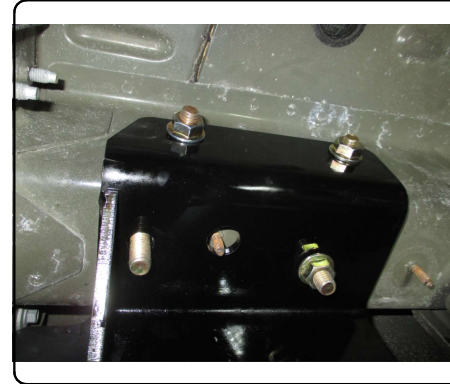
8. **All models**, feed fishwires previously installed through (4) holes in the hitch each side.
9. **All models**, raise hitch into position by sliding it over passenger side exhaust first.



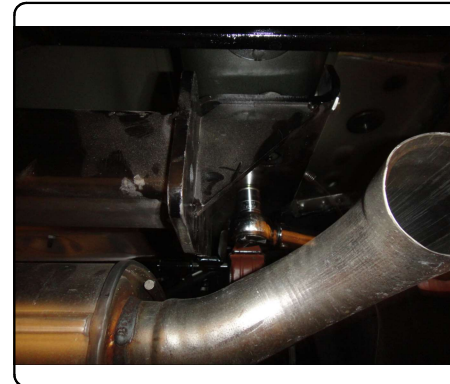
10. **All models**, pull the fishwires for the (2) side plate bolts each side first to hold the hitch into place.
11. **All models**, pull the other fishwires through the (2) bottom plate bolts each side.



12. **All models**, remove fishwires and loosely install (3) flanged hex nut and (1) lock washer and hex nut each side to hitch.
Note: Place lock washers and hex nut on bolt closest to gusset on hitch.



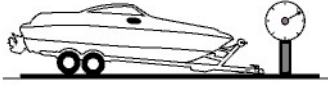
13. **All models**, torque all 7/16" fasteners to 59 lb-ft.
14. **All models**, reinstall all fasteners, plastic panels, fascia, wheel wells, and muffler and reconnect all electrical connectors in STEPS 1-5.



TOWING SAFETY INFORMATION

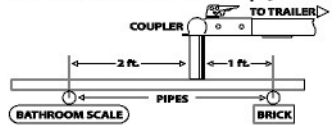
Gross Trailer Weight / GTW

The Gross Trailer Weight is the weight of the trailer & cargo. Measure this by putting the fully loaded trailer on a vehicle scale.



Tongue Weight / TW

The downward force that is exerted on the hitch ball by the coupler. The tongue weight will vary depending on where the load is positioned in relationship to the trailer axle(s). To measure the tongue weight, use either a commercial scale or a bathroom scale with the coupler at towing height. When using a bathroom scale with heavier tongue weights, use the method shown and multiply the scale reading by 3.



Weight Carrying / WC

The total weight of both the trailer and the cargo inside. Never exceed the weight capacity of your trailer hitch.

Weight Distribution / WD

Used to balance the weight of the cargo between the front and rear wheels throughout the trailer, allowing for better steering, braking, and level riding.



Sway Control

A device used to reduce the lateral movements of the trailer that are caused by the wind. This works in conjunction with a weight distribution hitch. Do not use this on a class 1 or 2 hitch, or with surge brakes.

How Much Can You Safely Tow?

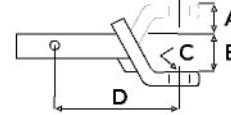
TONGUE WEIGHT (lb.)	1000	2000	3000	4000	5000	6000	7000	8000	10,000	12,000	
Tongue weight should be about 10 to 15 percent of the gross trailer weight.											
TRAILER TYPE	CLASS 1		CLASS 2			CLASS 3			CLASS 4		CLASS 5
Camper	11'	12'	13'	14'	15'	16'					
lbs.	1100	1200	1300	1400	1500	1600					
Vacation	18'	18'	18'	20'	22'	24'	26'	28'	30'	32'	
lbs.	2100	2400	2700	3000	3300	3600	3900	4200	4500	4800	
Vacation	18'	18'	18'	20'	22'	24'	26'	28'	30'	32'	
lbs.	2800	3200	3600	4000	4400	4800	5200	5600	6000	6400	
5th Wheel											

Refer to owner's manual for towing capabilities and limitations.

Ball Mount

The ball mount is placed inside the opening of the receiver hitch which is mounted to the vehicle. Make sure a hitch pin and clip is properly securing the ball mount to the receiver hitch before you begin towing.

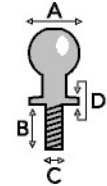
- A: Rise. B: Drop. C: Hole Size. D: Length.



Trailer Ball

The connection from the hitch to the trailer. There are many factors that determine the correct hitch ball:

- Number one is the hitch ball's gross trailer weight rating.
- The mounting platform must be at least 3/8" thick.
- The hole diameter must not be more than 1/16" larger than the threaded shank.
- Every time you tow, check the nut and lock washer to make sure they are fastened securely.
- A: Ball Dia. B: Shank Length. C: Shank Dia. D: Shank Rise.



Coupler

The component that is placed over the trailer ball to connect the vehicle to the trailer. Be sure that the coupler size matches the size of the hitch ball and that the coupler handle is securely fastened. To determine what size hitch ball you need for your application you will need to know the size of coupler that is on the trailer. Be sure your coupler is properly adjusted to the ball you are using.

NOTE: For added security the use of safety devices such as Coupler Safety Pins and Locks is strongly recommended.

Safety Chains

Safety chains are a requirement and should be crossed under the tongue of the trailer so that the tongue will not drop to the road if it becomes separated from the hitch. Always leave enough slack so you can turn. Never allow the safety chains to drag on the ground and never attach the chains to the bumper.

Trailer Classification: Safety Chain Breaking Force - Minimum

Class 1: 2,000 lbs. (8.9 kN)

Class 2: 3,500 lbs. (15.6 kN)

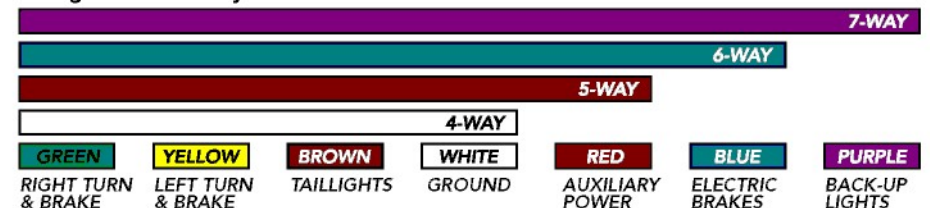
Class 3: 5,000 lbs. (22.2 kN)

The strength rating of each length of safety chain or its equivalent and its attachments shall be equal to or exceed in minimum breaking force the GVWR (Gross Vehicle Weight Rating) of the trailer.

Electrical

Trailer lights, Electric Brakes, Break-away systems - Every time you tow, be sure to check that all components are working properly.

Wiring identification by color:



CURT DISCLAIMER: WIRING COLOR SHOWN WORK IN CONJUNCTION WITH CURT MANUFACTURING PRODUCTS.

13452

2015-2020 FORD EDGE / LINCOLN MKX/NAUTILUS

GROSS LOAD CAPACITY WHEN USED AS A WEIGHT CARRYING HITCH: 4500 LBS. TRAILER WEIGHT & 675 LBS. TONGUE WEIGHT.
 GROSS LOAD CAPACITY WHEN USED AS A WEIGHT DISTRIBUTION HITCH: 4500 LBS. TRAILER WEIGHT & 675 LBS. TONGUE WEIGHT

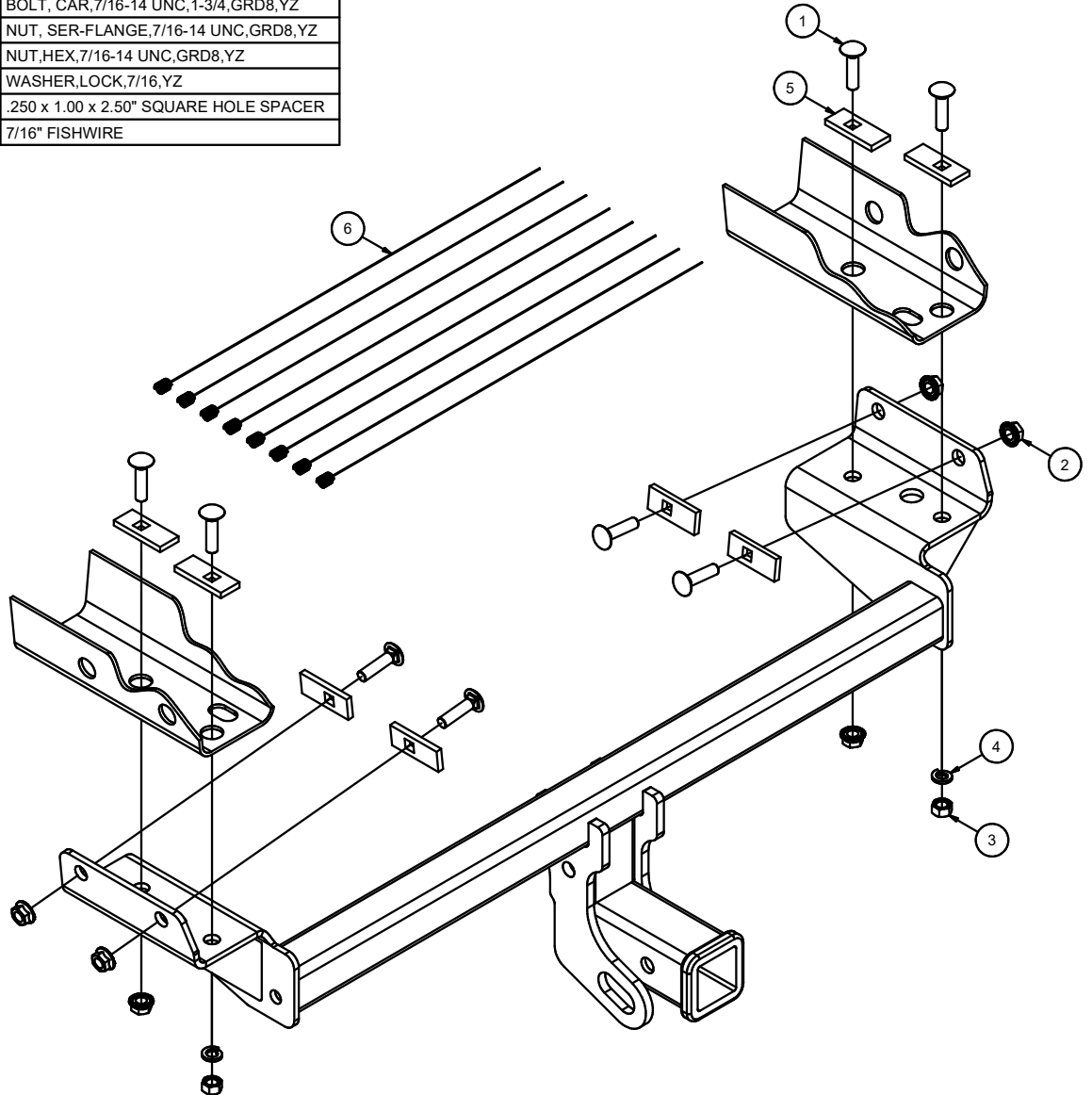


WARNING: * DO NOT EXCEED VEHICLE MANUFACTURER'S RECOMMENDED TOWING CAPACITY. *****

FOR MORE INFORMATION LOG ONTO WWW.CURTMFG.COM
 HAVING INSTALLATION QUESTIONS? CALL TECHNICAL SUPPORT AT 1-877-287-8634



Parts List			
ITEM	QTY	PART NUMBER	DESCRIPTION
1	8	10-10314	BOLT, CAR, 7/16-14 UNC, 1-3/4, GRD8, YZ
2	6	20-00103	NUT, SER-FLANGE, 7/16-14 UNC, GRD8, YZ
3	2	20-00147	NUT, HEX, 7/16-14 UNC, GRD8, YZ
4	2	30-00184	WASHER, LOCK, 7/16, YZ
5	8	CM-SP11	.250 x 1.00 x 2.50" SQUARE HOLE SPACER
6	8	7_16 FISHWIRE	7/16" FISHWIRE



HITCH WEIGHT: 37 LBS.

INSTALL TIME

PROFESSIONAL: 45 MINUTES

NOVICE (DIY): 90 MINUTES

INSTALL NOTES:

- NO DRILLING REQUIRED
- TEMPORARY PANEL REMOVAL
- TEMPORARY FASCIA REMOVAL
- TEMPORARY EXHAUST HANGER REMOVAL
- HEAT SHIELD REMOVAL
- STUD REMOVAL
- FISHWIRE

TOOLS REQUIRED
SAFETY GLASSES
RATCHET
6" SOCKET EXTENSION
5MM, 10MM, 7/16" SOCKET
T20 TORXBIT SOCKET
SCREW DRIVER
DIE GRINDER
TORQUE WRENCH

FRONT
 ↓
 REAR

PERIODICALLY CHECK THIS RECEIVER HITCH TO ENSURE THAT ALL FASTENERS ARE TIGHT AND THAT ALL STRUCTURAL COMPONENTS ARE SOUND.



Scan for more information

CURT Manufacturing LLC., warrants this product to be free of defects in material and/or workmanship at the time of retail purchase by the original purchaser. If the product is found to be defective, CURT Manufacturing LLC., may repair or replace the product, at their option, when the product is returned, prepaid, with proof of purchase. Alteration to, misuse of, or improper installation of this product voids the warranty. CURT Manufacturing LLC.'s liability is limited to repair or replacement of products found to be defective, and specifically excludes liability for incidental or consequential loss or damage.

This product complies with safety specifications and requirements for connecting devices and towing systems of the state of New York, V.E.S.C.Regulation V-5 and SAE J684.

13452

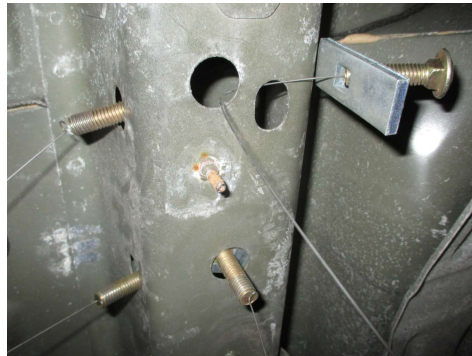
2015-2020 FORD EDGE / LINCOLN MKX/NAUTILUS

GROSS LOAD CAPACITY WHEN USED AS A WEIGHT CARRYING HITCH: 4500 LBS. TRAILER WEIGHT & 675 LBS. TONGUE WEIGHT.
 GROSS LOAD CAPACITY WHEN USED AS A WEIGHT DISTRIBUTION HITCH: 4500 LBS. TRAILER WEIGHT & 675 LBS. TONGUE WEIGHT



WARNING: * DO NOT EXCEED VEHICLE MANUFACTURER'S RECOMMENDED TOWING CAPACITY. *****

FOR MORE INFORMATION LOG ONTO WWW.CURTMFG.COM
 HAVING INSTALLATION QUESTIONS? CALL TECHNICAL SUPPORT AT 1-877-287-8634



INSTALLATION STEPS

1. **All models**, remove bottom side plastic panel by removing (2) bolts on the fascia and (2) flange nuts under the car by the muffler on each side of the fascia. Set aside for reinstallation in STEP 14.
2. **For Ford and Lincoln models with heat shield**, remove center plastic panel with heat shields by removing (6) bolts and (1) flange nut. Return to owner.
3. **For Lincoln models**, removal of bumper fascia is recommended for easier installation. Remove the (7) push fasteners in the wheel well, gently pull on the wheel well trim to reveal the (1) bolt, and remove bolt on each side. Leave wheel well pulled out and set aside push fasteners and bolts for reinstallation in STEP 14.
4. **For Lincoln models**, open the trunk. Gently pull the fascia away from the car. Disconnect all electrical connectors attached to the fascia and the rest of the vehicle. Reinstall in STEP 14.
5. **For Ford models**, lower muffler by removing exhaust hanger rod from rubber isolator on both sides. Use stand to support and prevent from damaging muffler.
6. **All models**, use die grinder to cut off the stud, which is above the center of the muffler.
7. **All models**, feed carriage bolts and spacers into slot and through the (4) large holes in the frame using fishwire each side. Leave bolts in frame and fishwire attached.
8. **All models**, feed fishwires previously installed through (4) holes in the hitch each side.
9. **All models**, raise hitch into position by sliding it over passenger side exhaust first.
10. **All models**, pull the fishwires for the (2) side plate bolts each side first to hold the hitch into place.
11. **All models**, pull the other fishwires through the (2) bottom plate bolts each side.
12. **All models**, remove fishwires and loosely install (3) flanged hex nut and (1) lock washer and hex nut each side to hitch. **Note:** Place lock washers and hex nut on bolt closest to gusset on hitch.
13. **All models**, torque all 7/16" fasteners to 59 lb-ft.
14. **All models**, reinstall all fasteners, plastic panels, fascia, wheel wells, and muffler and reconnect all electrical connectors in STEPS 1-5

PERIODICALLY CHECK THIS RECEIVER HITCH TO ENSURE THAT ALL FASTENERS ARE TIGHT AND THAT ALL STRUCTURAL COMPONENTS ARE SOUND.



Scan
for more
information

CURT Manufacturing LLC., warrants this product to be free of defects in material and/or workmanship at the time of retail purchase by the original purchaser. If the product is found to be defective, CURT Manufacturing LLC., may repair or replace the product, at their option, when the product is returned, prepaid, with proof of purchase. Alteration to, misuse of, or improper installation of this product voids the warranty. CURT Manufacturing LLC.'s liability is limited to repair or replacement of products found to be defective, and specifically excludes liability for incidental or consequential loss or damage.

This product complies with safety specifications and requirements for connecting devices and towing systems of the state of New York, V.E.S.C.Regulation V-5 and SAE J684.