

INSTALLATION MANUAL

13364

Level of Difficulty

Easy

Installation difficulty levels are based on time and effort involved and may vary depending on the installer level of expertise, condition of the vehicle and proper tools and equipment.

Weight Carrying Capacity

Gross trailer weight (GTW)	4,000 lbs.
Tongue weight (TW)	400 lbs.

Weight Distribution Capacity

Weight distribution (WD)	5,000 lbs.
WD tongue weight (WDTW)	500 lbs.

Parts List

You will be using existing hardware..

Tools Required

Drive ratchet, 3/8"	Torque wrench
Drive socket, 3/8"- 13mm	Drive socket, 3/8"- 18mm
Drive socket, 3/8"- 15mm	Screwdriver
Utility knife	Punch

* For a tools reference guide visit curtmfg.com/trailer-hitch-installation

⚠ WARNING

Never exceed the vehicle manufacturer's recommended towing capacity.

Product Photo



⚠ CAUTION

When tightening the trailer hitch to the vehicle, make sure the hitch does not pinch or crush any AC lines, if applicable.

You will be using existing fasteners. Make sure to leave the bolt on the passenger side to hold the bumper beam in position.

NOTICE

Visit www.curtmfg.com for a full-color copy of this instruction manual, as well as helpful videos, guides and much more!

Before you begin installation, read all instructions thoroughly.

Proper tools will improve the quality of installation and reduce the time required.

This installation requires you to lower the vehicle's exhaust. Some trimming may be required. You will be using existing fasteners. No drilling is required

Periodic inspection of the trailer hitch should be performed to ensure all mounting hardware remains tight and structural components are secure.

To help prevent damage to the product or vehicle, refer to the specified torque specifications when securing hardware during the installation process.

SAFETY INSTRUCTIONS

Safety glasses should be worn at all times while installing this product.

Product Registration and Warranty

CURT stands behind our products with industry-leading warranties. To get copies of the product warranties, register your purchase or provide feedback, visit: warranty.curtgroup.com/surveys

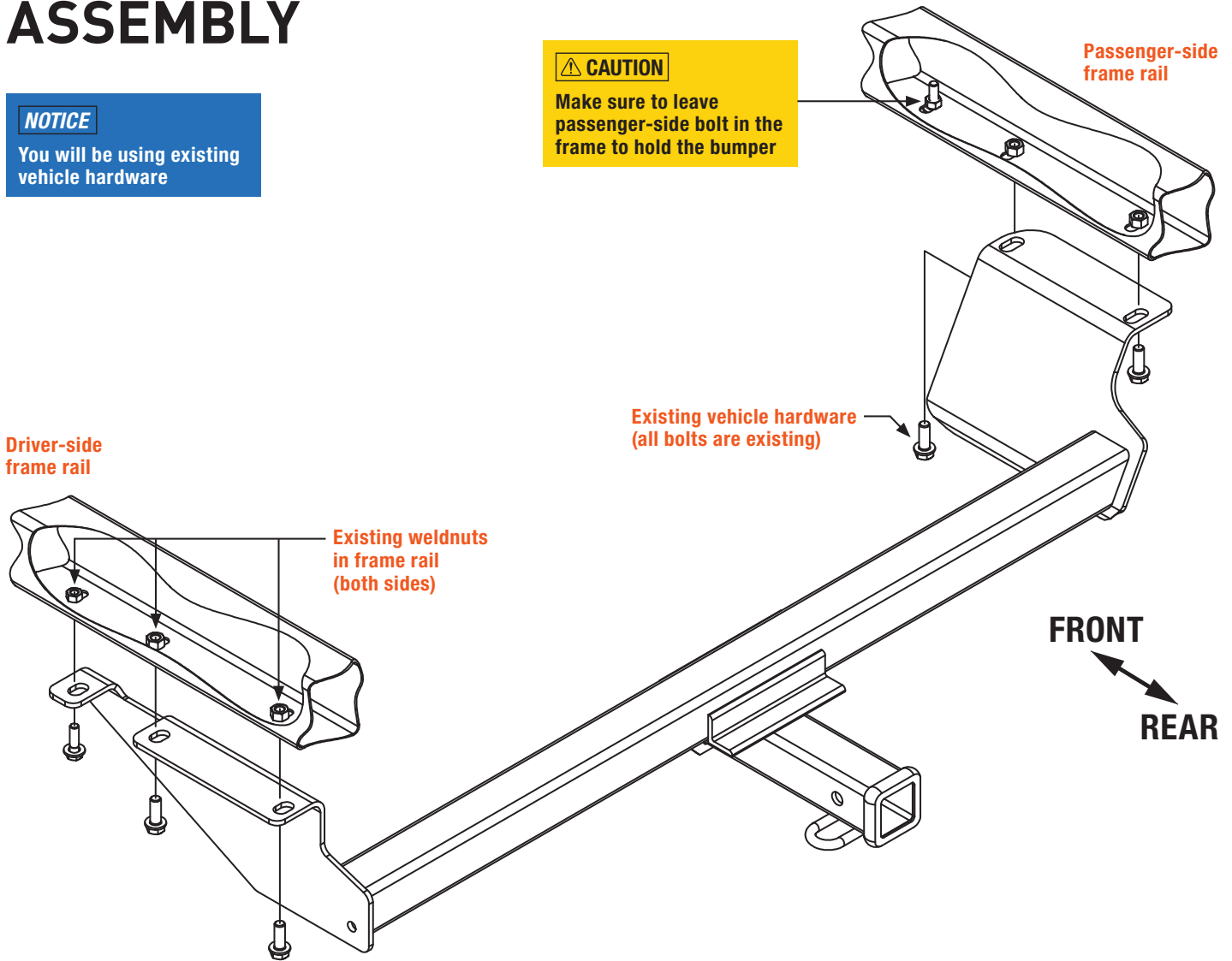
ASSEMBLY

NOTICE

You will be using existing vehicle hardware

CAUTION

Make sure to leave passenger-side bolt in the frame to hold the bumper



Step 1

Locate and remove the two bolts from the frame using a 15mm socket and three bolts using an 18mm socket as shown. **IMPORTANT:** Leave one M12 bolt on passenger side of the vehicle frame toward the front of vehicle. This holds the bumper bracket to the vehicle frame.

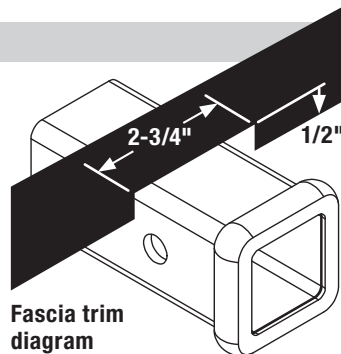
Remove the bolt(s) securing the exhaust and muffler hanger(s). This will allow the exhaust to drop out of the way for hitch installation.

Step 2

Raise the hitch into position against the bottom of the vehicle frame and align the holes in the hitch frame brackets with the holes in the vehicle frame.

Make sure air conditioning lines are not pinched between the hitch and frame rail (if applicable).

Some fascia trimming may be required, see diagram.



Fascia trim diagram

Step 3

Mount hitch using existing M10 and M12 bolts. You may need a punch or screwdriver to align the holes.

Step 4

Torque all M10 fasteners to 48 lb-ft and all M12 fasteners to 86 lb-ft.

Step 5

Raise the muffler back into position and reinstall any other exhaust hardware removed in Step 1.

Note: Rotating the exhaust hanger bracket before tightening will add clearance between the side bracket and the exhaust.

TOWING BASICS & SAFETY INFORMATION

For information on safely towing your trailer, visit curtmfg.com/understanding-towing.