

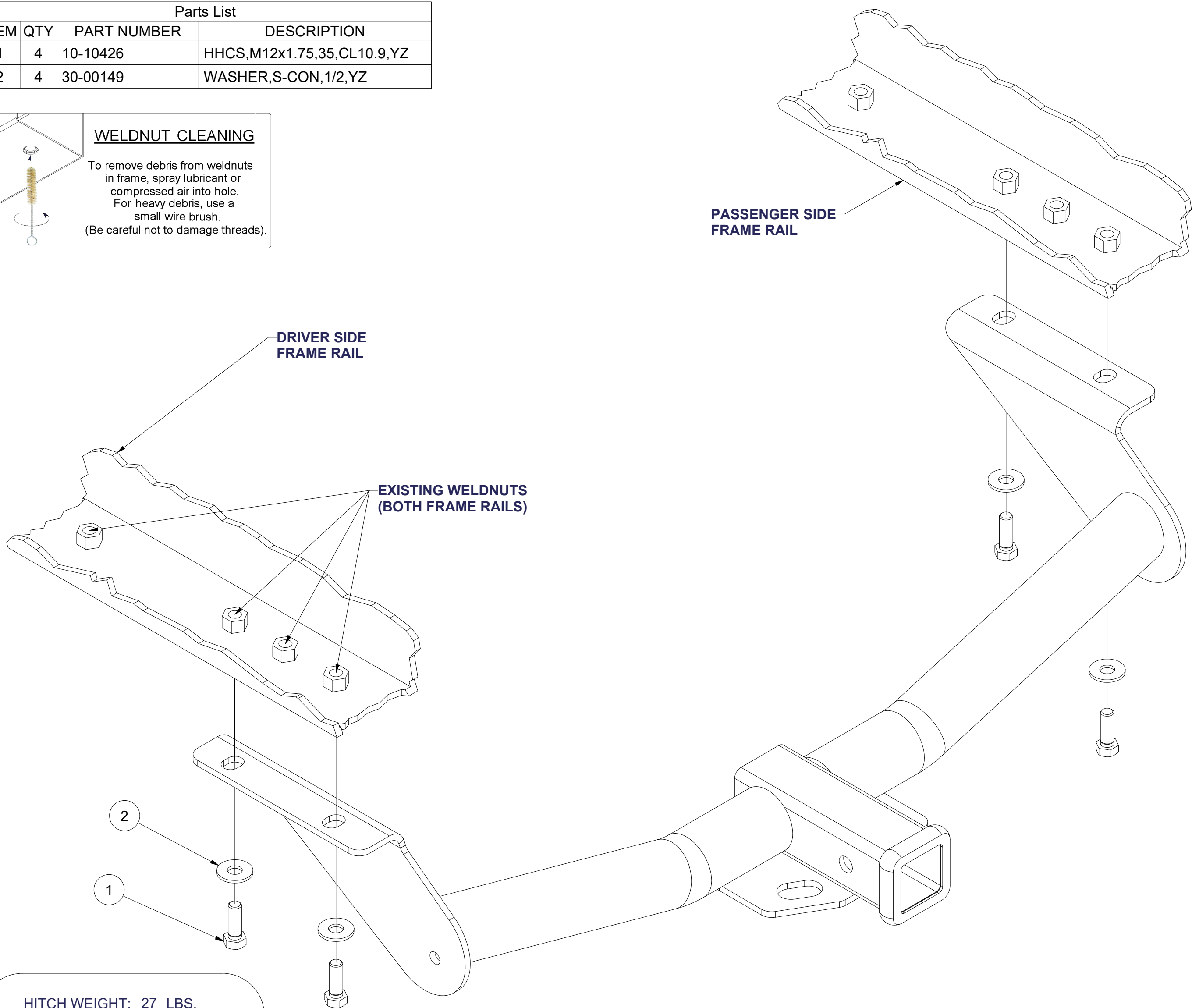
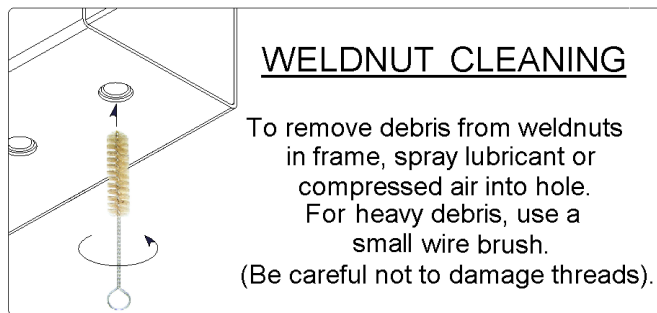
13244 / 78226 / RRH13244

01-07 JEEP LIBERTY

2/1/2021

GROSS LOAD CAPACITY WHEN USED AS A WEIGHT CARRYING HITCH: 4,000 LBS. TRAILER WEIGHT & 400 LBS. TONGUE WEIGHT.  
**\*\*\*DO NOT EXCEED VEHICLE MANUFACTURER'S RECOMMENDED TOWING CAPACITY.\*\*\***

Parts List			
ITEM	QTY	PART NUMBER	DESCRIPTION
1	4	10-10426	HHCS,M12x1.75,35,CL10.9,YZ
2	4	30-00149	WASHER,S-CON,1/2,YZ



HITCH WEIGHT: 27 LBS.

INSTALL TIME: 15 MINUTES

INSTALL NOTES:

**NO DRILLING REQUIRED**

## INSTALLATION STEPS

- 1) Remove tow hook if present.
- 2) Remove the two rearmost M12 fasteners from the vehicle if present.
- 3) Raise the hitch into position and loosely install the hardware as shown.
- 4) Torque all fasteners to 79 lb.-ft.

**PERIODICALLY CHECK THIS RECEIVER HITCH TO ENSURE THAT ALL FASTENERS ARE TIGHT AND THAT ALL STRUCTURAL COMPONENTS ARE SOUND.**

Curt Manufacturing Inc., warrants this product to be free of defects in material and/or workmanship at the time of retail purchase by the original purchaser. If the product is found to be defective, Curt Manufacturing Inc., may repair or replace the product, at their option, when the product is returned, prepaid, with proof of purchase. Alteration to, misuse of, or improper installation of this product voids the warranty. Curt Manufacturing Inc.'s liability is limited to repair or replacement of products found to be defective, and specifically excludes liability for incidental or consequential loss or damage.