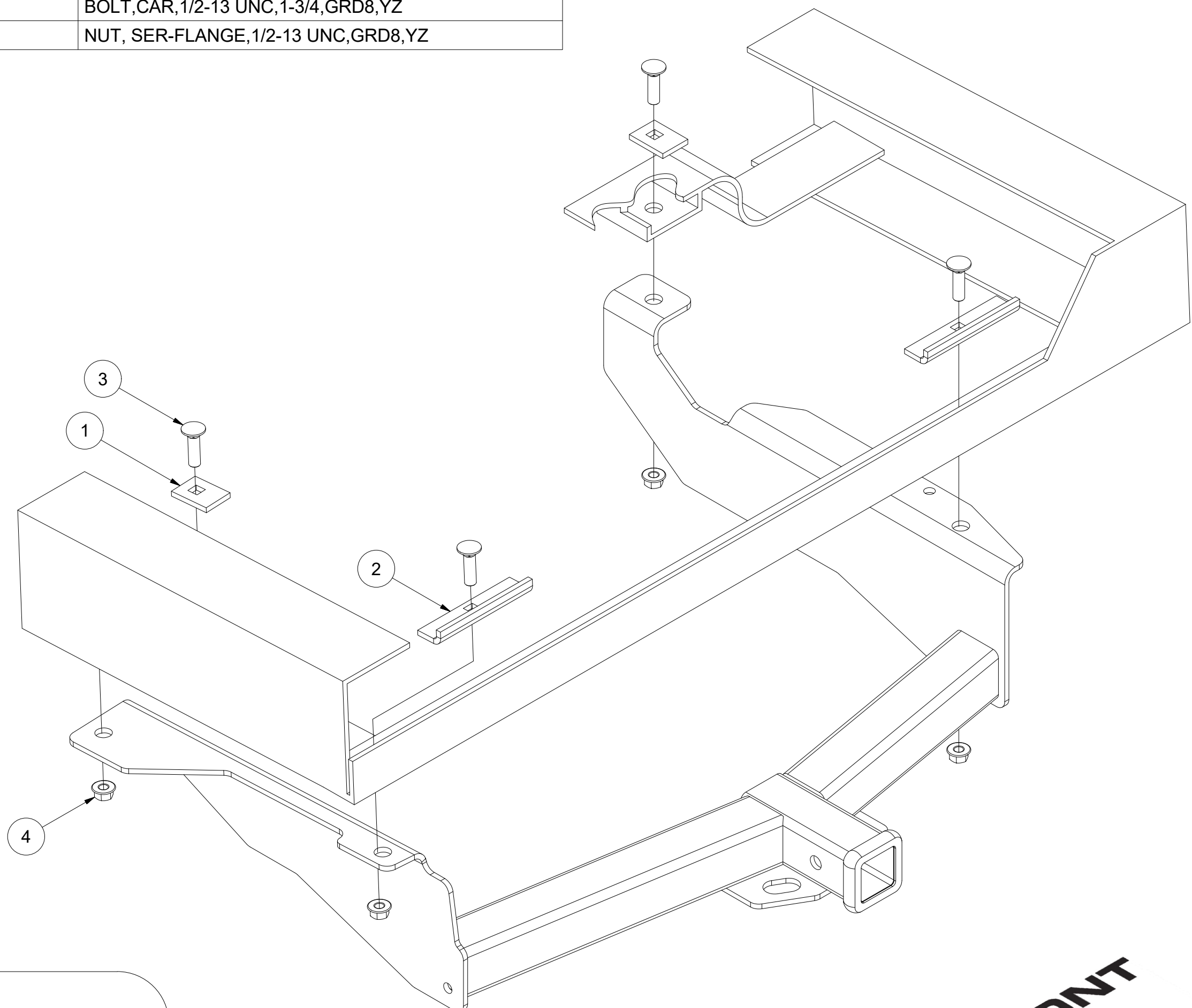


13097 / 757697 / RRH 13097**98-03 DODGE DURANGO****8/20/2020**

**GROSS LOAD CAPACITY WHEN USED AS A WEIGHT CARRYING HITCH: 5000 LBS. TRAILER WEIGHT & 500 LBS. TONGUE WEIGHT.
 GROSS LOAD CAPACITY WHEN USED AS A WEIGHT DISTRIBUTION HITCH: 8000 LBS. TRAILER WEIGHT & 800 LBS. TONGUE WEIGHT**

*****DO NOT EXCEED VEHICLE MANUFACTURER'S RECOMMENDED TOWING CAPACITY.*****

Parts List			
ITEM	QTY	PART NUMBER	DESCRIPTION
1	2	CM-SP1	.250 x 1.50 x 2.00" SQUARE HOLE SPACER
2	2	CM-SP21	.250 x 1.39 x 5.50" FORMED SQUARE HOLE SPACER
3	4	10-10272	BOLT,CAR,1/2-13 UNC,1-3/4,GRD8,YZ
4	4	20-00062	NUT, SER-FLANGE,1/2-13 UNC,GRD8,YZ



FRONT
 ↑
REAR

HITCH WEIGHT: 47 LBS.

INSTALL TIME: 20 MINUTES

INSTALL NOTES:

NO DRILLING REQUIRED

INSTALLATION STEPS

***** NOTE:** Some spare tires may need to be slightly loosened during hitch installation. Retighten spare tire after hitch has been installed.

1) **Raise Receiver** into position under vehicle as shown.

2) **Torque** 1/2 fasteners to 110 lb-ft.

PERIODICALLY CHECK THIS RECEIVER HITCH TO ENSURE THAT ALL FASTENERS ARE TIGHT AND THAT ALL STRUCTURAL COMPONENTS ARE SOUND.

Curt Manufacturing Inc., warrants this product to be free of defects in material and/or workmanship at the time of retail purchase by the original purchaser. If the product is found to be defective, Curt Manufacturing Inc., may repair or replace the product, at their option, when the product is returned, prepaid, with proof of purchase. Alteration to, misuse of, or improper installation of this product voids the warranty. Curt Manufacturing Inc.'s liability is limited to repair or replacement of products found to be defective, and specifically excludes liability for incidental or consequential loss or damage.