

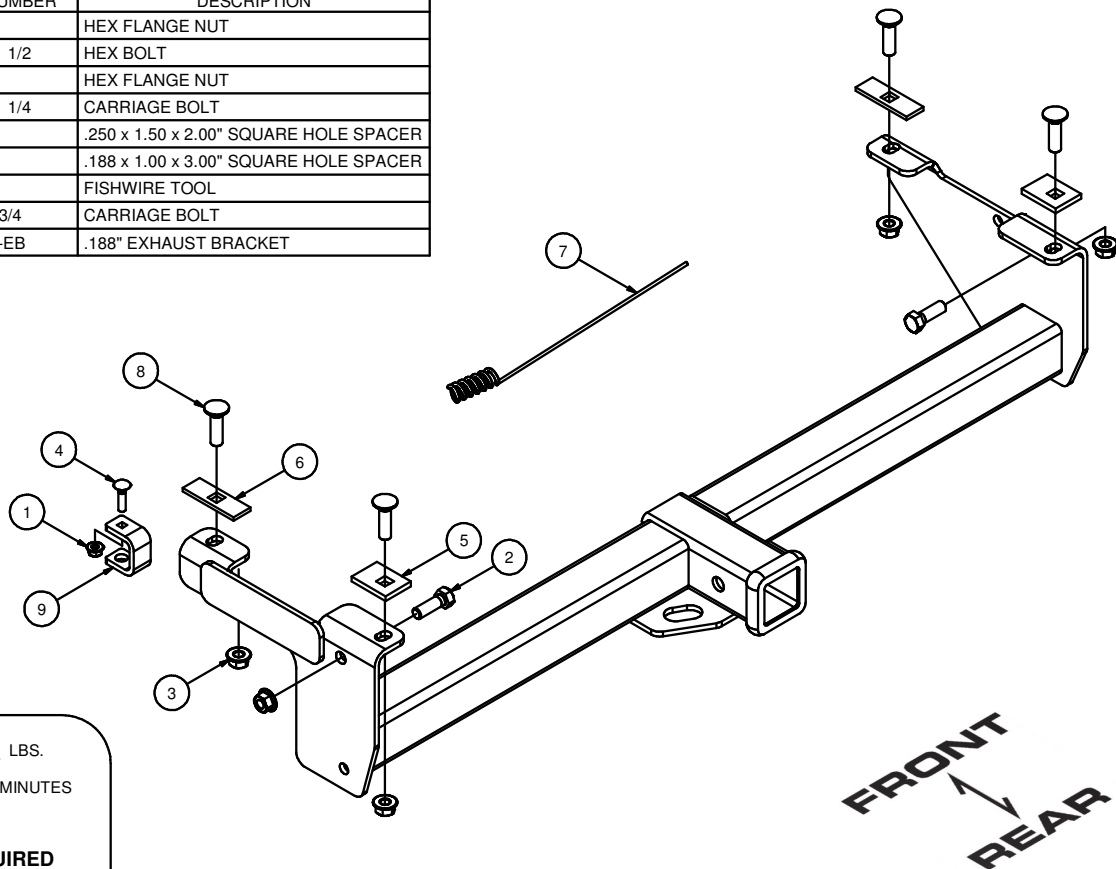
13095 / 757221

87-95 NISSAN PATHFINDER

10/1/2012

GROSS LOAD CAPACITY WHEN USED AS A WEIGHT CARRYING HITCH: 5,000 LBS. TRAILER WEIGHT & 500 LBS. TONGUE WEIGHT
 GROSS LOAD CAPACITY WHEN USED AS A WEIGHT DISTRIBUTION HITCH: 6,000 LBS. TRAILER WEIGHT & 600 LBS. TONGUE WEIGHT
 DO NOT EXCEED VEHICLE MANUFACTURER'S RECOMMENDED TOWING CAPACITY.

| Parts List | | | |
|------------|-----|------------------|--|
| ITEM | QTY | PART NUMBER | DESCRIPTION |
| 1 | 1 | 5/16-18 | HEX FLANGE NUT |
| 2 | 2 | 1/2 - 13 x 1 1/2 | HEX BOLT |
| 3 | 6 | HFN 1213 | HEX FLANGE NUT |
| 4 | 1 | 5/16-18 x 1 1/4 | CARRIAGE BOLT |
| 5 | 2 | CM-SP1 | .250 x 1.50 x 2.00" SQUARE HOLE SPACER |
| 6 | 2 | CM-SP40 | .188 x 1.00 x 3.00" SQUARE HOLE SPACER |
| 7 | 1 | 1/2" | FISHWIRE TOOL |
| 8 | 4 | 1/2-13 x 1 3/4 | CARRIAGE BOLT |
| 9 | 1 | CM-13095-EB | .188" EXHAUST BRACKET |



HITCH WEIGHT: 37 LBS.

INSTALL TIME: 35 MINUTES

INSTALL NOTES:

DRILLING REQUIRED**INSTALLATION STEPS**

- 1) FOR EASE OF INSTALLATION LOWER VEHICLE EXHAUST FROM THE HANGERS.
- 2) REMOVE THE BRACKETS AT THE END OF THE FRAME WHICH ARE POSITIONED IN THE HITCH MOUNTING LOCATION.
- 3) REMOVE THE EXHAUST ISOLATOR FROM THE LOWERED EXHAUST. THE ISOLATOR WILL BE RE-ATTACHED LATER IN THE INSTALLATION.
- 4) FISHWIRE CARRIAGE BOLTS AND SPACERS THRU THE FRAME AND OUT THE AVAILABLE REAR MOUNTING HOLES.
- 5) RAISE THE HITCH INTO POSITION AND ATTACH IT TO THE FRAME USING THE 1/2" FLANGE NUTS PROVIDED.
- 6) INSTALL A 1/2" HEX BOLT THRU THE SIDE BRACKET AND HITCH PLATE, ATTACH USING A 1/2" FLANGE NUT. (Both sides)
- 7) USING THE HITCH AS A TEMPLATE DRILL OUT THE FRONT MOUNTING HOLE TO 17/32".
- 8) FISHWIRE A CARRIAGE BOLT AND SPACER THRU THE ACCESS SLOT LOCATED ON THE INSIDE OF THE FRAME RAIL NEAR THE GAS TANK AND OUT THE FRONT MOUNTING HOLE LOCATION. ATTACH A 1/2" FLANGE NUT AS SHOWN.
- 9) ATTACH ONE END OF THE EXHAUST ISOLATOR TO THE BRACKET PROVIDED USING THE 5/16" HARDWARE AND ATTACH THE OTHER END TO THE ISOLATOR HANGER.
- 10) TORQUE ALL 1/2" HARDWARE TO 110 FT/LBS.
- 11) RE-CONNECT THE EXHAUST TO THE HANGERS WHEN INSTALLATION IS COMPLETE.

PERIODICALLY CHECK THIS RECEIVER HITCH TO ENSURE THAT ALL FASTENERS ARE TIGHT AND THAT ALL STRUCTURAL COMPONENTS ARE SOUND.

Curt Manufacturing Inc., warrants this product to be free of defects in material and/or workmanship at the time of retail purchase by the original purchaser. If the product is found to be defective, Curt Manufacturing Inc., may repair or replace the product, at their option, when the product is returned, prepaid, with proof of purchase. Alteration to, misuse of, or improper installation of this product voids the warranty. Curt Manufacturing Inc.'s liability is limited to repair or replacement of products found to be defective, and specifically excludes liability for incidental or consequential loss or damage.