

13071

## CHEVROLET / GMC 2500 / 3500 (LONG BOX)

10/12/2012

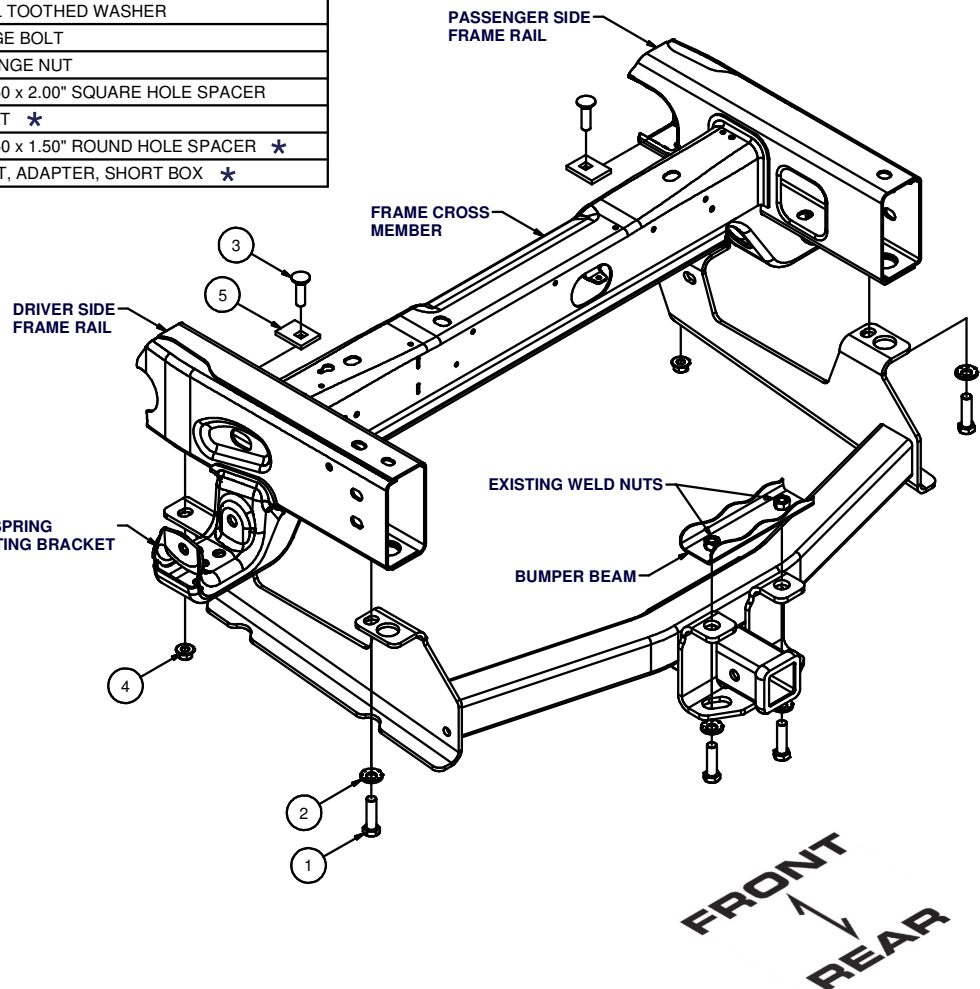
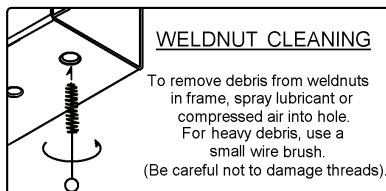
GROSS LOAD CAPACITY WHEN USED AS A WEIGHT CARRYING HITCH: 8,000 LBS. TRAILER WEIGHT & 800 LBS. TONGUE WEIGHT.  
 GROSS LOAD CAPACITY WHEN USED AS A WEIGHT DISTRIBUTION HITCH: 12,000 LBS. TRAILER WEIGHT & 1,200 LBS. TONGUE WEIGHT

\*\*\*DO NOT EXCEED VEHICLE MANUFACTURER'S RECOMMENDED TOWING CAPACITY.\*\*\*

HAVING INSTALLATION QUESTIONS? CALL TECHNICAL SUPPORT AT 1-800-798-0813

| Parts List |     |                      |   |
|------------|-----|----------------------|---|
| ITEM       | QTY | PART NUMBER          | DESCRIPTION                             |
| 1          | 4   | M14 - 2 x 45 HEX     | HEX BOLT                                |
| 2          | 8   | 9/16" CONICAL WASHER | CONICAL TOOTHED WASHER                  |
| 3          | 2   | 1/2-13 x 1 3/4       | CARRIAGE BOLT                           |
| 4          | 6   | HFN 1213             | HEX FLANGE NUT                          |
| 5          | 2   | CM-SP1               | .250 x 1.50 x 2.00" SQUARE HOLE SPACER  |
| 6          | 4   | 1/2 - 13 x 1 1/2     | HEX BOLT *                              |
| 7          | 2   | CM-SP22              | .250 x 1.50 x 1.50" ROUND HOLE SPACER * |
| 8          | 2   | CB-13071-BA          | BRACKET, ADAPTER, SHORT BOX *           |

\* Short Box Hardware Only



## TOOLS REQUIRED

RATCHET  
 TORQUE WRENCH  
 10" EXTENSION  
 21mm SOCKET  
 3/4" SOCKET

HITCH WEIGHT: 51 LBS.

## INSTALL TIME

PROFESSIONAL: 20 MINUTES

NOVICE (DIY): 40 MINUTES

## INSTALL NOTES:

- LOWER SPARE TIRE FOR EASE OF INSTALLATION
- REMOVE EXISTING BOLTS
- NO DRILLING REQUIRED

## INSTALLATION STEPS

1. Remove existing 14mm fasteners from end of each frame rail if present and return to customer. Lower spare tire from vehicle to ease installation.
2. Raise hitch into position, locating slots in hitch over weldnuts in vehicle frame.
3. Install 14mm bolts and conical toothed washers through hitch into weldnuts in vehicle frame and bumper. Install 1/2" carriage bolts, spacers, and nuts as shown above.
4. Torque all 14mm fasteners to 126 ft-lbs, and all 1/2" fasteners to 110 ft-lbs.
5. Raise spare tire back into position on vehicle.

**PERIODICALLY CHECK THIS RECEIVER HITCH TO ENSURE THAT ALL FASTENERS ARE TIGHT AND THAT ALL STRUCTURAL COMPONENTS ARE SOUND.**

Curt Manufacturing Inc., warrants this product to be free of defects in material and/or workmanship at the time of retail purchase by the original purchaser. If the product is found to be defective, Curt Manufacturing Inc., may repair or replace the product, at their option, when the product is returned, prepaid, with proof of purchase. Alteration to, misuse of, or improper installation of this product voids the warranty. Curt Manufacturing Inc.'s liability is limited to repair or replacement of products found to be defective, and specifically excludes liability for incidental or consequential loss or damage.

13071

## CHEVROLET / GMC 2500 / 3500 (SHORT BOX)

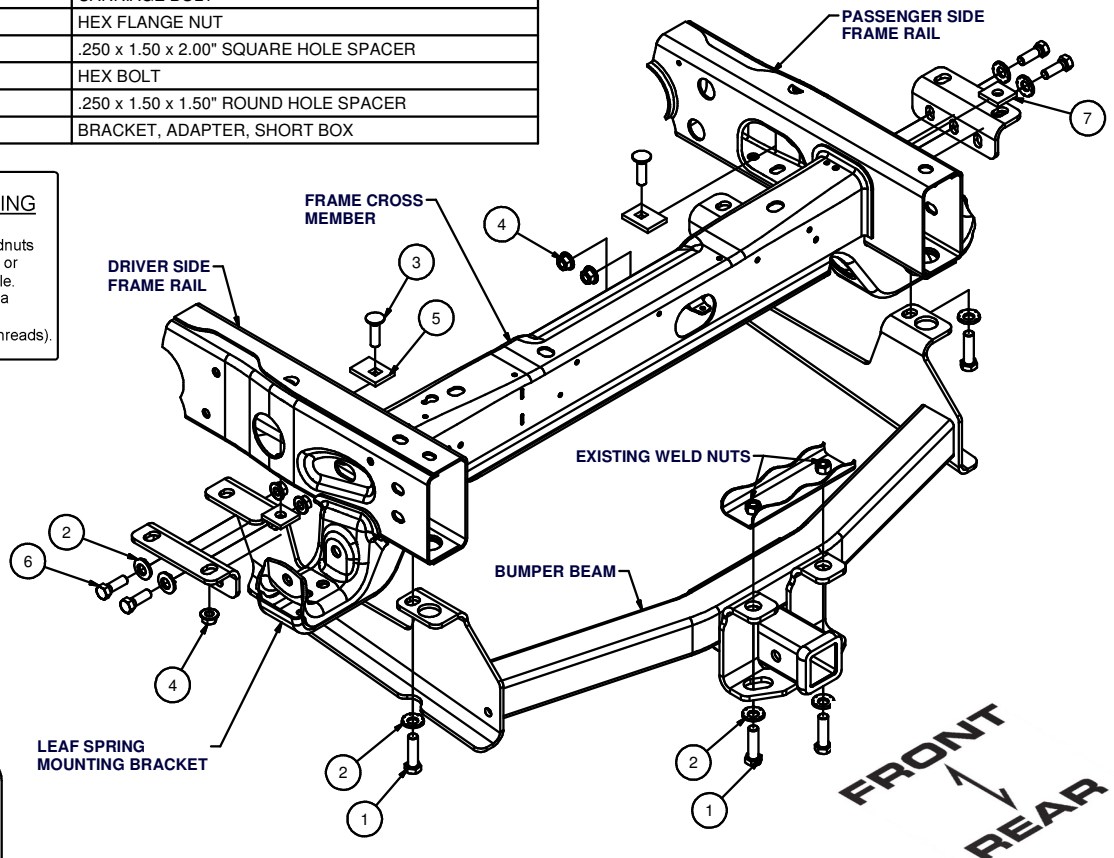
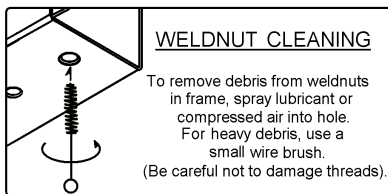
10/12/2012

GROSS LOAD CAPACITY WHEN USED AS A WEIGHT CARRYING HITCH: 8,000 LBS. TRAILER WEIGHT & 800 LBS. TONGUE WEIGHT.  
 GROSS LOAD CAPACITY WHEN USED AS A WEIGHT DISTRIBUTION HITCH: 12,000 LBS. TRAILER WEIGHT & 1,200 LBS. TONGUE WEIGHT

\*\*\*DO NOT EXCEED VEHICLE MANUFACTURER'S RECOMMENDED TOWING CAPACITY.\*\*\*

HAVING INSTALLATION QUESTIONS? CALL TECHNICAL SUPPORT AT 1-800-798-0813

| Parts List |     |                      |  |
|------------|-----|----------------------|--|
| ITEM       | QTY | PART NUMBER          | DESCRIPTION                            |
| 1          | 4   | M14 - 2 x 45 HEX     | HEX BOLT                               |
| 2          | 8   | 9/16" CONICAL WASHER | CONICAL TOOTHED WASHER                 |
| 3          | 2   | 1/2-13 x 1 3/4       | CARRIAGE BOLT                          |
| 4          | 6   | HFN 1213             | HEX FLANGE NUT                         |
| 5          | 2   | CM-SP1               | .250 x 1.50 x 2.00" SQUARE HOLE SPACER |
| 6          | 4   | 1/2 - 13 x 1 1/2     | HEX BOLT                               |
| 7          | 2   | CM-SP22              | .250 x 1.50 x 1.50" ROUND HOLE SPACER  |
| 8          | 2   | CB-13071-BA          | BRACKET, ADAPTER, SHORT BOX            |



## TOOLS REQUIRED

RATCHET

TORQUE WRENCH

10" EXTENSION

21mm SOCKET

3/4" SOCKET

HITCH WEIGHT: 51 LBS.

## INSTALL TIME

PROFESSIONAL: 20 MINUTES

NOVICE (DIY): 40 MINUTES

## INSTALL NOTES:

- LOWER SPARE TIRE FOR EASE OF INSTALLATION
- REMOVE EXISTING BOLTS
- NO DRILLING REQUIRED

## INSTALLATION STEPS

1. Remove existing 14mm fasteners from end of each frame rail if present and return to customer. Lower spare tire from vehicle to ease installation.
2. Remove rearmost 8mm bolt holding plastic heat shield to bottom of frame on passenger's side.
3. Attach angle brackets (item no. 8) to side plates of hitch with hardware provided (Torque to specs below)
4. Raise hitch into position, locating slots in hitch over weldnuts in vehicle frame.
5. Sandwich plastic heat shield tab between hitch and frame on passenger side of truck. In some cases it may be necessary to trim gusset on heat shield to allow it to remain in place.
6. Install 14mm bolts and conical toothed washers through hitch into weldnuts in vehicle frame and bumper. Install 1/2" carriage bolts, spacers, and nuts as shown above.
7. Torque all 14mm fasteners to 126 ft-lbs, and all 1/2" fasteners to 110 ft-lbs.
8. Raise spare tire back into position on vehicle.

**PERIODICALLY CHECK THIS RECEIVER HITCH TO ENSURE THAT ALL FASTENERS ARE TIGHT AND THAT ALL STRUCTURAL COMPONENTS ARE SOUND.**

Curt Manufacturing Inc., warrants this product to be free of defects in material and/or workmanship at the time of retail purchase by the original purchaser. If the product is found to be defective, Curt Manufacturing Inc., may repair or replace the product, at their option, when the product is returned, prepaid, with proof of purchase. Alteration to, misuse of, or improper installation of this product voids the warranty. Curt Manufacturing Inc.'s liability is limited to repair or replacement of products found to be defective, and specifically excludes liability for incidental or consequential loss or damage.