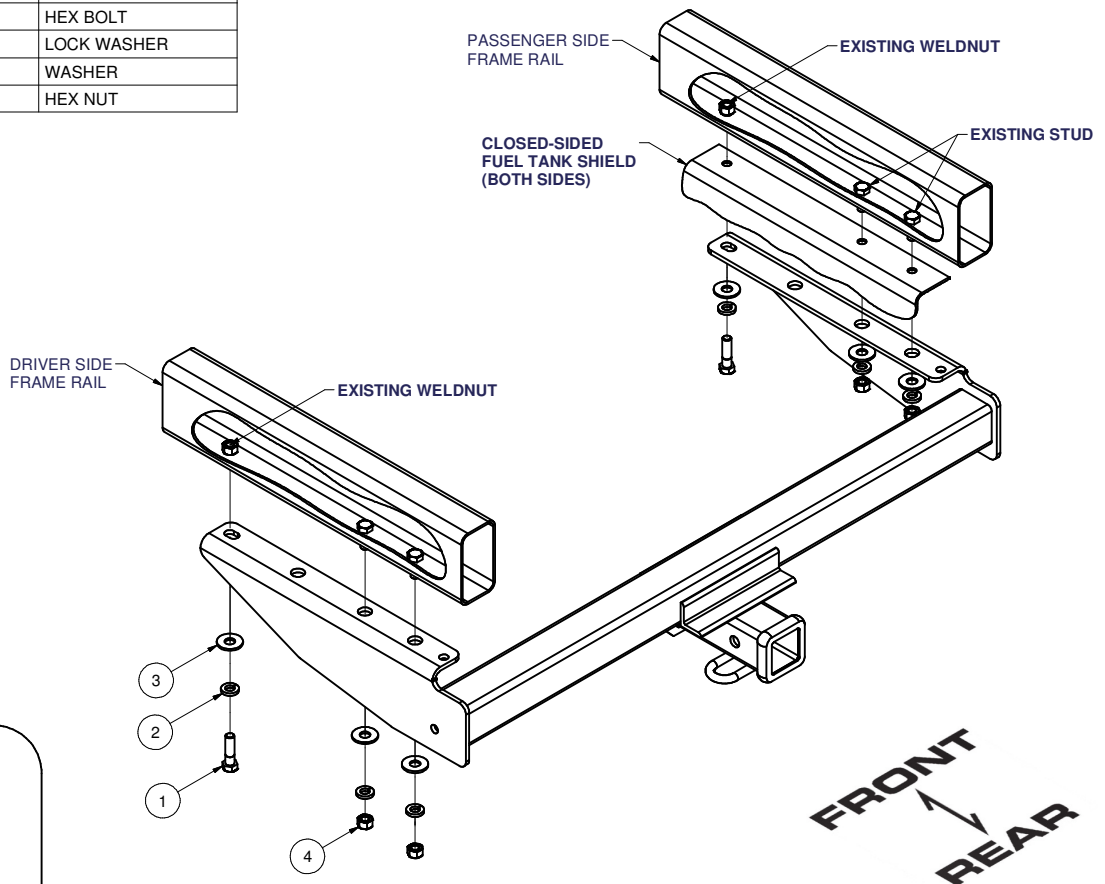


13048 / RRH13048**93-98 JEEP GRAND CHEROKEE****7/18/2012**

**GROSS LOAD CAPACITY WHEN USED AS A WEIGHT CARRYING HITCH: 5,000 LBS. TRAILER WEIGHT & 500 LBS. TONGUE WEIGHT.
 GROSS LOAD CAPACITY WHEN USED AS A WEIGHT DISTRIBUTION HITCH: 8,000 LBS. TRAILER WEIGHT & 800 LBS. TONGUE WEIGHT**

*****DO NOT EXCEED VEHICLE MANUFACTURER'S RECOMMENDED TOWING CAPACITY.*****

Parts List			
ITEM	QTY	PART NUMBER	DESCRIPTION
1	2	M12-1.75 x 45mm	HEX BOLT
2	6	1/2"	LOCK WASHER
3	6	1/2"	WASHER
4	4	M12 - 1.75	HEX NUT



HITCH WEIGHT: 40 LBS.

INSTALL TIME: 15 MINUTES

INSTALL NOTES:

- NO DRILLING REQUIRED

INSTALLATION STEPS

- 1) Raise hitch into position over the two existing studs at the end of the frame. Start lockwashers and nut hand tighten only.
- 2) Install hex head bolt, flat washer and lockwasher into the existing weld nut at the forward hole.
- 3) Torque all fasteners to 79 lb-ft.

***For Vehicles with sided fuel tank shield:**

- 1) Remove nuts and flat washers from the two studs at the end of the frame and discard
- 2) Remove bolt and washer assembly from forward attachment and discard.
- 3) Fuel tank shield should be sandwiched between the frame and side bracket.*
- 4) Install hex head bolt, flat washer and lockwasher into the existing weld nut at the forward hole.
- 5) Torque all fasteners to 79 lb-ft.

PERIODICALLY CHECK THIS RECEIVER HITCH TO ENSURE THAT ALL FASTENERS ARE TIGHT AND THAT ALL STRUCTURAL COMPONENTS ARE SOUND.

Curt Manufacturing Inc., warrants this product to be free of defects in material and/or workmanship at the time of retail purchase by the original purchaser. If the product is found to be defective, Curt Manufacturing Inc., may repair or replace the product, at their option, when the product is returned, prepaid, with proof of purchase. Alteration to, misuse of, or improper installation of this product voids the warranty. Curt Manufacturing Inc.'s liability is limited to repair or replacement of products found to be defective, and specifically excludes liability for incidental or consequential loss or damage.