

13046

SUBARU TRIBECA

08/14/2020

GROSS LOAD CAPACITY WHEN USED AS A WEIGHT CARRYING HITCH: 3,500 LBS. TRAILER WEIGHT & 350 LBS. TONGUE WEIGHT.
 GROSS LOAD CAPACITY WHEN USED AS A WEIGHT DISTRIBUTION HITCH: 4,000 LBS. TRAILER WEIGHT & 400 LBS. TONGUE WEIGHT

DO NOT EXCEED VEHICLE MANUFACTURER'S RECOMMENDED TOWING CAPACITY.

HAVING INSTALLATION QUESTIONS? CALL TECHNICAL SUPPORT AT 1-877-287-8634

Parts List			
ITEM	QTY	PART NUMBER	DESCRIPTION
1	2	10-10288	BOLT,CAR,1/2-13 UNC,2,GRD8,YZ
2	2	10-10473	BOLT,CAR,3/8-16 UNC,1-3/4,GRD8,YZ
3	2	20-00062	NUT,SER-FLANGE,1/2-13 UNC,GRD8,YZ
4	2	20-00102	NUT,SER-FLANGE,3/8-16 UNC,GRD8,YZ
5	2	CM-SP6	.250 x 1.00 x 3.00" SQUARE HOLE SPACER
6	2	CM-SP18	.250 x 1.00 x 2.00" SQUARE HOLE SPACER
7	2	3_8 FISHWIRE	3/8" FISHWIRE
8	2	1_2 FISHWIRE	1/2" FISHWIRE

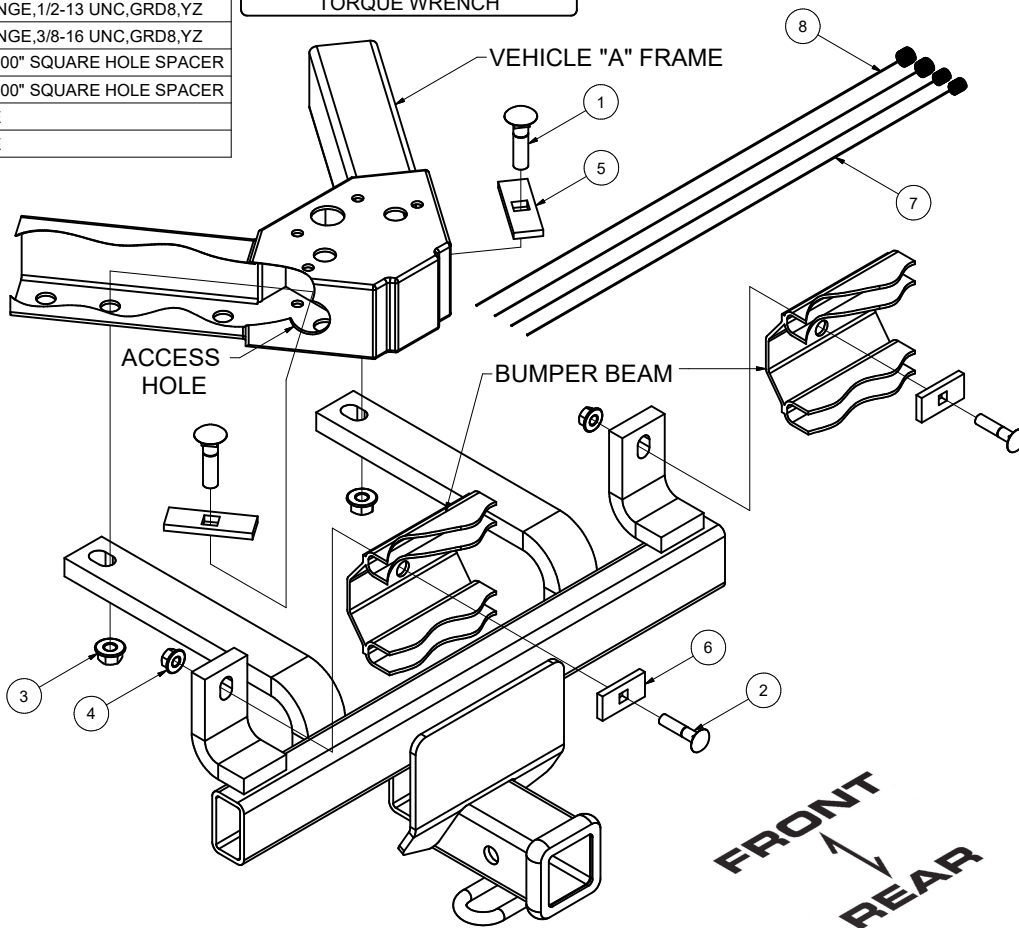
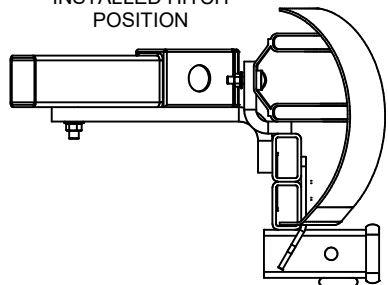
TOOLS REQUIRED
SOCKET WRENCH
9/16", 3/4" SOCKETS
SMALL FLATHEAD SCREWDRIVER
TORQUE WRENCH

FISHWIRE TECHNIQUE

INSERT COILED END OF FISHWIRE TOOL THROUGH HITCH MOUNTING HOLE IN VEHICLE FRAME RAIL AND OUT THE ACCESS HOLE. PASS COILED END OF FISHWIRE THROUGH SPACER AND THREAD BOLT INTO COIL. KINK WIRE TO KEEP SPACER SEPARATE FROM BOLT AS SHOWN. PULL FISHWIRE, SPACER, AND BOLT THROUGH FRAME AND OUT MOUNTING HOLE. USE FISHWIRE TO GUIDE HITCH DURING MOUNTING AND PREVENT LOSS OF BOLT / SPACER INSIDE FRAME RAIL.

NOTE: SOME VEHICLES MAY FISHWIRE THROUGH END OF FRAME

INSTALLED HITCH POSITION



HITCH WEIGHT: 32 LBS.

INSTALL TIME

PROFESSIONAL: 20 MINUTES

NOVICE (DIY): 40 MINUTES

INSTALL NOTES:

- LOWER SPARE TIRE
- NO DRILLING REQUIRED
- FISHWIRE HARDWARE

INSTALLATION STEPS

1. Lower spare tire from vehicle.
2. Remove (2) plastic fascia tabs using a small flathead screwdriver. These will be re-installed in STEP 7.
3. Fishwire 3/8" carriage bolts and SP18 spacers into position in vehicle's bumper beam using 3/8" fishwires. (See FISHWIRE TECHNIQUE above.) **Note:** Leave fishwires attached to prevent losing hardware in frame.
4. Raise hitch into position, remove fishwires and finger tighten 3/8" flange nuts.
4. Fishwire 1/2" carriage bolts and SP6 spacers into position in vehicle's "A" frame using 1/2" fishwires. (See FISHWIRE TECHNIQUE above.)
5. Install 1/2" flange nuts.
6. Torque all 3/8" hardware to 37 ft-lbs and all 1/2" hardware to 110 ft-lbs.
7. Re-install (2) plastic fascia tabs which were removed in STEP 2.
8. Raise spare tire back into position.

PERIODICALLY CHECK THIS RECEIVER HITCH TO ENSURE THAT ALL FASTENERS ARE TIGHT AND THAT ALL STRUCTURAL COMPONENTS ARE SOUND.

Curt Manufacturing Inc., warrants this product to be free of defects in material and/or workmanship at the time of retail purchase by the original purchaser. If the product is found to be defective, Curt Manufacturing Inc., may repair or replace the product, at their option, when the product is returned, prepaid, with proof of purchase. Alteration to, misuse of, or improper installation of this product voids the warranty. Curt Manufacturing Inc.'s liability is limited to repair or replacement of products found to be defective, and specifically excludes liability for incidental or consequential loss or damage.