

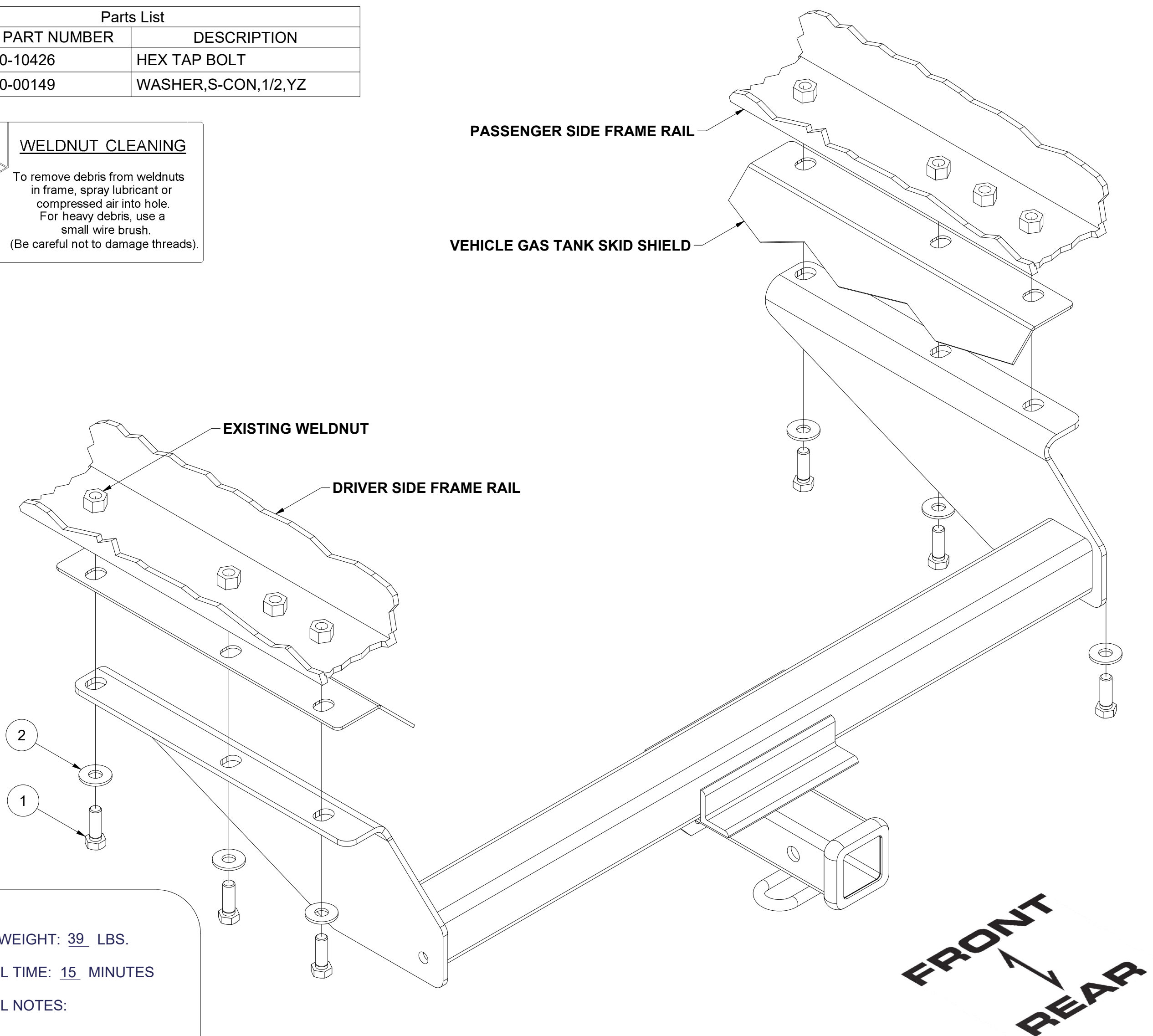
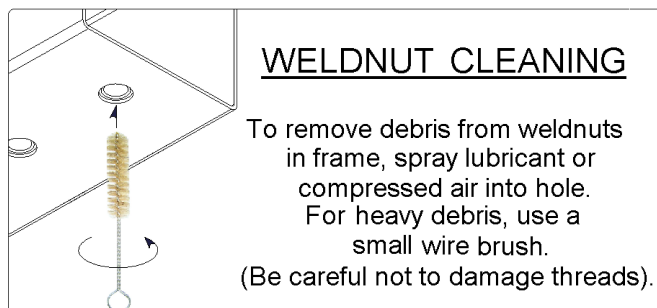
13044

01-07 JEEP LIBERTY

11/5/2020

GROSS LOAD CAPACITY WHEN USED AS A WEIGHT CARRYING HITCH: 5,000 LBS. TRAILER WEIGHT & 500 LBS. TONGUE WEIGHT.
*****DO NOT EXCEED VEHICLE MANUFACTURER'S RECOMMENDED TOWING CAPACITY.*****

Parts List			
ITEM	QTY	PART NUMBER	DESCRIPTION
1	6	10-10426	HEX TAP BOLT
2	6	30-00149	WASHER,S-CON,1/2,YZ



HITCH WEIGHT: 39 LBS.
INSTALL TIME: 15 MINUTES
INSTALL NOTES:

INSTALLATION STEPS

- NO DRILLING REQUIRED

- 1) Remove tow hook if present.
- 2) Remove the (6) M12 fasteners securing the fuel tank skid shield to the frame rails if equipped, discard fasteners.
- 4) Raise the hitch into position, sandwiching the fuel tank skid shield between the frame and the hitch, loosely install M12 fasteners with 1/2" conical washers.
- 5) Torque all M12 fasteners to 79 ft-lbs.

PERIODICALLY CHECK THIS RECEIVER HITCH TO ENSURE THAT ALL FASTENERS ARE TIGHT AND THAT ALL STRUCTURAL COMPONENTS ARE SOUND.

Curt Manufacturing Inc., warrants this product to be free of defects in material and/or workmanship at the time of retail purchase by the original purchaser. If the product is found to be defective, Curt Manufacturing Inc., may repair or replace the product, at their option, when the product is returned, prepaid, with proof of purchase. Alteration to, misuse of, or improper installation of this product voids the warranty. Curt Manufacturing Inc.'s liability is limited to repair or replacement of products found to be defective, and specifically excludes liability for incidental or consequential loss or damage.