

**13037**

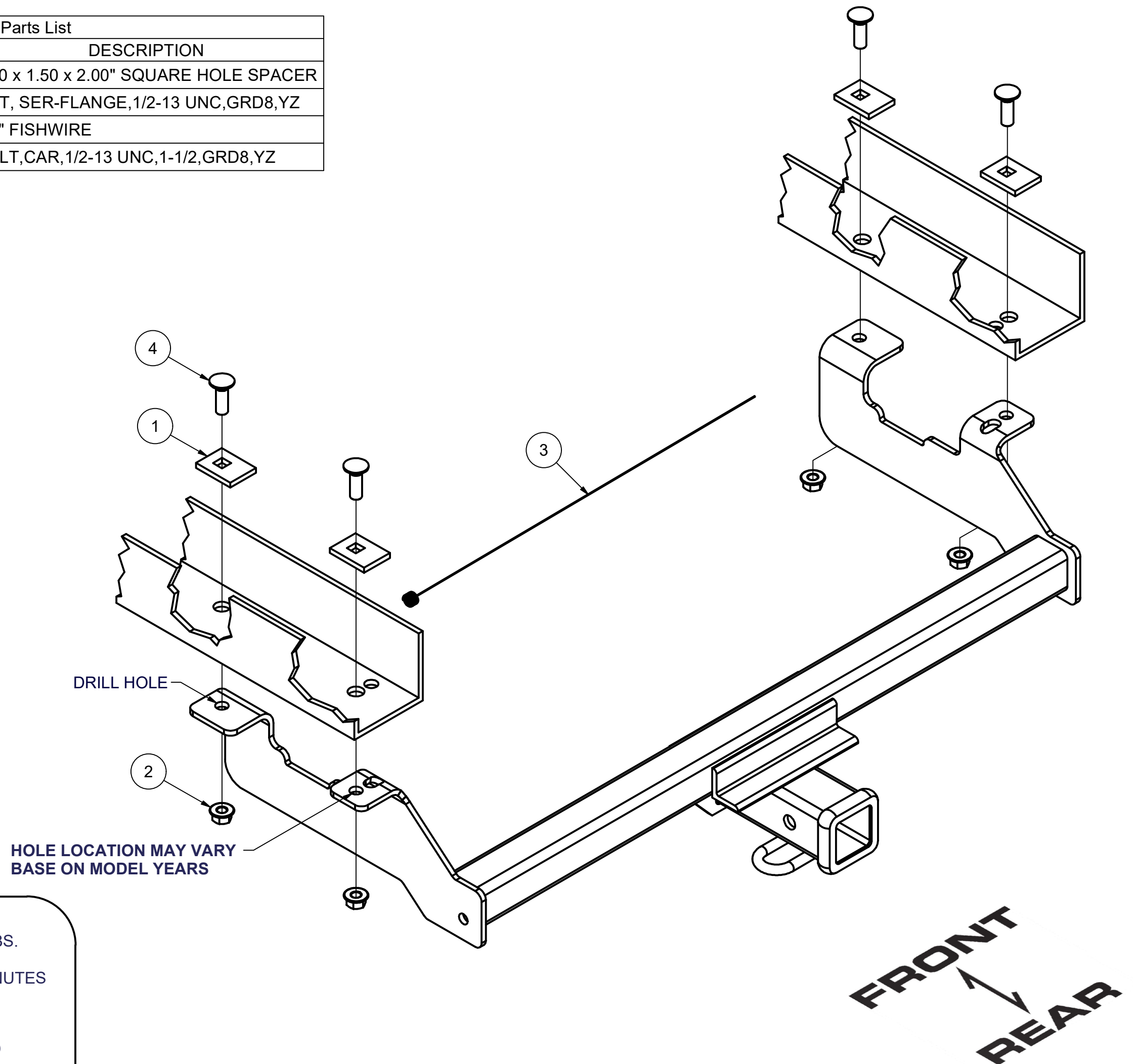
91-95 PLYMOUTH VOYAGER VAN  
 91-95 CHRYSLER TOWN & COUNTRY VAN (2WD ONLY)  
 91-95 DODGE CARAVAN VAN (2WD ONLY)

11/10/2020

GROSS LOAD CAPACITY WHEN USED AS A WEIGHT CARRYING HITCH: 4,000 LBS. TRAILER WEIGHT & 400 LBS. TONGUE WEIGHT.  
 GROSS LOAD CAPACITY WHEN USED AS A WEIGHT DISTRIBUTION HITCH: 6,000 LBS. TRAILER WEIGHT & 600 LBS. TONGUE WEIGHT

**\*\*\*DO NOT EXCEED VEHICLE MANUFACTURER'S RECOMMENDED TOWING CAPACITY.\*\*\***

Parts List				
ITEM	QTY	PART NUMBER	DESCRIPTION	
1	4	CM-SP1	.250 x 1.50 x 2.00" SQUARE HOLE SPACER	
2	4	20-00062	NUT, SER-FLANGE, 1/2-13 UNC, GRD8, YZ	
3	1	1_2 FISHWIRE	1/2" FISHWIRE	
4	4	10-10287	BOLT, CAR, 1/2-13 UNC, 1-1/2, GRD8, YZ	

HITCH WEIGHT: 30 LBS.INSTALL TIME: 30 MINUTES

INSTALL NOTES:

- DRILLING REQUIRED

## INSTALLATION STEPS

- 1) Remove spare tire from vehicle.
- 2) Wire fish the 1/2" x 1 1/2" carriage bolts and carriage spacers through side holes in frame and into the appropriate prepunched holes (hole locations may vary based on model years).
- 3) Raise the hitch into position, aligning with carriage bolts and fasten with corresponding offset spacer and 1/2" flange nut.
- 4) Using hitch as a template, drill the front holes to 1/2" on both sides of the frame.
- 5) Wire fish remaining 1/2" x 1 1/2" carriage bolts and carriage spacers through side holes in frame and into drilled holes in frame and fasten as shown.
- 6) Replace spare tire and torque all bolts to 110 lb.-ft.

**PERIODICALLY CHECK THIS RECEIVER HITCH TO ENSURE THAT ALL FASTENERS ARE TIGHT AND THAT ALL STRUCTURAL COMPONENTS ARE SOUND.**

Curt Manufacturing Inc., warrants this product to be free of defects in material and/or workmanship at the time of retail purchase by the original purchaser. If the product is found to be defective, Curt Manufacturing Inc., may repair or replace the product, at their option, when the product is returned, prepaid, with proof of purchase. Alteration to, misuse of, or improper installation of this product voids the warranty. Curt Manufacturing Inc.'s liability is limited to repair or replacement of products found to be defective, and specifically excludes liability for incidental or consequential loss or damage.