

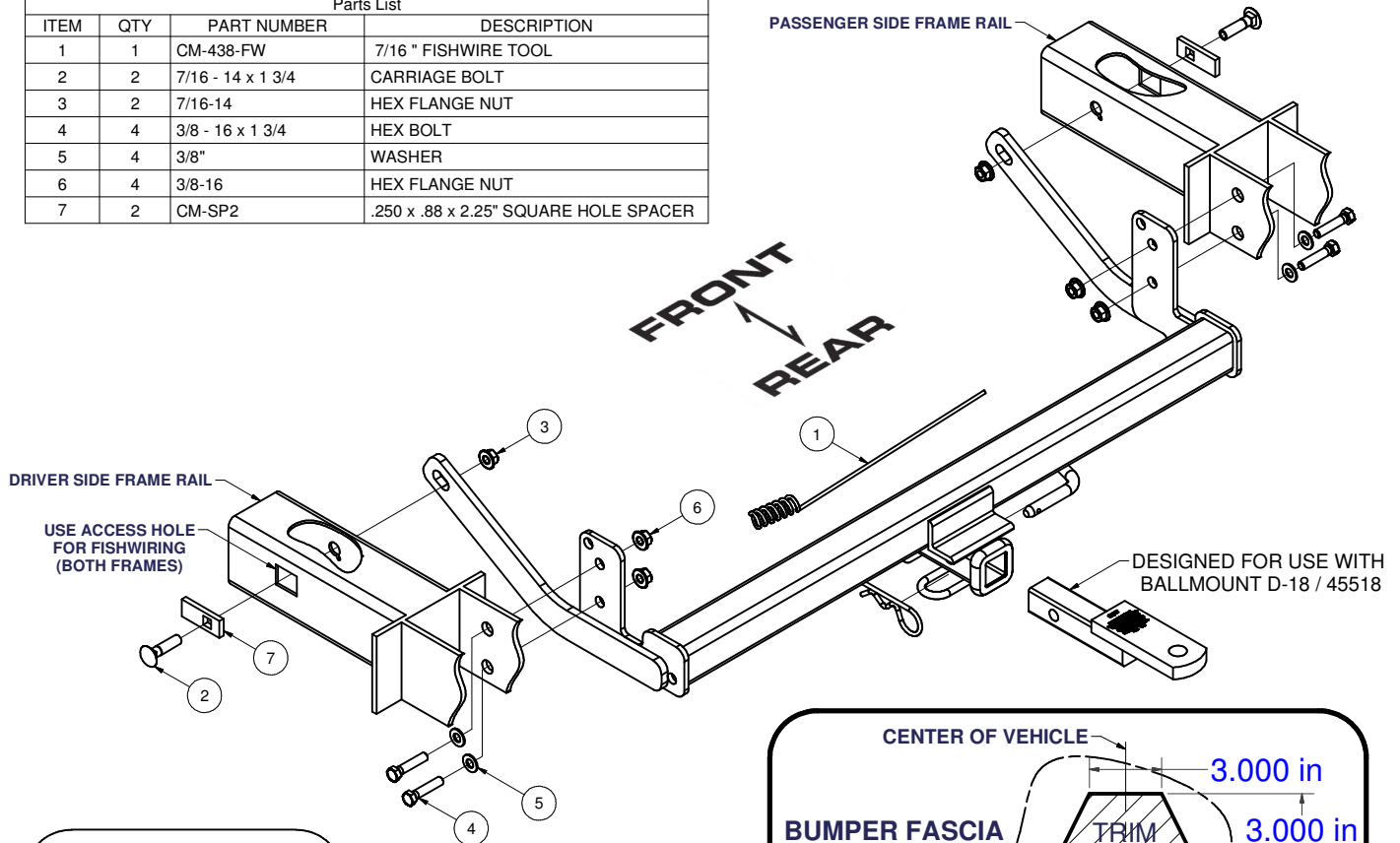
12265

98-04 CADILLAC SEVILLE

10/15/2012

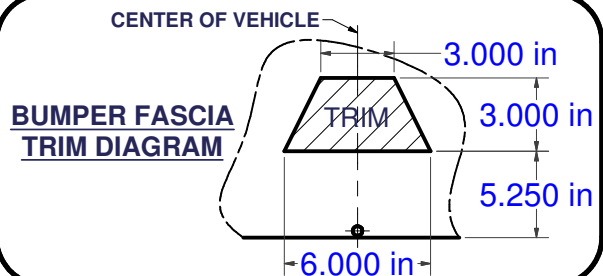
GROSS LOAD CAPACITY WHEN USED AS A WEIGHT CARRYING HITCH: 3,500 LBS. TRAILER WEIGHT & 350 LBS. TONGUE WEIGHT.
*****DO NOT EXCEED VEHICLE MANUFACTURER'S RECOMMENDED TOWING CAPACITY.*****

Parts List			
ITEM	QTY	PART NUMBER	DESCRIPTION
1	1	CM-438-FW	7/16" FISHWIRE TOOL
2	2	7/16 - 14 x 1 3/4	CARRIAGE BOLT
3	2	7/16-14	HEX FLANGE NUT
4	4	3/8 - 16 x 1 3/4	HEX BOLT
5	4	3/8"	WASHER
6	4	3/8-16	HEX FLANGE NUT
7	2	CM-SP2	.250 x .88 x 2.25" SQUARE HOLE SPACER

HITCH WEIGHT: 29 LBS.INSTALL TIME: 60 MINUTES

INSTALL NOTES:

- NO DRILLING REQUIRED
- TRIM BUMPER FASCIA
- LOWER EXHAUST
- FISHWIRING RECOMMENDED



INSTALLATION STEPS

- 1) Cut hole for receiver in fascia as shown above.
- 2) Remove (3) fascia push rivets from lower bumper fascia.
- 3) Lower (4) exhaust hangers, located by muffler and center of vehicle.
(Note: support exhaust while installing hitch)
- 4) Pull bumper fascia down and raise hitch into position, locating the receiver tube through hole in bumper fascia (step 1).
- 5) Install fasteners as shown above. (Note: fishwiring may ease installation of 7/16" fasteners)
- 6) Torque all 3/8" fasteners to 45 lb-ft, and all 7/16" fasteners to 70 lb-ft.
- 7) Re-install exhaust hangers and bumper fascia tabs (new push rivets are needed).

PERIODICALLY CHECK THIS RECEIVER HITCH TO ENSURE THAT ALL FASTENERS ARE TIGHT AND THAT ALL STRUCTURAL COMPONENTS ARE SOUND.

Curt Manufacturing Inc., warrants this product to be free of defects in material and/or workmanship at the time of retail purchase by the original purchaser. If the product is found to be defective, Curt Manufacturing Inc., may repair or replace the product, at their option, when the product is returned, prepaid, with proof of purchase. Alteration to, misuse of, or improper installation of this product voids the warranty. Curt Manufacturing Inc.'s liability is limited to repair or replacement of products found to be defective, and specifically excludes liability for incidental or consequential loss or damage.