

12228

TOYOTA MATRIX AND PONTIAC VIBE (Will not fit GT)

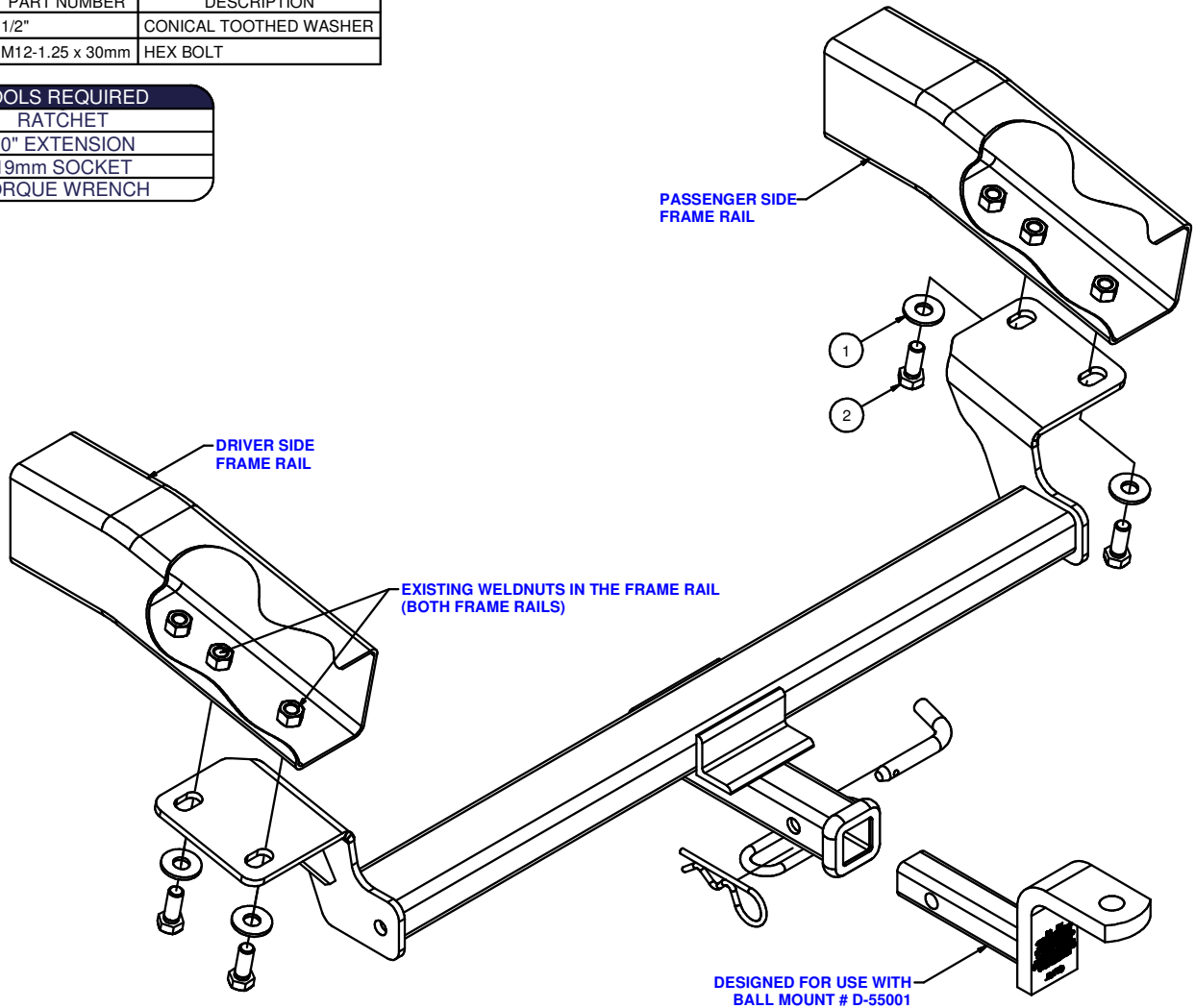
9/14/2012

GROSS LOAD CAPACITY WHEN USED AS A WEIGHT CARRYING HITCH: 2,500 LBS. TRAILER WEIGHT & 250 LBS. TONGUE WEIGHT.

DO NOT EXCEED VEHICLE MANUFACTURER'S RECOMMENDED TOWING CAPACITY.

Parts List			
ITEM	QTY	PART NUMBER	DESCRIPTION
1	4	1/2"	CONICAL TOOTHED WASHER
2	4	M12-1.25 x 30mm	HEX BOLT

TOOLS REQUIRED	
RATCHET	
10" EXTENSION	
19mm SOCKET	
TORQUE WRENCH	



HITCH WEIGHT: 23 LBS.

INSTALL TIME: 15 MINUTES

INSTALL NOTES:
 - NO DRILLING REQUIRED
 - HEAT SHIELD MODIFICATION
 MAY BE REQUIRED



INSTALLATION STEPS

Note: On Toyota Matrix XRS and XR Sport models there is lower valance that must be trimmed for hitch installation.

- 1) Raise hitch into position over the exhaust. Align the slots in the hitch with the weldnuts in the frame rails closest to the rear end of the vehicle.
- 2) Install hex bolts and conical tooth washers into weldnuts.
- 3) Torque bolts to 86 lb-ft.

PERIODICALLY CHECK THIS RECEIVER HITCH TO ENSURE THAT ALL FASTENERS ARE TIGHT AND THAT ALL STRUCTURAL COMPONENTS ARE SOUND.

Curt Manufacturing Inc., warrants this product to be free of defects in material and/or workmanship at the time of retail purchase by the original purchaser. If the product is found to be defective, Curt Manufacturing Inc., may repair or replace the product, at their option, when the product is returned, prepaid, with proof of purchase. Alteration to, misuse of, or improper installation of this product voids the warranty. Curt Manufacturing Inc.'s liability is limited to repair or replacement of products found to be defective, and specifically excludes liability for incidental or consequential loss or damage.