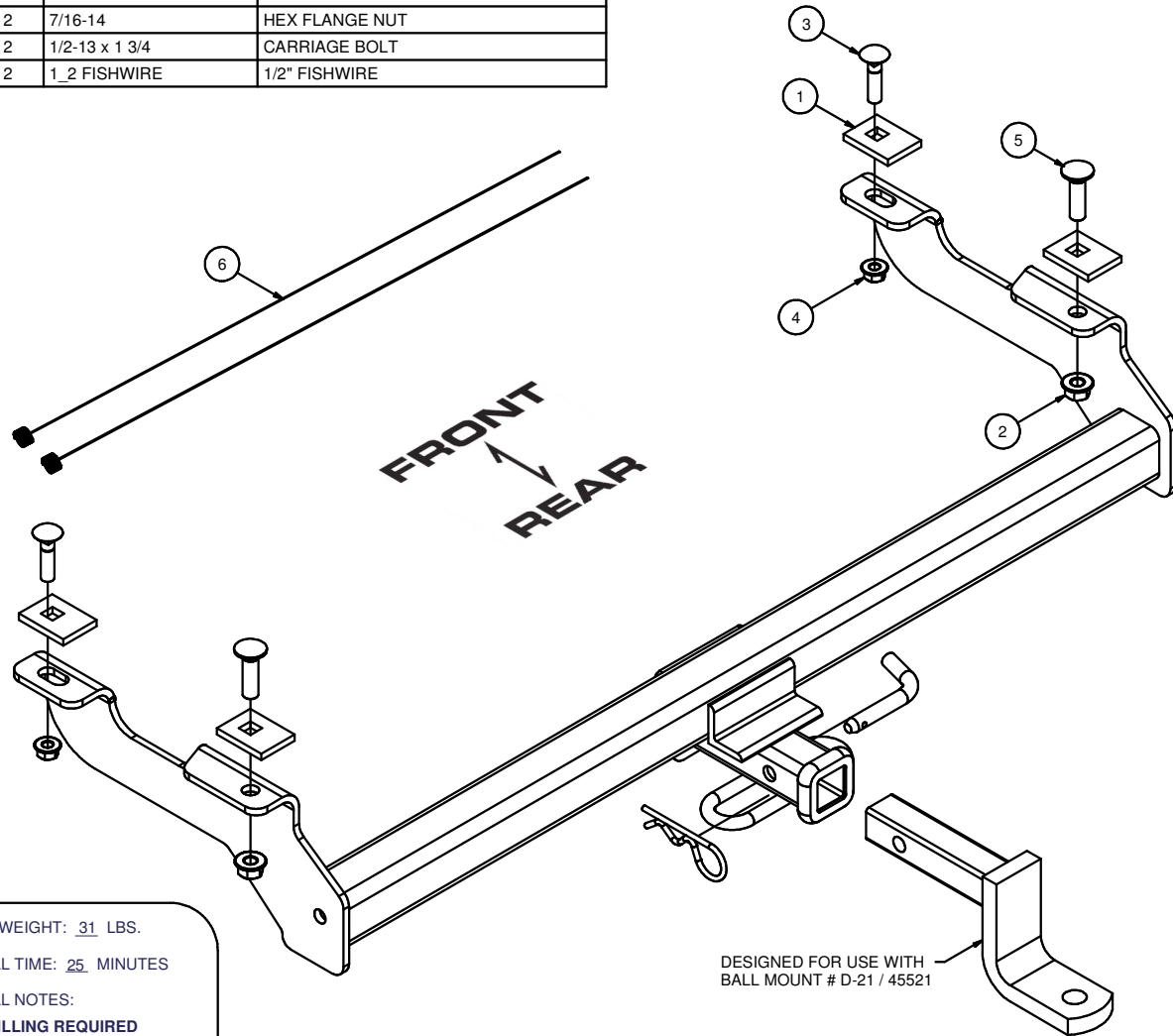


1214188-90 DODGE CARAVAN (2 WHEEL DRIVE ONLY), CHRYSLER TOWN & COUNTRY, 84-90 PLYMOUTH VOYAGER
91-95 DODGE CARAVAN (2 WHEEL DRIVE ONLY), CHRYSLER TOWN & COUNTRY, 91-95 PLYMOUTH VOYAGER

11/29/2012

**GROSS LOAD CAPACITY WHEN USED AS A WEIGHT CARRYING HITCH: 3,500 LBS. TRAILER WEIGHT & 350 LBS. TONGUE WEIGHT.
DO NOT EXCEED VEHICLE MANUFACTURER'S RECOMMENDED TOWING CAPACITY.**

Parts List			
ITEM	QTY	PART NUMBER	DESCRIPTION
1	4	CM-SP1	.250 x 1.50 x 2.00" SQUARE HOLE SPACER
2	2	HFN 1213	HEX FLANGE NUT
3	2	7/16 - 14 x 1 3/4	CARRIAGE BOLT
4	2	7/16-14	HEX FLANGE NUT
5	2	1/2-13 x 1 3/4	CARRIAGE BOLT
6	2	1_2 FISHWIRE	1/2" FISHWIRE

HITCH WEIGHT: 31 LBS.INSTALL TIME: 25 MINUTES

INSTALL NOTES:

NO DRILLING REQUIRED**INSTALLATION STEPS**

- 1) Raise the vehicle for access to the underside.
- 2) Fishwire 1/2 x 1.75" carriage bolt and square hole spacer through the access hole in the rear of the vehicle frame and out through the front hole in the frame rail. Repeat this procedure for the second slotted hole with 7/16 x 1.75" carriage bolt and square hole spacer.
- 3) Raise the hitch into position and be careful not to push the carriage bolts back into the frame rail.
- 4) Install 1/2" flange nuts and hand tighten.
- 5) Torque all 1/2" fasteners to 110 lb-ft, and all 7/16" fasteners to 70 lb-ft.

PERIODICALLY CHECK THIS RECEIVER HITCH TO ENSURE THAT ALL FASTENERS ARE TIGHT AND THAT ALL STRUCTURAL COMPONENTS ARE SOUND.

Curt Manufacturing Inc., warrants this product to be free of defects in material and/or workmanship at the time of retail purchase by the original purchaser. If the product is found to be defective, Curt Manufacturing Inc., may repair or replace the product, at their option, when the product is returned, prepaid, with proof of purchase. Alteration to, misuse of, or improper installation of this product voids the warranty. Curt Manufacturing Inc.'s liability is limited to repair or replacement of products found to be defective, and specifically excludes liability for incidental or consequential loss or damage.