

YEARS: 2011

MAKE: NISSAN

MODEL: QUEST

STYLE: MINIVAN

WARNING: NEVER EXCEED YOUR VEHICLE MANUFACTURER'S RECOMMENDED TOWING CAPACITY






WEIGHT CARRYING:
 TRAILER WEIGHT: 3,500 LBS.
 TONGUE WEIGHT: 350 LBS.

WARNING:
 WE RECOMMEND THE USE OF 18050 STABILIZING STRAPS FOR ALL NON-TRAILER (WHEEL-LESS) LOADS. PLEASE SEE THE CURT CATALOG OR VISIT US ONLINE AT WWW.CURTMFG.COM FOR FURTHER INFORMATION.

INSTALLATION TIME: MIN.

THE INSTALL TIME LISTED IS FOR PROFESSIONAL INSTALLERS. IF YOU ARE HESITANT TO UNDERTAKE THIS TASK ON YOUR OWN, CONTACT AN AUTHORIZED CURT INSTALLER FOR ADDITIONAL ASSISTANCE.

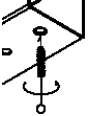

INSTALLATION REQUIRES:

 18mm 19mm SOCKET	 RATCHET	 9" SOCKET EXTENSION
 TORQUE WRENCH	 SAFETY GLASSES	

INSTALLATION TIPS:

1. BEFORE YOU BEGIN INSTALLATION, READ ALL INSTRUCTIONS THOROUGHLY.
2. TO EASE INSTALLATION, 2 PEOPLE MAY BE REQUIRED.
3. USING PROPER TOOLS WILL GREATLY IMPROVE THE QUALITY OF THE INSTALL AND REDUCE THE TIME REQUIRED.
4. NEED HELP OR HAVE SOME QUESTIONS? CALL TECHNICAL SUPPORT AT 800.798.0813

LEVEL OF DIFFICULTY: MODERATE

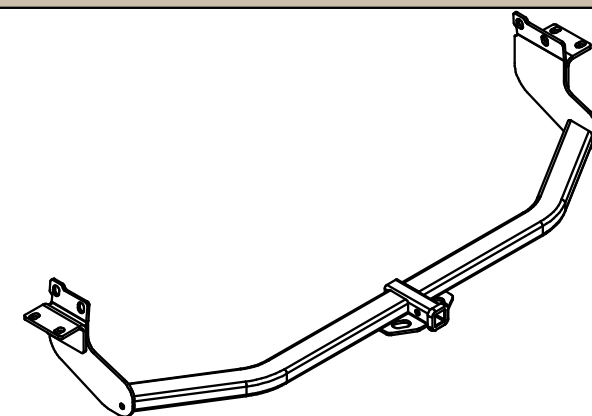
EASY	MODERATE	CHALLENGING
	WELDNUT CLEANING	
	NO DRILLING	

VEHICLE PHOTO:



REPRESENTATIVE PHOTO

HITCH ILLUSTRATION:



MAKE SURE YOUR HITCH MATCHES

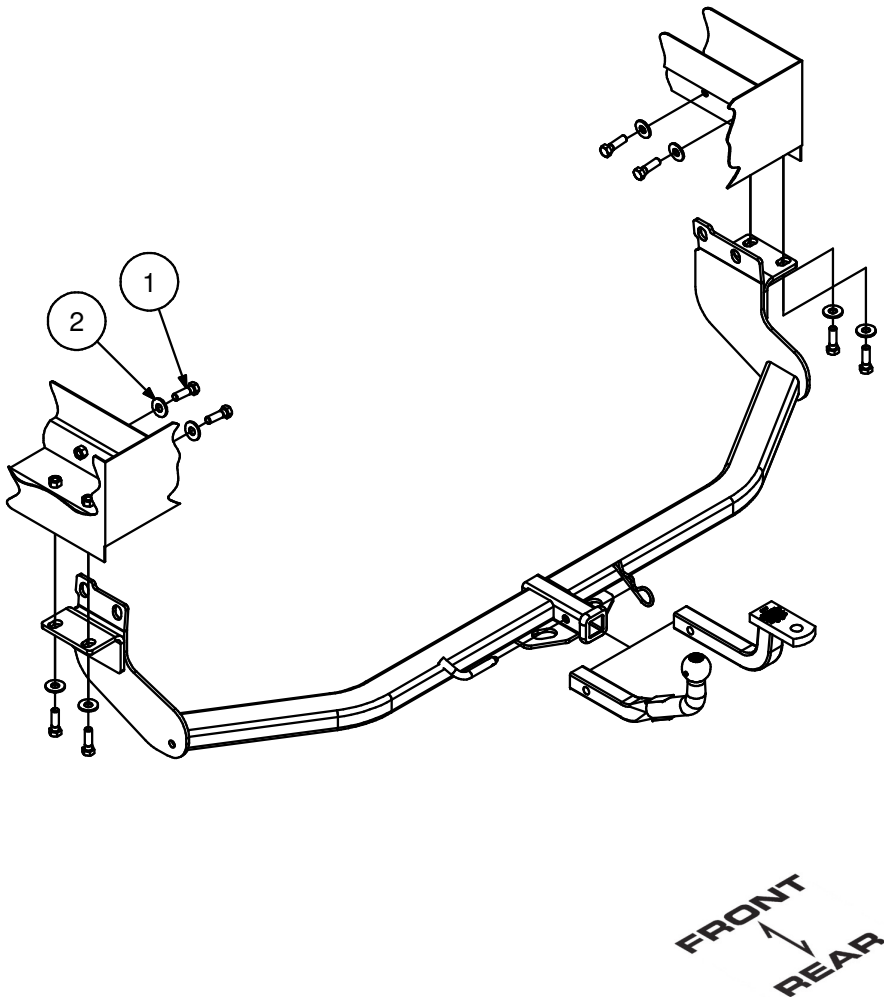
PERIODICALLY CHECK THIS RECEIVER HITCH TO ENSURE ALL FASTENERS ARE TIGHT AND ALL STRUCTURAL COMPONENTS ARE SOUND

CURT Manufacturing LLC. warrants this product to be free of defects in material and/or workmanship at the time of retail purchase by the original purchaser. If the product is found to be defective, Curt Manufacturing LLC. may repair or replace the product at their option, when the product is returned, prepaid, with proof of purchase. Alteration to, misuse of, or improper installation of this product voids the warranty. Curt Manufacturing LLC.'s liability is limited to repair or replacement of products found to be defective, and specifically excludes liability for incidental or consequential loss or damage.

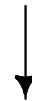
For more information log onto www.curtmfg.com, & for helpful towing tips log onto www.hitchinfo.com

INSTALLATION WALKTHROUGH:

Parts List			
ITEM	QTY	PART NUMBER	DESCRIPTION
1	8	M12 - 1.25 x 40 HEX	HEX BOLT
2	8	1/2"	CONICAL TOOTHED WASHER



1. Remove two rubber plugs from each side of trunk pan from inside of vehicle. This is done by carefully pulling back the carpet on each side.

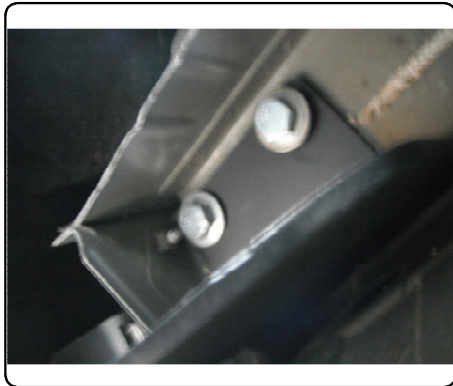


2. Remove tow hook by removing hardware through access holes in trunk pan than remove hardware from underneath vehicle. Put tow hook and hardware in bag and return to vehicle owner.



INSTALLATION WALKTHROUGH:

3. Raise hitch into position. Loosely install bottom bolts and washers.



4. Loosely install bolts and washers through access holes in trunk pan. Then torque all M12 hardware to 86 ft-lbs



5. Replace rubber plugs in trunk pan and tuck carpet back into original position.



6. installation is now complete



12061

NISSAN QUEST

11/26/2012

GROSS LOAD CAPACITY WHEN USED AS A WEIGHT CARRYING HITCH: 3,500 LBS. TRAILER WEIGHT & 350 LBS. TONGUE WEIGHT.

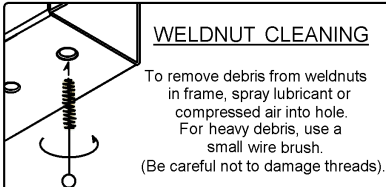
*****DO NOT EXCEED VEHICLE MANUFACTURER'S RECOMMENDED TOWING CAPACITY.*****

WARNING: ALL NON-TRAILER LOADS APPLIED TO THIS PRODUCT MUST BE SUPPORTED BY 18050 STABILIZING STRAPS.

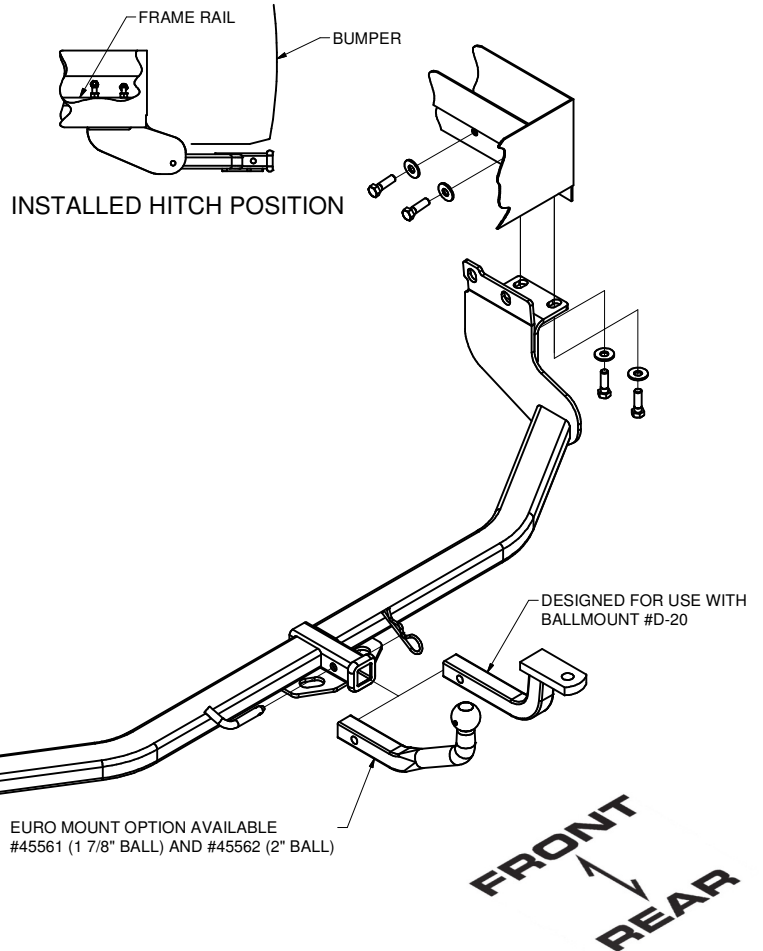
**** FAILURE TO PROPERLY SUPPORT NON-TRAILER LOADS WILL VOID PRODUCT WARRANTY****

HAVING INSTALLATION QUESTIONS? CALL TECHNICAL SUPPORT AT 1-800-798-0813

Parts List			
ITEM	QTY	PART NUMBER	DESCRIPTION
1	8	M12 - 1.25 x 40 HEX	HEX BOLT
2	8	1/2"	CONICAL TOOTHED WASHER



TOOLS REQUIRED	
18mm & 19mm SOCKET	
RATCHET	
9" EXTENSION	
TORQUE WRENCH	



HITCH WEIGHT: 45 LBS.

INSTALL TIME

PROFESSIONAL: 60 MINUTES

NOVICE (DIY): 120 MINUTES

INSTALL NOTES:

NO DRILLING REQUIRED

INSTALLATION STEPS

1. Remove two rubber plugs from each side of trunk pan from inside of vehicle. This is done by carefully pulling back the carpet on each side.
2. Remove tow hook by removing hardware through access holes in trunk pan and then remove hardware from underneath vehicle. Put tow hook and hardware in bag and return to vehicle owner.
3. Raise hitch into position. Loosely install bottom bolts and washers.
4. Loosely install bolts and washers through access holes in trunk pan.
5. Torque all M12 hardware to 86 ft-lbs.
6. Replace rubber plugs in trunk pan and tuck carpet back into original position.

PERIODICALLY CHECK THIS RECEIVER HITCH TO ENSURE THAT ALL FASTENERS ARE TIGHT AND THAT ALL STRUCTURAL COMPONENTS ARE SOUND.

Curt Manufacturing LLC., warrants this product to be free of defects in material and/or workmanship at the time of retail purchase by the original purchaser. If the product is found to be defective, Curt Manufacturing LLC., may repair or replace the product, at their option, when the product is returned, prepaid, with proof of purchase. Alteration to, misuse of, or improper installation of this product voids the warranty. Curt Manufacturing LLC.'s liability is limited to repair or replacement of products found to be defective, and specifically excludes liability for incidental or consequential loss or damage.