

12035

99-01 CHRYSLER LHS, 02-04 CONCORDE

10/12/2012

GROSS LOAD CAPACITY WHEN USED AS A WEIGHT CARRYING HITCH: 3,500 LBS. TRAILER WEIGHT & 350 LBS. TONGUE WEIGHT.

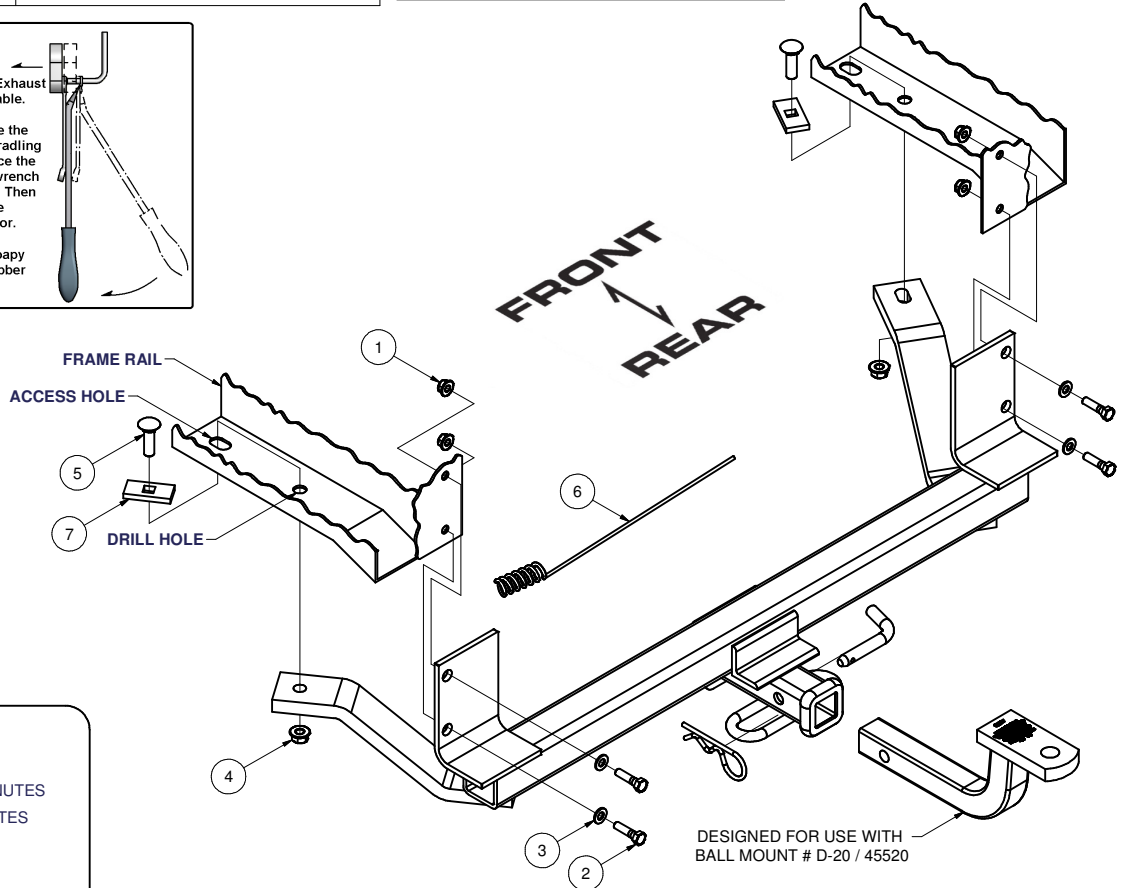
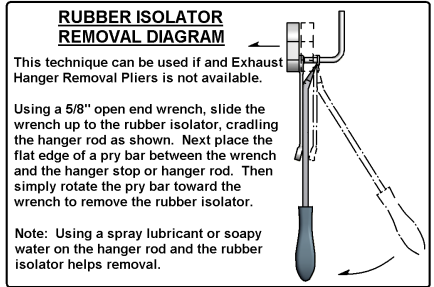
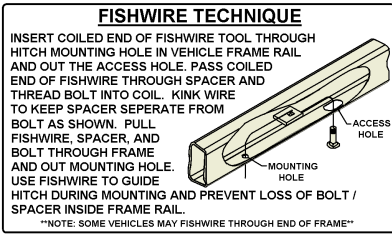
\*\*\*DO NOT EXCEED VEHICLE MANUFACTURER'S RECOMMENDED TOWING CAPACITY.\*\*\*

WARNING: ALL NON-TRAILER LOADS APPLIED TO THIS PRODUCT MUST BE SUPPORTED BY AUXILIARY STABILIZING STRAPS.

\*\* FAILURE TO PROPERLY SUPPORT NON-TRAILER LOADS WILL VOID PRODUCT WARRANTY\*\*

HAVING INSTALLATION QUESTIONS? CALL TECHNICAL SUPPORT AT 1-800-798-0813

Parts List				
ITEM	QTY	PART NUMBER	DESCRIPTION	
1	4	5/16-18	HEX FLANGE NUT	
2	4	5/16-18 x 1 1/4 LG.	HEX BOLT	
3	4	5/16"	WASHER	
4	2	7/16-14	LARGE HEX FLANGE NUT	
5	2	7/16-14 x 1 1/2	CARRIAGE BOLT	
6	1	CM-438-FW	7/16" FISHWIRE TOOL	
7	2	CM-SP7	.250 x 1.00 x 2.00" SQUARE HOLE SPACER	



**HITCH WEIGHT:** 37 LBS.  
**INSTALL TIME**  
 PROFESSIONAL: 45 MINUTES  
 NOVICE (DIY): 90 MINUTES  
**INSTALL NOTES:**  
 -DRILLING REQUIRED  
 -LOWER EXHAUST

**INSTALLATION STEPS**

- 1) Lower vehicle exhaust.
  - 2) Remove the four existing bolts from rear panel.
  - 3) Raise hitch into position and install rearmost fasteners.
  - 4) On driver's side frame rail use hitch as a template and drill a 1/2" hole in bottom of frame rail.
  - 5) Fishwire remaining fasteners through access slots in each frame rail. (Enlarge slots if necessary)
  - 6) Reattach vehicle exhaust. Torque 7/16" fasteners to 70 lb.-ft. and 3/8" fasteners to 45 lb.-ft.
- PERIODICALLY CHECK THIS RECEIVER HITCH TO ENSURE THAT ALL FASTENERS ARE TIGHT AND THAT ALL STRUCTURAL COMPONENTS ARE SOUND.**

Curt Manufacturing Inc., warrants this product to be free of defects in material and/or workmanship at the time of retail purchase by the original purchaser. If the product is found to be defective, Curt Manufacturing Inc., may repair or replace the product, at their option, when the product is returned, prepaid, with proof of purchase. Alteration to, misuse of, or improper installation of this product voids the warranty. Curt Manufacturing Inc.'s liability is limited to repair or replacement of products found to be defective, and specifically excludes liability for incidental or consequential loss or damage.