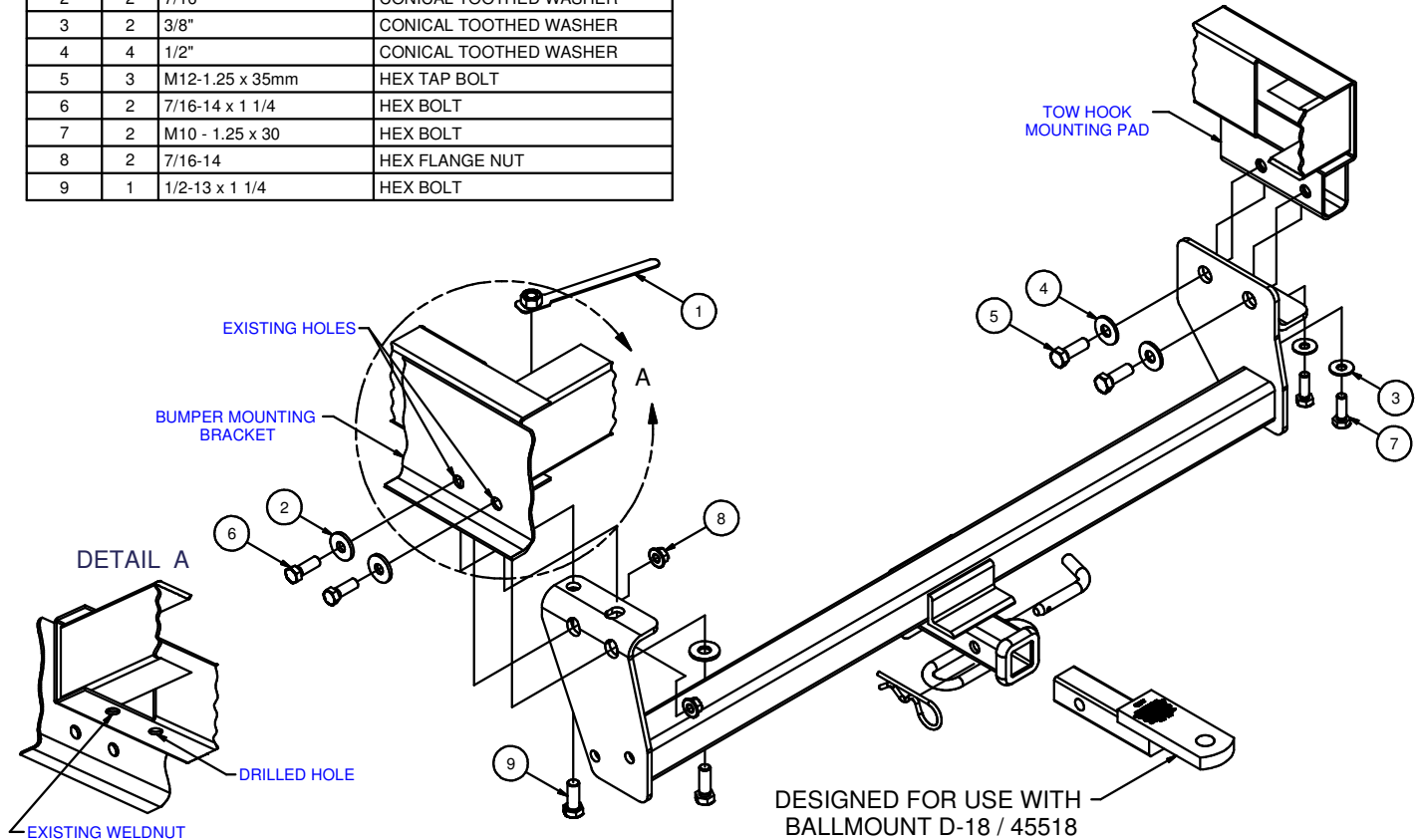


**12021****91-97 ISUZU RODEO & 94-97 HONDA PASSPORT**

11/19/2012

GROSS LOAD CAPACITY WHEN USED AS A WEIGHT CARRYING HITCH: 3,500 LBS. TRAILER WEIGHT & 350 LBS. TONGUE WEIGHT.  
**\*\*\*DO NOT EXCEED VEHICLE MANUFACTURER'S RECOMMENDED TOWING CAPACITY.\*\*\***

Parts List			
ITEM	QTY	PART NUMBER	DESCRIPTION
1	1	1/2-13	HANDLE NUT
2	2	7/16"	CONICAL TOOTHED WASHER
3	2	3/8"	CONICAL TOOTHED WASHER
4	4	1/2"	CONICAL TOOTHED WASHER
5	3	M12-1.25 x 35mm	HEX TAP BOLT
6	2	7/16-14 x 1 1/4	HEX BOLT
7	2	M10 - 1.25 x 30	HEX BOLT
8	2	7/16-14	HEX FLANGE NUT
9	1	1/2-13 x 1 1/4	HEX BOLT

HITCH WEIGHT: 30 LBS.INSTALL TIME: 40 MINUTES

INSTALL NOTES:

- DRILLING REQ.

**INSTALLATION STEPS**

1. Remove and return tow hook and fasteners to owner.
2. Position hitch on vehicle as shown. Align holes in hitch with existing weldnuts in vehicle frame (driver's side) and tow hook mounting pad (passenger's side). Loosely install fasteners as shown.
3. Using the hitch as a template, drill a 1/2" hole into the frame on the drivers side of the vehicle.
4. Install handle nut through end of frame and install remaining fasteners as shown.
5. Torque M10 fasteners to 48 lb.-ft. Torque M12 fasteners to 86 lb.-ft. Torque 7/16" fasteners to 70 lb.-ft. Torque 1/2" fasteners to 110 lb.-ft.

**PERIODICALLY CHECK THIS RECEIVER HITCH TO ENSURE THAT ALL FASTENERS ARE TIGHT AND THAT ALL STRUCTURAL COMPONENTS ARE SOUND.**

Curt Manufacturing Inc., warrants this product to be free of defects in material and/or workmanship at the time of retail purchase by the original purchaser. If the product is found to be defective, Curt Manufacturing Inc., may repair or replace the product, at their option, when the product is returned, prepaid, with proof of purchase. Alteration to, misuse of, or improper installation of this product voids the warranty. Curt Manufacturing Inc.'s liability is limited to repair or replacement of products found to be defective, and specifically excludes liability for incidental or consequential loss or damage.