

11765

00-05 AUDI TT

11/26/2012

GROSS LOAD CAPACITY WHEN USED AS A WEIGHT CARRYING HITCH: 2,000 LBS. TRAILER WEIGHT & 200 LBS. TONGUE WEIGHT.

DO NOT EXCEED VEHICLE MANUFACTURER'S RECOMMENDED TOWING CAPACITY.

WARNING: ALL NON-TRAILER LOADS APPLIED TO THIS PRODUCT MUST BE SUPPORTED BY 18050 STABILIZING STRAPS.

** FAILURE TO PROPERLY SUPPORT NON-TRAILER LOADS WILL VOID PRODUCT WARRANTY**

HAVING INSTALLATION QUESTIONS? CALL TECHNICAL SUPPORT AT 1-800-798-0813

Parts List				
ITEM	QTY	PART NUMBER	DESCRIPTION	
1	2	7/16-14 x 1 1/2	CARRIAGE BOLT	
2	2	CM-SP2	.250 x .88 x 2.25" SQUARE HOLE SPACER	
3	2	7/16 LOCK WASHER	HELICAL LOCK WASHER	
4	2	7/16-14	HEX NUT	
5	1	7_16 FISHWIRE	7/16" FISHWIRE	

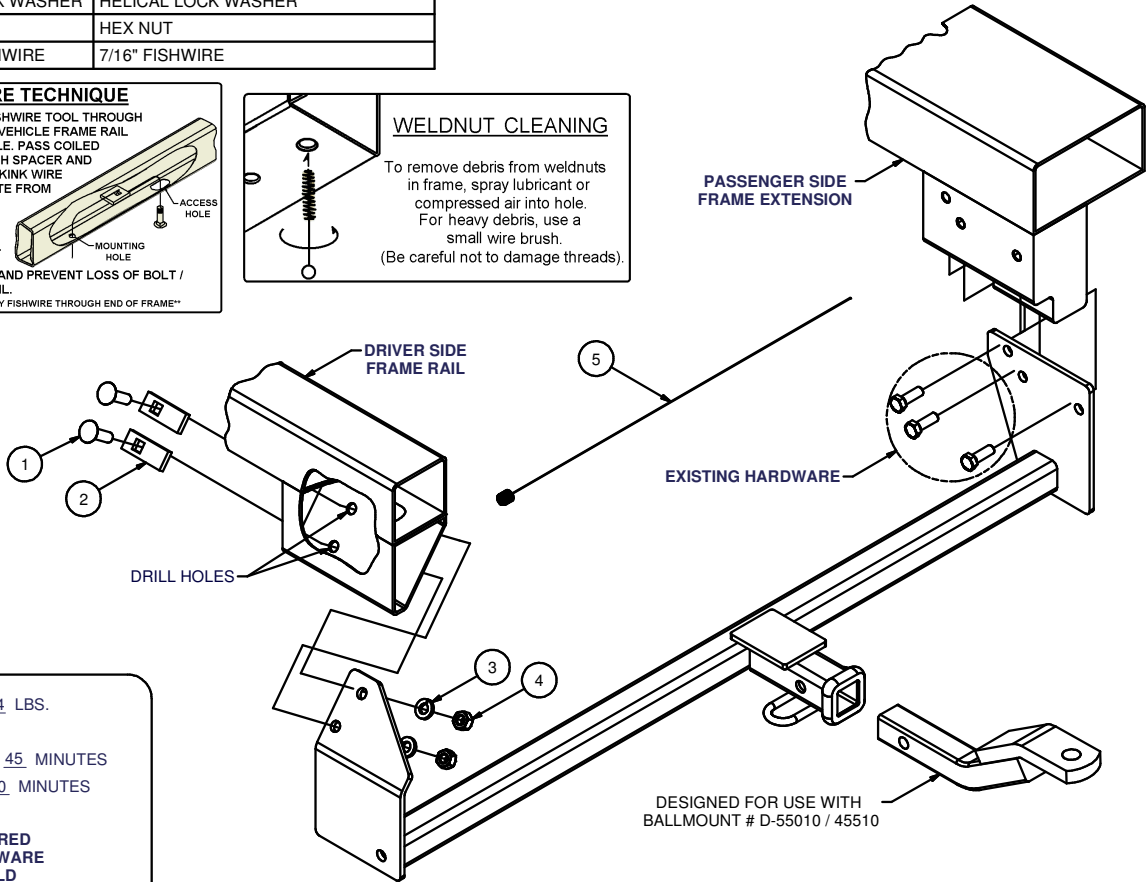
FISHWIRE TECHNIQUE

INSERT COILED END OF FISHWIRE TOOL THROUGH HITCH MOUNTING HOLE IN VEHICLE FRAME RAIL AND OUT THE ACCESS HOLE. PASS COILED END OF FISHWIRE THROUGH SPACER AND THREAD BOLT INTO COIL. KINK WIRE TO KEEP SPACER SEPARATE FROM BOLT AS SHOWN. PULL FISHWIRE, SPACER, AND BOLT THROUGH FRAME AND OUT MOUNTING HOLE. USE FISHWIRE TO GUIDE HITCH DURING MOUNTING AND PREVENT LOSS OF BOLT / SPACER INSIDE FRAME RAIL.

NOTE: SOME VEHICLES MAY FISHWIRE THROUGH END OF FRAME

WELDNUT CLEANING

To remove debris from weldnuts in frame, spray lubricant or compressed air into hole. For heavy debris, use a small wire brush. (Be careful not to damage threads).



HITCH WEIGHT: 24 LBS.

INSTALL TIME

PROFESSIONAL: 45 MINUTES

NOVICE (DIY): 90 MINUTES

INSTALL NOTES:

- DRILLING REQUIRED
- FISHWIRE HARDWARE
- TRIM HEAT SHIELD

INSTALLATION STEPS

1. This hitch fits in place of the tow bracket bolted to the passenger side frame extensions and to the tapered surface below the frame rail on the driver's side. Two holes will need to be drilled at the tapered surface of the driver's side.
2. Remove the car's tow bracket (four bolts) and return them to the car's owner. Three of these bolts will be reused. Position the hitch at the passenger side frame extensions and loosely install fasteners as shown.
3. Position the hitch against the tapered surface on the driver's side and adjust the hitch so it is level across the car. Using the hitch as a template, drill two places for 7/16" diameter fasteners. NOTE: The heat shield may need to be modified slightly.
4. Fishwire carriage bolts and CM-SP2 spacers inside tapered surface of driver side frame rail. Attach bolts with hex nuts and lock washers as shown. (See FISHWIRE TECHNIQUE diagram.)
5. Torque all 7/16" hardware to 70 lb-ft.

PERIODICALLY CHECK THIS RECEIVER HITCH TO ENSURE THAT ALL FASTENERS ARE TIGHT AND THAT ALL STRUCTURAL COMPONENTS ARE SOUND.

Curt Manufacturing Inc., warrants this product to be free of defects in material and/or workmanship at the time of retail purchase by the original purchaser. If the product is found to be defective, Curt Manufacturing Inc., may repair or replace the product, at their option, when the product is returned, prepaid, with proof of purchase. Alteration to, misuse of, or improper installation of this product voids the warranty. Curt Manufacturing Inc.'s liability is limited to repair or replacement of products found to be defective, and specifically excludes liability for incidental or consequential loss or damage.