

**11764****00-02 DAEWOO NUBIRA SEDAN**

12/10/2012

GROSS LOAD CAPACITY WHEN USED AS A WEIGHT CARRYING HITCH: 2,000 LBS. TRAILER WEIGHT &amp; 200 LBS. TONGUE WEIGHT.

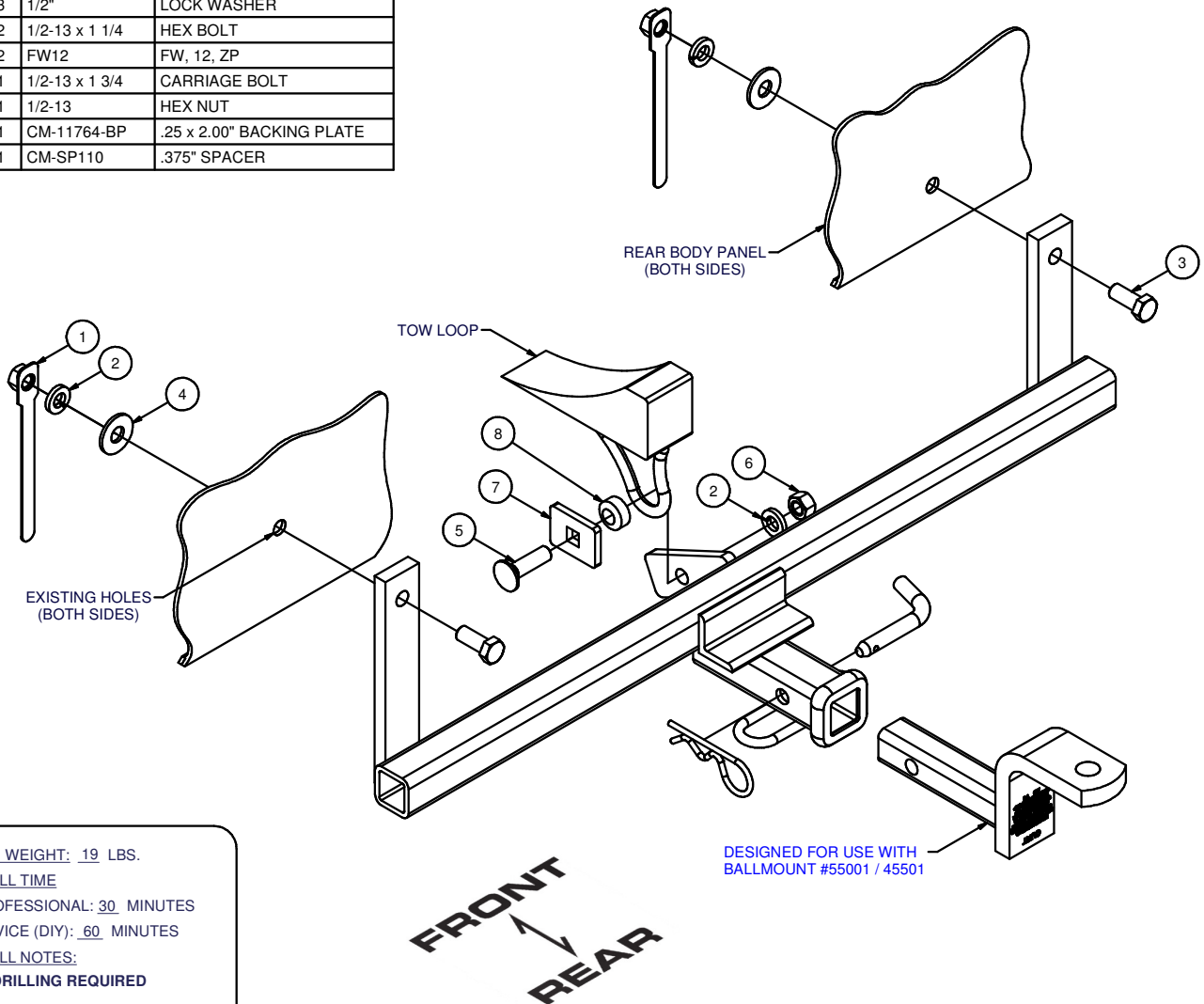
**\*\*\*DO NOT EXCEED VEHICLE MANUFACTURER'S RECOMMENDED TOWING CAPACITY.\*\*\***

WARNING: ALL NON-TRAILER LOADS APPLIED TO THIS PRODUCT MUST BE SUPPORTED BY 18050 STABILIZING STRAPS.

**\*\* FAILURE TO PROPERLY SUPPORT NON-TRAILER LOADS WILL VOID PRODUCT WARRANTY\*\***

HAVING INSTALLATION QUESTIONS? CALL TECHNICAL SUPPORT AT 1-800-798-0813

Parts List			
ITEM	QTY	PART NUMBER	DESCRIPTION
1	2	1/2-13	HANDLE NUT
2	3	1/2"	LOCK WASHER
3	2	1/2-13 x 1 1/4	HEX BOLT
4	2	FW12	FW, 12, ZP
5	1	1/2-13 x 1 3/4	CARRIAGE BOLT
6	1	1/2-13	HEX NUT
7	1	CM-11764-BP	.25 x 2.00" BACKING PLATE
8	1	CM-SP110	.375" SPACER



HITCH WEIGHT: 19 LBS.

INSTALL TIME

PROFESSIONAL: 30 MINUTES

NOVICE (DIY): 60 MINUTES

INSTALL NOTES:

- NO DRILLING REQUIRED

DESIGNED FOR USE WITH  
BALLMOUNT #55001 / 45501**INSTALLATION STEPS**

1. The driver and passenger side arms of this hitch fit to the rear side of the vehicle's rear body panel at (2) existing holes. The hitch center bracket will fit to the driver's side of the vehicle tow loop.
2. First attach the hitch to the vehicle body panel on the driver and passenger sides of the vehicle at existing holes in panel. Use fasteners provided and loosely attach hitch at this time.
3. Place CM-11764-FB into tow loop and fasten the hitch bracket against tow loop using CM-11764-BP and fasteners as shown.
4. Torque all 1/2" fasteners to 110 lb-ft.

**PERIODICALLY CHECK THIS RECEIVER HITCH TO ENSURE THAT ALL FASTENERS ARE TIGHT AND THAT ALL STRUCTURAL COMPONENTS ARE SOUND.**

Curt Manufacturing Inc., warrants this product to be free of defects in material and/or workmanship at the time of retail purchase by the original purchaser. If the product is found to be defective, Curt Manufacturing Inc., may repair or replace the product, at their option, when the product is returned, prepaid, with proof of purchase. Alteration to, misuse of, or improper installation of this product voids the warranty. Curt Manufacturing Inc.'s liability is limited to repair or replacement of products found to be defective, and specifically excludes liability for incidental or consequential loss or damage.