

11734

## 88-94 JAGUAR XJ6 AND XJ12

12/10/2012

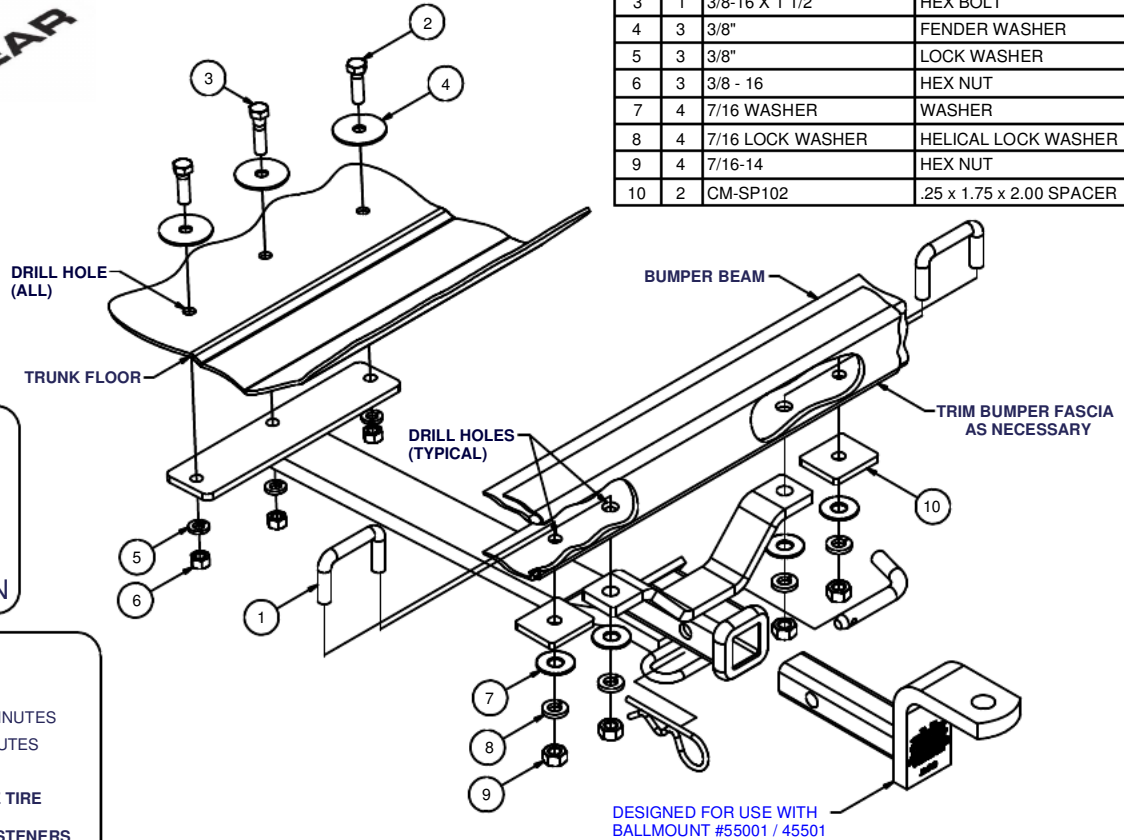
GROSS LOAD CAPACITY WHEN USED AS A WEIGHT CARRYING HITCH: 2,000 LBS. TRAILER WEIGHT &amp; 200 LBS. TONGUE WEIGHT.

**\*\*\*DO NOT EXCEED VEHICLE MANUFACTURER'S RECOMMENDED TOWING CAPACITY.\*\*\***

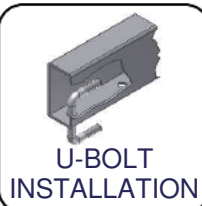
WARNING: ALL NON-TRAILER LOADS APPLIED TO THIS PRODUCT MUST BE SUPPORTED BY 18050 STABILIZING STRAPS.

**\*\* FAILURE TO PROPERLY SUPPORT NON-TRAILER LOADS WILL VOID PRODUCT WARRANTY\*\***

HAVING INSTALLATION QUESTIONS? CALL TECHNICAL SUPPORT AT 1-877-287-8634

FRONT  
↕  
REAR

Parts List			
ITEM	QTY	PART NUMBER	DESCRIPTION
1	2	7/16-14 x 1.63 x 2.50 C-C	SQ. U-BOLT
2	2	3/8 - 16 x 1 1/4	HEX BOLT
3	1	3/8-16 X 1 1/2	HEX BOLT
4	3	3/8"	FENDER WASHER
5	3	3/8"	LOCK WASHER
6	3	3/8 - 16	HEX NUT
7	4	7/16 WASHER	WASHER
8	4	7/16 LOCK WASHER	HELICAL LOCK WASHER
9	4	7/16-14	HEX NUT
10	2	CM-SP102	.25 x 1.75 x 2.00 SPACER

HITCH WEIGHT: 16 LBS.INSTALL TIMEPROFESSIONAL: 45 MINUTESNOVICE (DIY): 90 MINUTESINSTALL NOTES:

- TEMP. REMOVE SPARE TIRE
- DRILLING REQUIRED
- SILICONE AROUND FASTENERS

**INSTALLATION STEPS**

1. Remove the contents of the vehicle's trunk. Hold the hitch in place under the trunk floor and the rear bumper; centered and square with the vehicle. Mark the bumper fascia for trimming so that the hitch bracket fits directly against the metal of the rear bumper.
2. Trim away the bumper fascia as necessary. With the hitch in position, mark the trunk floor and metal surface of the bumper for the mounting holes. Measure and mark the additional holes in the bumper for rectangular U-bolts. Centerpunch marked holes.
3. Drill holes in the trunk floor for 3/8" diameter bolts. Drill the holes in the bumper beam for 7/16" bolts.
4. Work two rectangular U-bolts into bumper holes as shown. Mount the hitch to the vehicle as shown.
5. Torque all 3/8" fasteners to 45 lb-ft, and all 7/16" fasteners to 70 lb-ft. DO NOT USE IMPACT WRENCH ON U-BOLTS.
6. Use silicone caulk around fasteners in trunk to seal out water and exhaust fumes.
7. Reinstall the contents of the vehicle's trunk.

**PERIODICALLY CHECK THIS RECEIVER HITCH TO ENSURE THAT ALL FASTENERS ARE TIGHT AND THAT ALL STRUCTURAL COMPONENTS ARE SOUND.**

Curt Manufacturing Inc., warrants this product to be free of defects in material and/or workmanship at the time of retail purchase by the original purchaser. If the product is found to be defective, Curt Manufacturing Inc., may repair or replace the product, at their option, when the product is returned, prepaid, with proof of purchase. Alteration to, misuse of, or improper installation of this product voids the warranty. Curt Manufacturing Inc.'s liability is limited to repair or replacement of products found to be defective, and specifically excludes liability for incidental or consequential loss or damage.