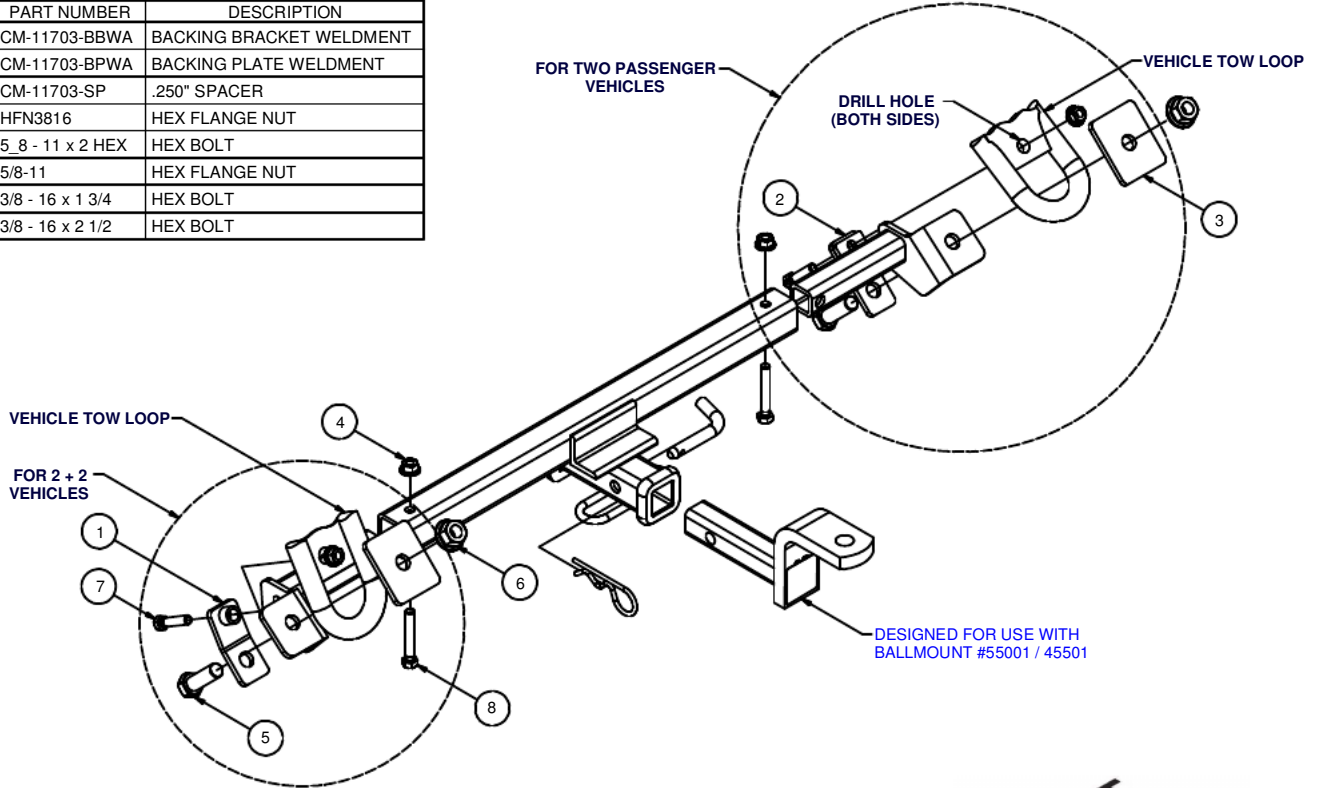


11703**90-96 NISSAN 300ZX****12/10/2012****GROSS LOAD CAPACITY WHEN USED AS A WEIGHT CARRYING HITCH: 1,500 LBS. TRAILER WEIGHT & 150 LBS. TONGUE WEIGHT.*******DO NOT EXCEED VEHICLE MANUFACTURER'S RECOMMENDED TOWING CAPACITY.*******WARNING: ALL NON-TRAILER LOADS APPLIED TO THIS PRODUCT MUST BE SUPPORTED BY 18050 STABILIZING STRAPS.****** FAILURE TO PROPERLY SUPPORT NON-TRAILER LOADS WILL VOID PRODUCT WARRANTY******HAVING INSTALLATION QUESTIONS? CALL TECHNICAL SUPPORT AT 1-877-287-8634****Parts List**

ITEM	QTY	PART NUMBER	DESCRIPTION
1	2	CM-11703-BBWA	BACKING BRACKET WELDMENT
2	2	CM-11703-BPWA	BACKING PLATE WELDMENT
3	2	CM-11703-SP	.250" SPACER
4	4	HFN3816	HEX FLANGE NUT
5	2	5/8 - 11 x 2 HEX	HEX BOLT
6	2	5/8-11	HEX FLANGE NUT
7	2	3/8 - 16 x 1 3/4	HEX BOLT
8	2	3/8 - 16 x 2 1/2	HEX BOLT

**HITCH WEIGHT: 18 LBS.****INSTALL TIME**PROFESSIONAL: 30 MINUTESNOVICE (DIY): 60 MINUTES**INSTALL NOTES:****DRILLING REQUIRED****INSTALLATION STEPS**

1. This hitch includes a tubular center section and driver / passenger side telescoping end brackets mounting to the center section and to the vehicle's tie down loops. Installer must insert end brackets into center section and drill each end bracket with 13/32" diameter holes through center section tube holes and fasten as shown. BEFORE drilling, make certain end brackets are oriented as shown in diagram and measurement across 5/8" diameter in end brackets match center to center distance between tie down loops.
2. After bolting hitch end brackets to center section, position hitch on vehicle tie down loops as shown. NOTE: 2+2 car requires using CM-11703-BBWA (ITEM 1) spacer. Two passenger car requires using CM-11703-BPWA (ITEM 2) spacer directly against end brackets as shown.
3. First fasten hitch to loops using fasteners and spacers as shown. Using the hitch as a template, drill tow loops for 3/8" hardware. Install hardware as shown. NOTE: Backing plates/brackets must be in place to have full attaching strength of hitch.
4. Torque all 5/8" hardware to 210 lb.-ft. and all 3/8" hardware to 45 lb.-ft.

PERIODICALLY CHECK THIS RECEIVER HITCH TO ENSURE THAT ALL FASTENERS ARE TIGHT AND THAT ALL STRUCTURAL COMPONENTS ARE SOUND.

Curt Manufacturing Inc., warrants this product to be free of defects in material and/or workmanship at the time of retail purchase by the original purchaser. If the product is found to be defective, Curt Manufacturing Inc., may repair or replace the product, at their option, when the product is returned, prepaid, with proof of purchase. Alteration to, misuse of, or improper installation of this product voids the warranty. Curt Manufacturing Inc.'s liability is limited to repair or replacement of products found to be defective, and specifically excludes liability for incidental or consequential loss or damage.