

11674**1995-98 PORSCHE 911**

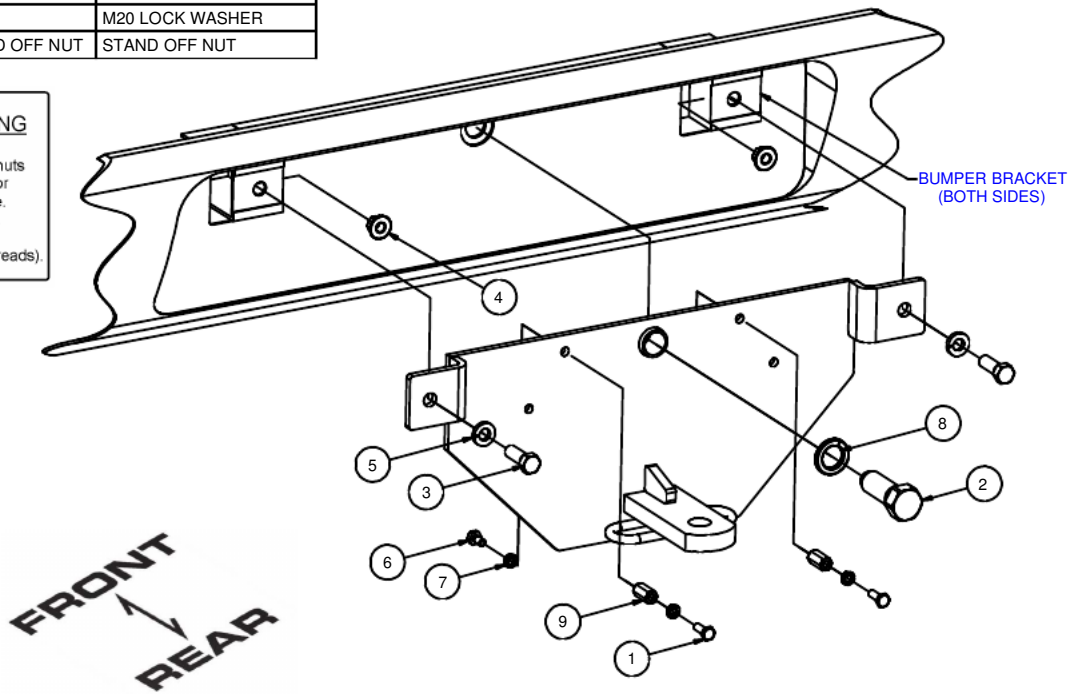
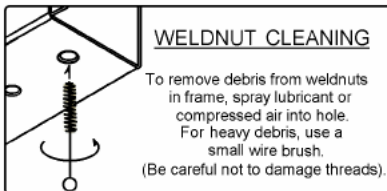
12/14/2012

GROSS LOAD CAPACITY WHEN USED AS A WEIGHT CARRYING HITCH: 1,000 LBS. TRAILER WEIGHT & 100 LBS. TONGUE WEIGHT.

*****DO NOT EXCEED VEHICLE MANUFACTURER'S RECOMMENDED TOWING CAPACITY.*******WARNING: ALL NON-TRAILER LOADS APPLIED TO THIS PRODUCT MUST BE SUPPORTED BY AUXILIARY STABILIZING STRAPS.****** FAILURE TO PROPERLY SUPPORT NON-TRAILER LOADS WILL VOID PRODUCT WARRANTY****

HAVING INSTALLATION QUESTIONS? CALL TECHNICAL SUPPORT AT 1-877-287-8634

Parts List			
ITEM	QTY	PART NUMBER	DESCRIPTION
1	2	1_4 - 20 x 3_4 HEX	HEX BOLT
2	1	M20 - 3.0 X 57	TOW LOOP BOLT
3	2	7/16-14 x 1 1/4	HEX BOLT
4	2	7/16-14	HEX FLANGE NUT
5	2	7/16 LOCK WASHER	HELICAL LOCK WASHER
6	2	1_4 - 20 X 1_2	HEX BOLT
7	4	1_4 LOCK WASHER	1/4" LOCK WASHER
8	1	M20 LOCK WASHER	M20 LOCK WASHER
9	2	1_4 - 20 X 7_8 HEX STAND OFF NUT	STAND OFF NUT



HITCH WEIGHT: 12 LBS.

INSTALL TIME

PROFESSIONAL: 45 MINUTES

NOVICE (DIY): 90 MINUTES

INSTALL NOTES:

- DRILLING REQUIRED
- REMOVE LICENSE PLATE
- REMOVE BUMPERETTE COVERS

INSTALLATION STEPS

1. Remove license plate and bracket from bumper.
2. Remove bumperette covers on each side of the license plate.
3. Using the 1/4" x 1/2" bolts (Item #6) and 1/4" lock washer (Item #7) attach the stand off nuts to the front of the hitch plate as shown. (Torque to 8 ft-lbs)
4. Attach the hitch to the car with the 20mm bolt as shown.
5. Using the hitch as a template, drill holes in the bumper brackets for the 7/16" hardware.
6. Install all 7/16" hardware as shown.
7. Torque 20 mm bolts to 382 ft-lbs and 7/16" hardware to 70 ft-lbs.
8. Reattach license plate to the hitch, on the stand off nuts, using the remaining hardware.

PERIODICALLY CHECK THIS RECEIVER HITCH TO ENSURE THAT ALL FASTENERS ARE TIGHT AND THAT ALL STRUCTURAL COMPONENTS ARE SOUND.

Curt Manufacturing Inc., warrants this product to be free of defects in material and/or workmanship at the time of retail purchase by the original purchaser. If the product is found to be defective, Curt Manufacturing Inc., may repair or replace the product, at their option, when the product is returned, prepaid, with proof of purchase. Alteration to, misuse of, or improper installation of this product voids the warranty. Curt Manufacturing Inc.'s liability is limited to repair or replacement of products found to be defective, and specifically excludes liability for incidental or consequential loss or damage.