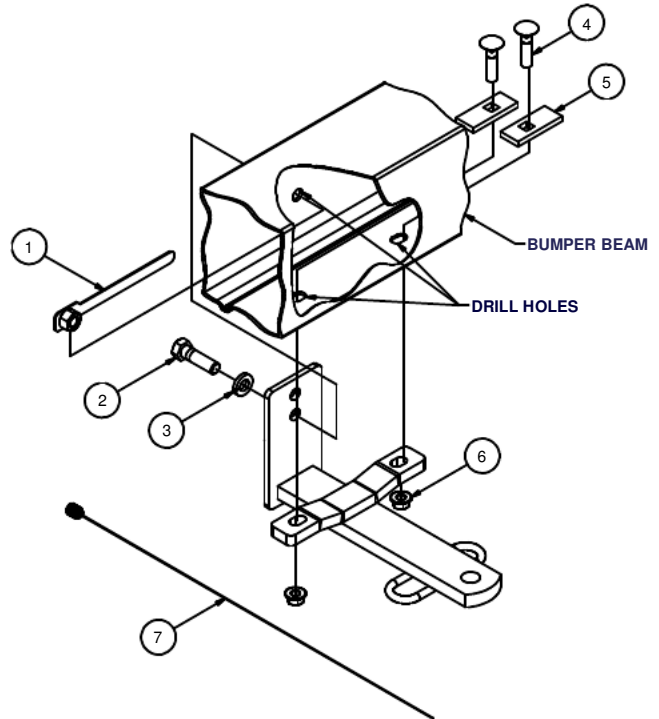
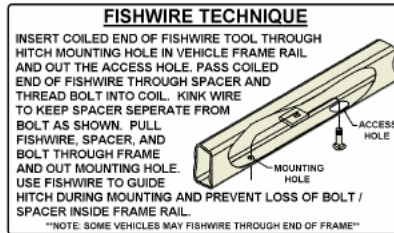


**11642****81-84 TOYOTA CRESSIDA****3/25/2013****GROSS LOAD CAPACITY WHEN USED AS A WEIGHT CARRYING HITCH: 1,000 LBS. TRAILER WEIGHT & 100 LBS. TONGUE WEIGHT.****\*\*\*DO NOT EXCEED VEHICLE MANUFACTURER'S RECOMMENDED TOWING CAPACITY.\*\*\*****WARNING: ALL NON-TRAILER LOADS APPLIED TO THIS PRODUCT MUST BE SUPPORTED BY 18050 STABILIZING STRAPS.****\*\* FAILURE TO PROPERLY SUPPORT NON-TRAILER LOADS WILL VOID PRODUCT WARRANTY\*\*****HAVING INSTALLATION QUESTIONS? CALL TECHNICAL SUPPORT AT 1-877-287-8634**

Parts List				
ITEM	QTY	PART NUMBER	DESCRIPTION	
1	1	1/2-13	HANDLE NUT	
2	1	1/2-13 x 1 3/4	HEX BOLT	
3	1	1/2"	LOCK WASHER	
4	2	7/16 - 14 x 1 3/4	CARRIAGE BOLT	
5	2	CM-SP11	.250 x 1.00 x 2.50" SQUARE HOLE SPACER	
6	2	7/16-14	HEX FLANGE NUT	
7	1	7_16 FISHWIRE	7/16" FISHWIRE	

**HITCH WEIGHT: 8 LBS.****INSTALL TIME**PROFESSIONAL: 45 MINUTESNOVICE (DIY): 90 MINUTES**INSTALL NOTES:**

- REMOVE BUMPER
- FASCIA TRIMMING REQUIRED
- DRILLING REQUIRED
- FISHWIRE HARDWARE

**INSTALLATION STEPS**

1. Remove the rear bumper by removing (4) to (6) screws located under the rubber covers inside the truck/hatch area, or under the vehicle near the bumper ends. Also check for small screws located at the ends of the bumper near the fender and remove them.
2. Locate and mark the vehicle's centerline on the metal U-channel that retains the fascia at the bottom of the bumper. An 8" section (4" each side of center) of the channel must be cut away. Also cut away an 8" length of the rubber fascia so the hitch bracket will fasten directly against the steel bumper. Reinstall the remaining parts of the U-channel.
3. Place the hitch as shown properly centered and square on the steel bumper beam. Using the hitch as a template, drill the bottom of the bumper beam in (2) places for 7/16" hardware. Existing weldnuts may be present on the bottom of the bumper beam. Use a drift pin and hammer to remove the weldnuts and enlarge the holes for 7/16" hardware.
4. Place 7/16" carriage bolts and CM-SP11 spacers through holes from inside the bumper. A 1" access hole may need to be drilled into the bumper beam to allow installation of the 7/16" carriage bolts and spacers. Use the supplied fishwire to pull the carriage bolts and spacers into position. Carefully position hitch over bolts and fasten as shown.
5. Drill the bumper beam using the best hole in the hitch plate for (1) 1/2" bolt. Ignore extra hole in the plate. Secure the hitch using fasteners as shown with handle nut inside the bumper beam.
6. Torque all 7/16" fasteners to 70 lb-ft, and all 1/2" fasteners to 110 lb-ft.
7. Reinstall the bumper in the reverse of the order that it was removed.

**PERIODICALLY CHECK THIS RECEIVER HITCH TO ENSURE THAT ALL FASTENERS ARE TIGHT AND THAT ALL STRUCTURAL COMPONENTS ARE SOUND.**

Curt Manufacturing Inc., warrants this product to be free of defects in material and/or workmanship at the time of retail purchase by the original purchaser. If the product is found to be defective, Curt Manufacturing Inc., may repair or replace the product, at their option, when the product is returned, prepaid, with proof of purchase. Alteration to, misuse of, or improper installation of this product voids the warranty. Curt Manufacturing Inc.'s liability is limited to repair or replacement of products found to be defective, and specifically excludes liability for incidental or consequential loss or damage.